

# BACKWATER VALVE

## » 869 SERIES

### SPECIFICATION

Sioux Chief 869 Series backwater valve shall be installed where necessary in drainage systems. Backwater valve shall be installed on horizontal drainage lines for reducing damage from sewer backup. Backwater valve shall have a stepped design to provide adequate fall to encourage flow. Flapper shall have an elastomer seal and allow unrestricted unidirectional flow while reducing the straining of effluent. Designed in accordance with ASME A112.14.1-2003

### MATERIALS

**Valve body:** ABS, PVC

**Valve lid:** ABS, PVC

**Flapper:** ABS, PVC

**Sealing gasket:** elastomer

**Extension sleeve:** PVC

**Extension sleeve collar:** PVC

**Extension sleeve lid:** PVC

### BACKFLOW PRESSURE

Sustains backflow pressure up to 5 PSI

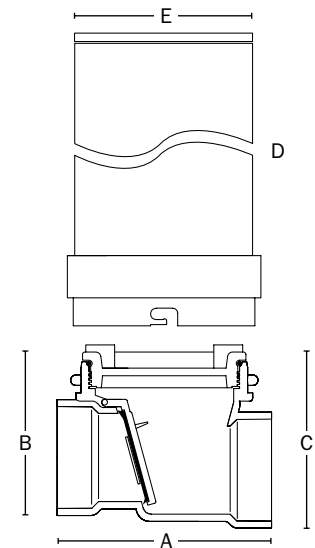
### DIMENSIONS

- A:** Width 5"
- B:** Inlet height 4"
- C:** Outlet height 4 $\frac{1}{4}$ "
- D:** Sleeve height 16"
- E:** Sleeve dia. 4 $\frac{1}{4}$ "
- Connection 2" Sch. 40 hub

ITEM # SUBMITTED	_____
JOB NAME	_____
LOCATION	_____
ENGINEER	_____
CONTRACTOR	_____
PO#	_____ TAG _____



869-2P



Create Item Number

## 869-2A

e.g. 869-2P: 2" PVC connection DWV backwater valve

### VALVE TYPE A

A = ABS valve/connection

P = PVC valve/connection

PS = PVC valve with extension sleeve kit (collar/sleeve/lid)

### ACCESSORIES (ORDER SEPARATELY)

869-23 = Extension sleeve kit (collar/sleeve/lid)