

Gas Test Gauge Body

Job Name _____
 Location _____
 Engineer _____
 Contractor _____
 Tag _____ PO# _____

Specifications

- Brass construction
- 3/4" and 1/4" FPT connections

Applications

Gas

Materials

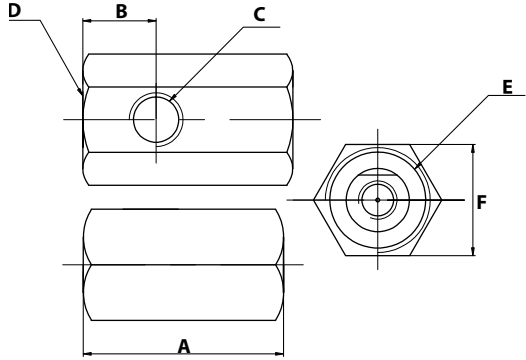
Steel

Dimensions and Product Offering

PART NO.	A	B	C	D	E	F
G64001	2.07"	.69"	1/4 FNPT	1/8 FNPT	3/4 FNPT	1.10"
G64020	2.07"	.69"	1/4 FNPT	.43 (SQ)	3/4 FNPT	1.10"



G64001



**G64020
with Schrader Valve**

