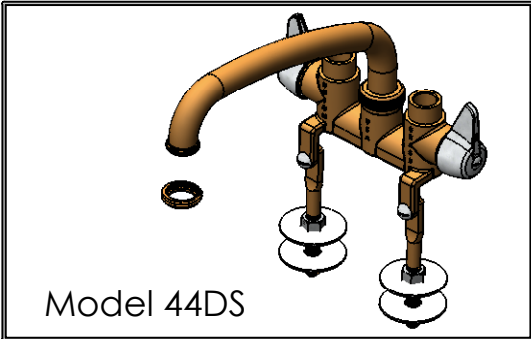


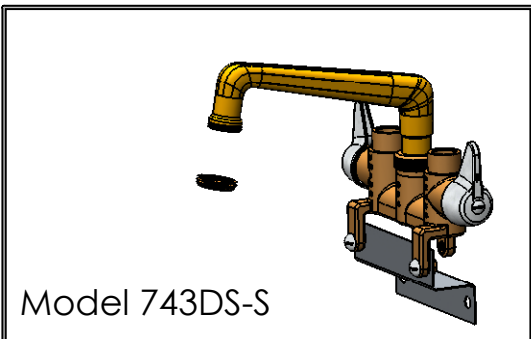
Model 42DS



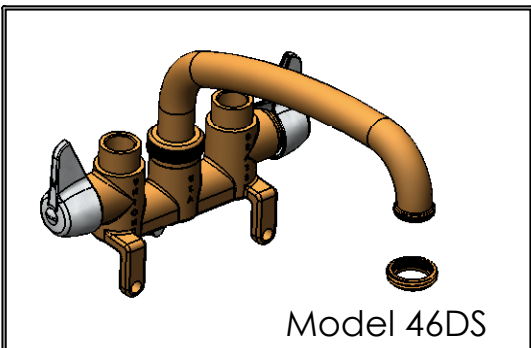
Model 44DS



Model 743DS



Model 743DS-S



Model 46DS

40DS Series

Cast Brass Direct Sweat Laundry Faucet



Features : Renew valves

Cast Brass Bodies

8" tube or 6" cast Spout

1/2" Female Copper Sweat

3" Centers on Supplies

3" Center Compression Valve

Model	Description
42DS	8" Tube Spout w/ Bracket Clamps
43DS	8" Tube Spout w/ wall Bracket Mounting Plate
43DS-S	8" Tube Spout w/ Stainless Steel Wall Bracket
44DS	8" Tube Spout w/ Threaded legs (For Shelf type Trays)
46DS	8" Tube Spout with bolt (no brackets)
342DS	6" Cast Spout w/ Bracket Clamps
343DS	6" Cast Spout w/ wall Bracket Mounting Plate
343-S	6" Cast Spout w/ Stainless Steel Wall Bracket
344DS	6" Cast Spout w/ Threaded legs (For Shelf type Trays)
346DS	6" Cast Spout with bolt (no brackets)

3" Centers- 1/4Turn Valves

Model	Description
542DS	8" Tube Spout w/ Bracket Clamps
543DS	8" Tube Spout w/ wall Bracket Mounting Plate
543DS-S	8" Tube Spout w/ Stainless Steel Wall Bracket
544DS	8" Tube Spout w/ Threaded legs (For Shelf type Trays)
546DS	8" Tube Spout with bolt (no brackets)
742DS	6" Cast Spout w/ Bracket Clamps
743DS	6" Cast Spout w/ wall Bracket Mounting Plate
743DS-S	6" Cast Spout w/ Stainless Steel Wall Bracket
744DS	6" Cast Spout w/ Threaded legs (For Shelf type Trays)
746DS	6" Cast Spout with bolt (no brackets)

American Craftsmanship Since 1892

When Ordering Specify Complete Model Number