



**KENNEDY VALVE KS-RW
RESILIENT
WEDGE VALVES**

KENNEDY VALVE

**KENNEDY VALVE AWWA C515 Resilient Wedge Gate Valves
Meet or Exceed the Requirements of
AWWA Standard C515
UL-262/FM-1120/1130
ULC-Underwriters' of Canada**

Size Range	Water Working Pressure psi	Seat Test psi	Hydrostatic Shell Test psi
AWWA 2"-12"	250 Water Works	250 & 400	500
ULFM 2 1/2"-12"	200 Fire Protection	250 & 400	500

Available in either non-rising stem or outside screw & yoke.

Available End Connections & Size Range	Figure No.	Figure No. with (STD)	Post Plate
Fig. End (NRS)	2" - 12"	7561SS	7701SS (3" - 12")
M.J.	2" - 12" (except 2 1/2")	7571SS	7071SS (3" - 12")
Fig. & M.J.	3" - 12"	7572SS	7702SS (3" - 12")
Push-on for PVC (SDR)	2" - 8"	7597SS	7597PSS (3" - 8")
Fig. End (OS & Y)	2" - 12"	7068A	N/A
M.J. for Tapping	4" - 12"	7950SS	7950PSS
Push-on for D.I. & C900 PVC	4" - 12"	7901SS	7901PSS
M.J. Cutting-in	4" - 12"	7576SS	(Consult K.V.)
Push-on D.I. X Fig.	4" - 12"	7902SS	7902PSS
Threaded (NRS)	2" - 3"	7057SS	7057PSS (3" only)
Threaded (OS&Y)	2" - 3"	7067	
FLG & GRV OS&Y	2 1/2" - 10"	7092ABF	-----
GRV & GRV OS&Y	2 1/2" - 10"	7093ABF	-----
FLG & GRV NRS	2 1/2" - 10"	7592ABF	7592PABF
GRV & GRV NRS	2 1/2" - 10"	7593ABF	7593PABF

Accessories

- Indicator Posts
- "T" Handles
- Stem Guides
- 2" Sq. Operating Nuts
- Floorstands (non-rising stem)
- Handwheels
- Extension Stems
- Chain Wheels

NOTE: 2" OS&Y Flanged and Threaded versions are UL Listed

NOTE: All RSGV's 18" and larger will be furnished with either spur gearing (vertical) or or bevel gearing (horizontal)

NOTE: 2" to 3" sizes full wall ductile iron (per AWWA C509 dimensions)



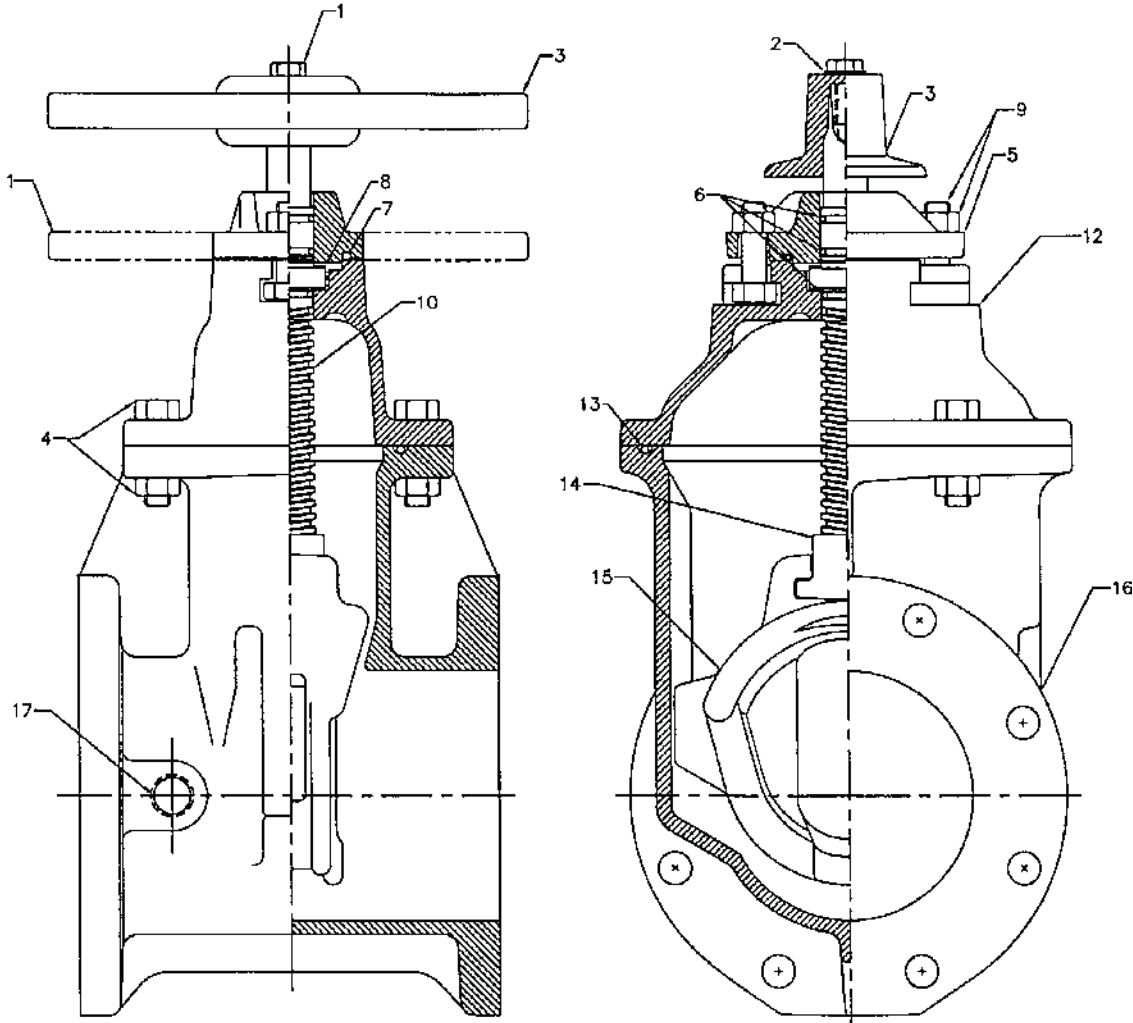
Sizes 2" - 12"



2" - 12" R/S VALVE NRS MATERIAL LIST

KENNEDY VALVE MODEL KS-RW

Complies with applicable requirements of AWWA C515



ITEM	DESCRIPTION	MATERIAL	ASTM SPEC.
1	Hex Head Bolt	Stainless Steel	ASTM F593C
2	Flat Washer	Stainless Steel	ASTM F593C
3	Operating Nut or Handwheel (Ductile)	Ductile Iron	ASTM A126
4	Hex Head Bolts & Nuts	Stainless Steel	ASTM F593/F594
5	Stuffing Box	2-FG Cast Iron	ASTM A118
6	Stem O-Ring	Buna-N	ASTM D2000
7	Stuffing Box O-Ring/gasket	Buna-N	ASTM D2000
8	Thrust Washer Bearing	Delrin	-----
9	Hex Head Bolts & Nuts	Stainless Steel	ASTM F593C/F594
10	Stem	Bronze	ASTM B584, C86700
11	Indicator Post Plate (Optional 3-12")	Ductile Iron	ASTM A536 Grade 70-50-5
12	Cover	Ductile Iron	ASTM A536 Grade 70-50-5
13	Cover O-Ring	Buna-N	-----
14	Stem Nut	Bronze (NDZ)	ASTM B763, C99500
15	Wedge (EPDM Encapsulated)	Ductile Iron	ASTM A536 Grade 70-50-5
16	Body - all types	Ductile Iron	ASTM A536 Grade 70-50-5
17	Pipe Plug 1/2": 2 1/2"-4" --3/4": 6-12"	Galvanized Steel	-----

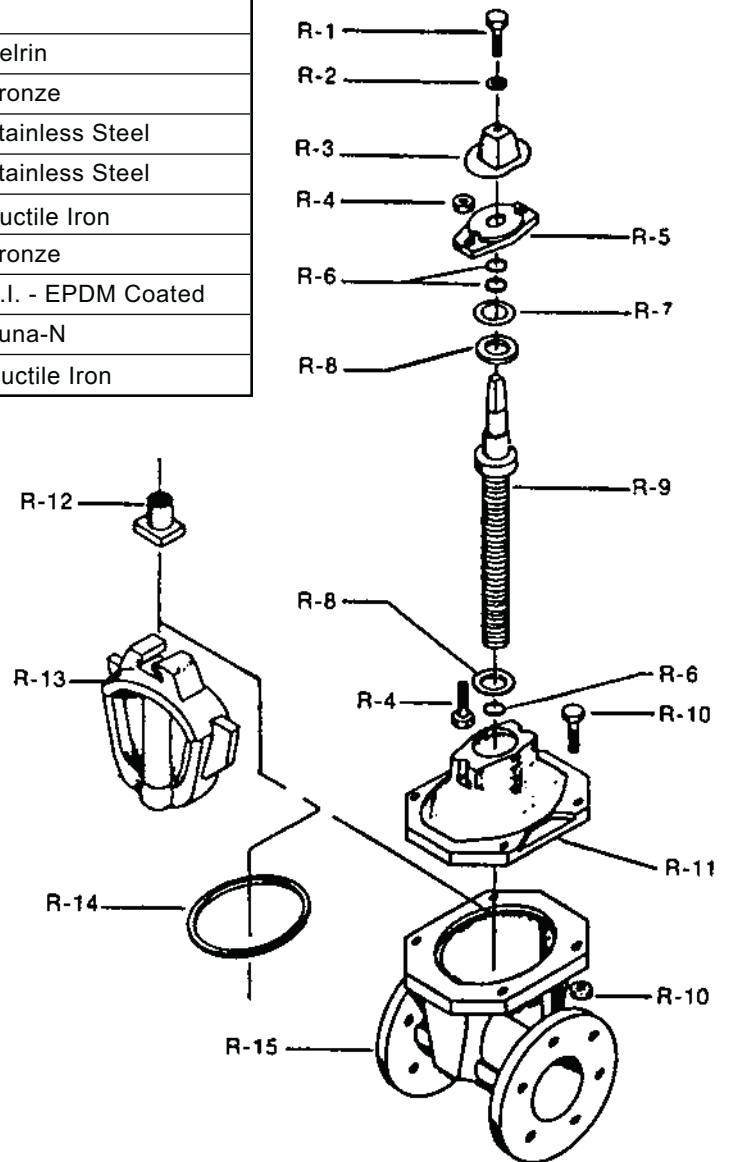
PIPE PLUG STANDARD ON FLANGE & GROOVE VALVES @ POSITION "A"



2" - 12" F#G GATE VALVE NRS ASSEMBLY EXPLOSION

KENNEDY VALVE MODEL KS-ÜY

DET.	QTY.	DESCRIPTION	MATERIALS
R-1	1	Hold Down Hex Bolt	Stainless Steel
R-2	1	Hold Down Bolt Washer	Zinc Plated Steel
R-3	1	Sq. Operating Nut OR Handwheel (Not Shown)	Cast Iron
R-4	2	Bolt & Nut (Stuffing Box)	Stainless Steel
R-5	1	Stuffing Box (10" & 12" D.I.)	Ductile Iron
R-6	3	O-Ring (Stem) 1 Below Collar	Buna-N
R-7	1	O-Ring (Stuffing Box)	Buna-N
R-8	1	Thrust Washer (Sizes 2"-2 1/2")	
	2	Thrust Washer (Sizes 3" thru 12")	Delrin
R-9	1	Stem	Bronze
R-10	4	Cover Bolts & Nuts (Sizes 2" thru 6")	Stainless Steel
	8	Cover Bolts & Nuts (Sizes 8" thru 12")	Stainless Steel
R-11	1	Cover	Ductile Iron
R-12	1	Stem Nut	Bronze
R-13	1	Wedge Disc	D.I. - EPDM Coated
R-14	1	O-Ring (Cover)	Buna-N
R-15	1	Body	Ductile Iron

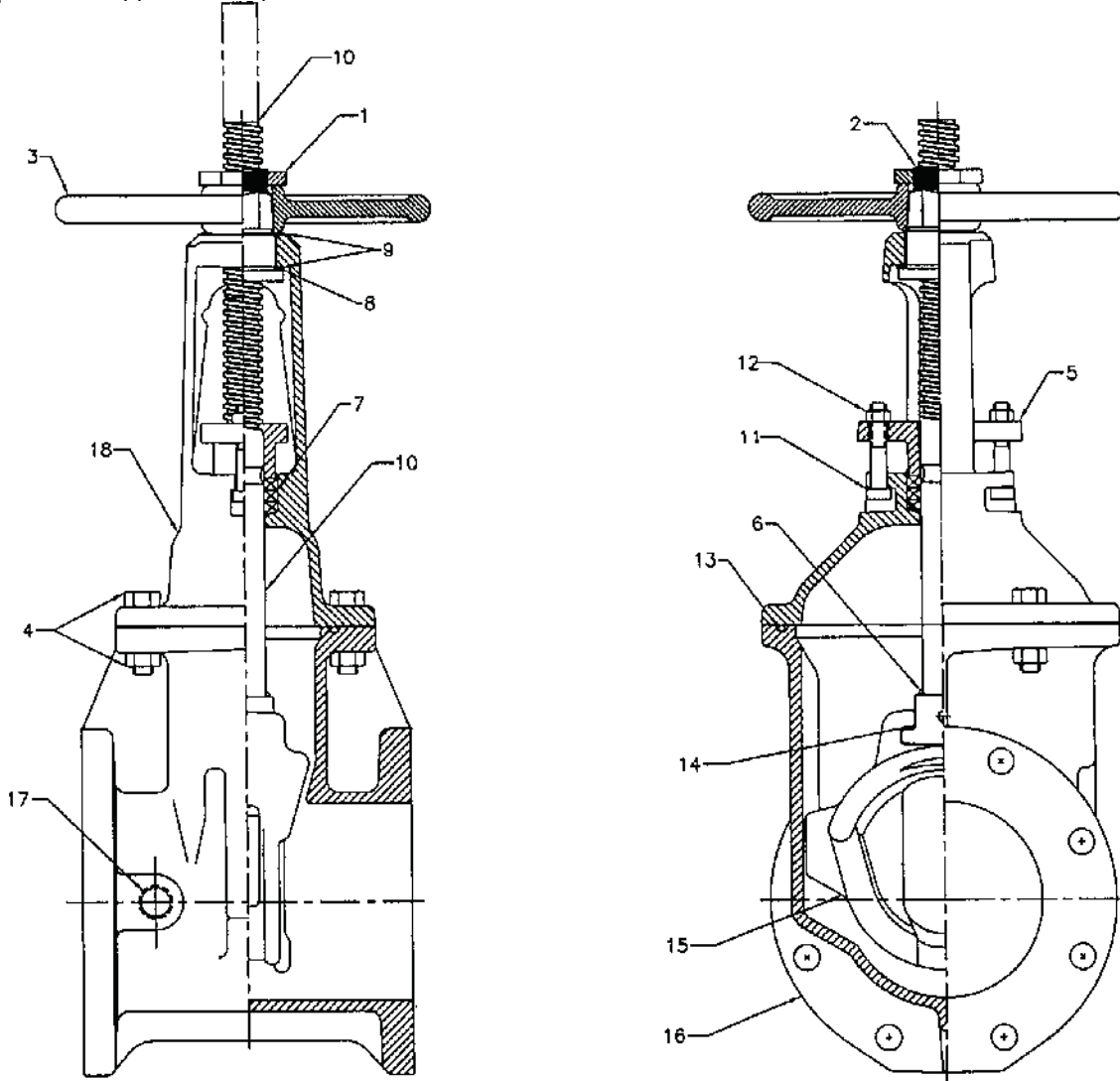




2" - 12" R/S VALVE OS&Y MATERIAL LIST

KENNEDY VALVE MODEL KS-RW

Complies with applicable requirements of AWWA C515



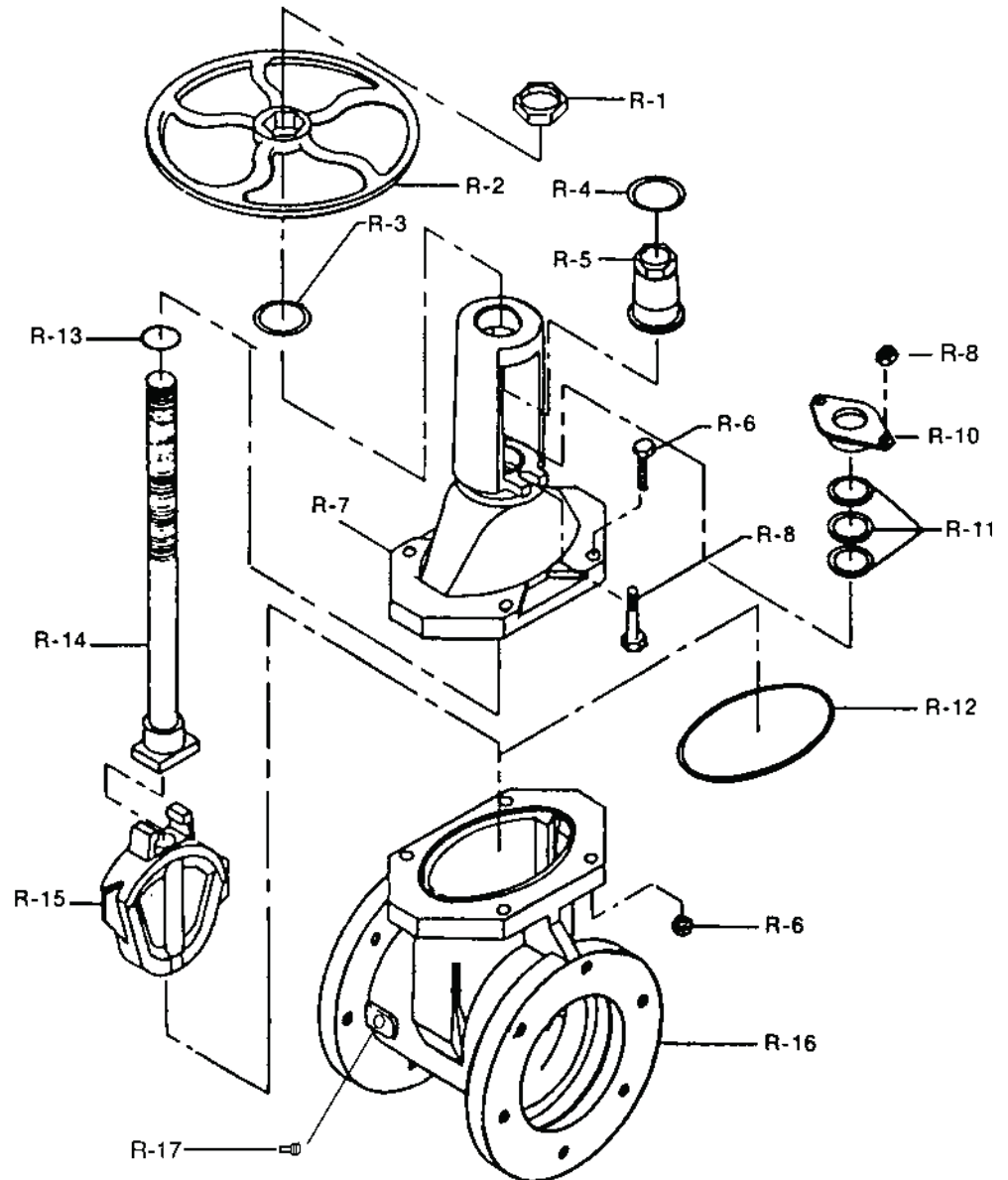
PIPE PLUG STANDARD ON FLANGE & GROOVE VALVES @ POSITION "A"

ITEM	DESCRIPTION	MATERIAL	ASTM SPEC.
1	Handwheel Nut	Bronze	ASTM B111 B111-01 Fe
2	Top Stem Nut	Bronze	ASTM B584 C86700
3	Handwheel	Cast Iron	ASTM A118 A118-01 G
4	Hex Head Bolts & Nuts	Zinc Plated Steel	ASTM A307 Grade B
5	Packing Gland	Ductile Iron	ASTM A536 70-50-5
6	Stem O-Ring	Buna N	ASTM D2000
7	Packing	Lubricated Fiber	
8	Thrust Washer Bearing	Nylatron	-----
9	Thrust Washer (1 only on 2"-4")	Bronze	ASTM B36 C260
10	Stem	Brass	ASTM B16 C36000
11	Packing Bolts	Zinc Plated Steel	ASTM A307 Grade B
12	Packing Bolt Nuts	Brass	ASTM B16 C36000
13	Cover O-Ring	Buna N	ASTM D2000
14	Stem	Stainless Steel	ASTM A276 Type 304
15	Wedge	EPDM Coated Steel	ASTM A118 A118-01 G
16	Body - all types	Ductile Iron	ASTM A536 70-50-5
17	Pipe Plug 1/2": 2 1/2"-4" --3/4": 6-12"	Galvanized Steel	-----
18	Cover	Ductile Iron	ASTM A536 70-50-5

2" - 12" R/S GATE VALVE OS&Y ASSEMBLY EXPLOSION

KENNEDY VALVE MODEL KS-RW

DET.	QTY.	DESCRIPTION	MATERIALS
R-1	1	Handwheel Hold Down Nut	Bronze
R-2	1	Handwheel	Ductile Iron
R-3	1	Upper Thrust Washer (Sizes 3" thru 12")	Bronze
R-4	1	Lower Thrust Washer	Bronze
R-5	1	Yoke Nut	Bronze
R-6	4	Cover Bolts & Nuts (Sizes 2-1/2" thru 6")	Zinc Plated Steel
R-6	8	Cover Bolts & Nuts (Sizes 8" thru 12")	Zinc Plated Steel
R-7	1	Cover	Cast Iron
R-8	2	Packing Bolts	Zinc Plated Steel
R-8	2	Packing Bolt Nuts	Brass
R-10	1	Packing Gland	Ductile Iron
R-11		Packing	Sq. Braided Polymer
R-12	1	O-Ring (Cover)	Buna-N
R-13	1	O-Ring (Stem)	Buna-N
R-14	1	Stem	Stainless
R-15	1	Wedge Disc	D.I. - EPDM Coated
R-16	1	Body	Ductile Iron
R-17	1	Pipe Plug	Galvanized Steel





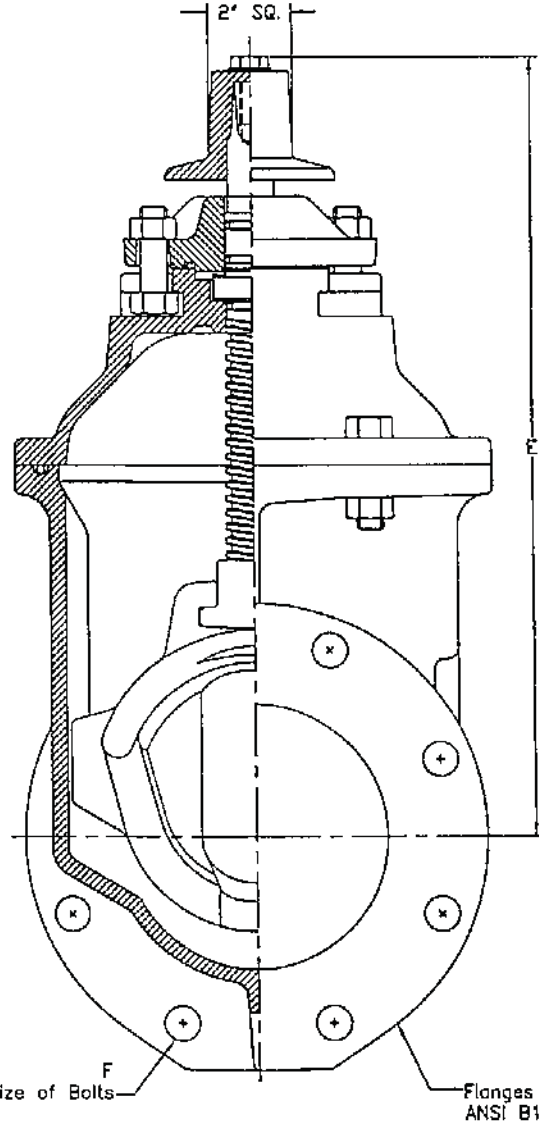
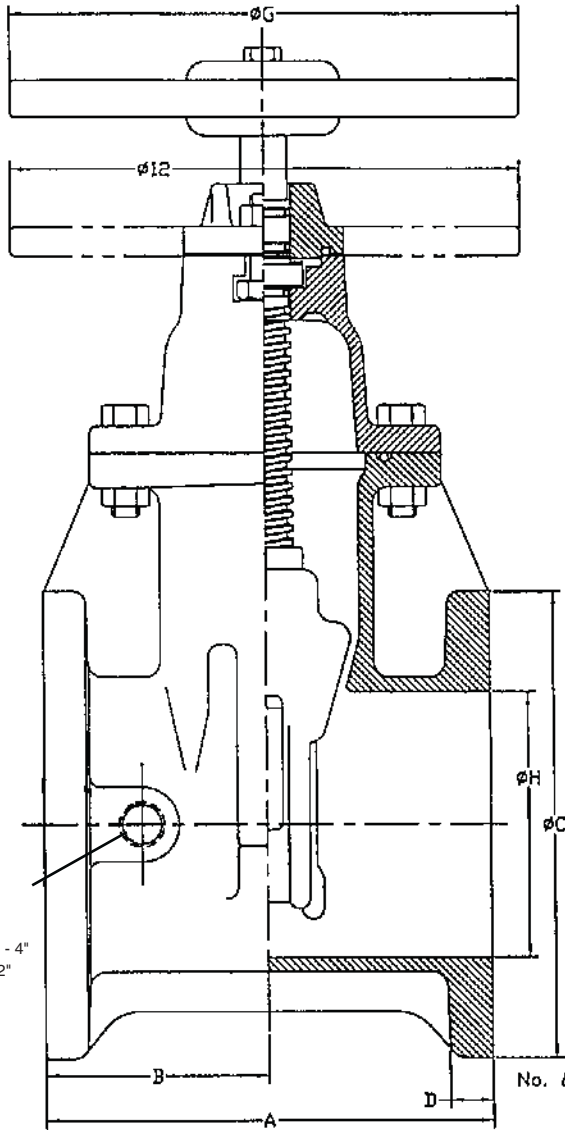
Complies with applicable requirements of AWWA C515

2" - 12" R/S VALVE NRS FLANGED ENDS GENERAL DIMENSIONS

KENNEDY VALVE MODEL KS-RW

7561ASS
7561ANSS
7701ASS

W/HANDWHEEL
W/NUT
W/POST PLATE (3-12")



Standard
Tap Sizes
1/2" NPT - 2 1/2" - 4"
3/4" NPT - 6" - 12"

No. & Size of Bolts

Flanges
ANSI B16.1 CL 125

* Face to face dimensions (inch) conform to ASME B16.10

ALL FLANGE VALVES ARE TAPPED & PLUGGED @ POSITION "A"																		
VALVE SIZE		* A		B		C		D		E		F		G		H		
inch	mm	inch	mm	inch	mm	inch	mm	inch	mm	inch	mm	#	inch	mm	inch	mm	inch	mm
2	50	7	178	3 1/2	89	6	150	5/8	16	10 7/8	276	4	5/8	16	7 1/4	184	2	50
2 1/2	60	7 1/2	191	3 3/4	95	7	180	11/16	17	11 3/8	289	4	5/8	16	7 1/4	184	2 1/2	60
3	80	8	203	4	102	7 1/2	190	3/4	19	12 3/8	314	4	5/8	16	10	254	3	80
4	100	9	229	4 1/2	114	9	230	15/16	24	14 3/4	375	8	5/8	16	10	254	4 1/4	110
6	150	10 1/2	267	5 1/4	133	11	280	1	25	19	483	8	3/4	19	12	305	6 1/4	160
8	200	11 1/2	292	5 3/4	146	13 1/2	340	1 1/8	29	22 1/2	572	8	3/4	19	14	356	8 1/4	210
10	250	13	330	6 1/2	165	16	410	1 3/16	30	26 1/2	673	12	7/8	22	18	457	10 1/4	260
12	300	14	356	7	178	19	480	1 1/4	32	30	762	12	7/8	22	18	457	12 1/4	310

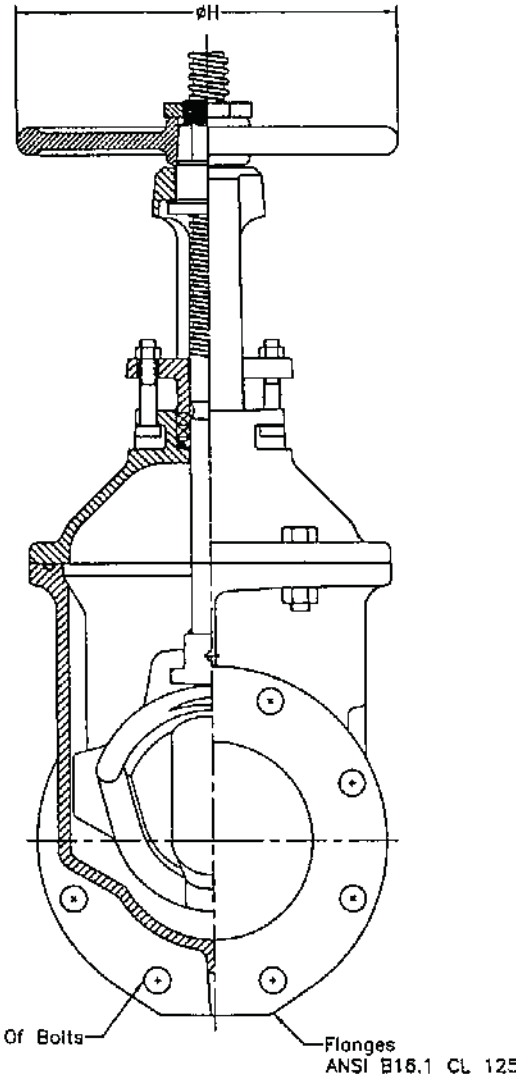
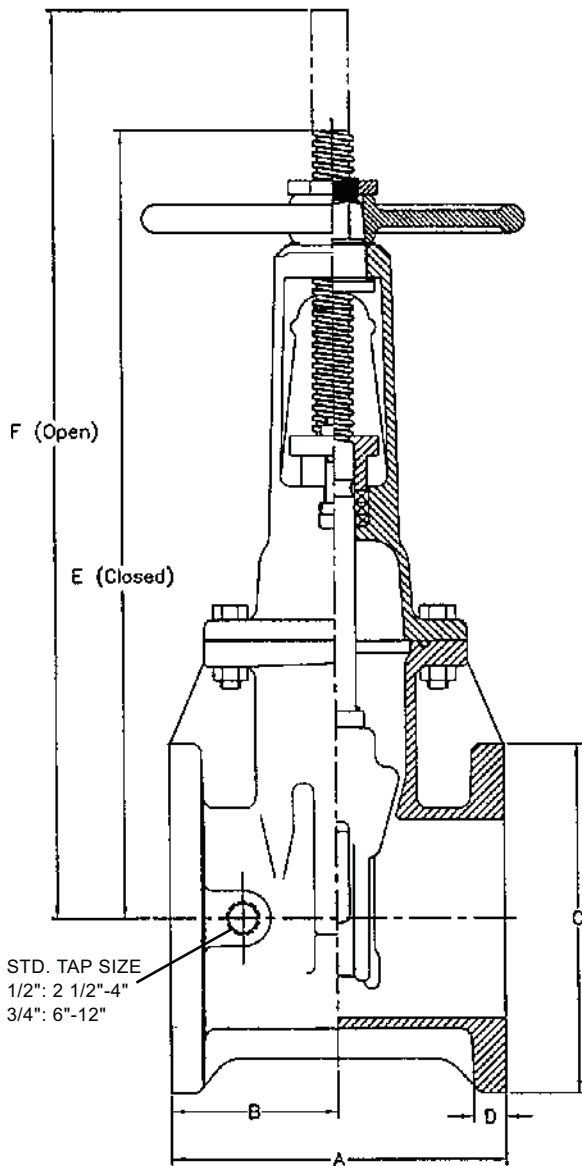


**2" - 12" R/S VALVE FLANGE ENDS
OS&Y GENERAL DIMENSIONS**

KENNEDY VALVE MODEL KS-RW

Complies with applicable requirements of AWWA C515

7068A



VALVE SIZE	A	b	C	D	E	F	G	H	WEIGHT
2	7	3 1/2	6	11/16	10	12	4 5/8	7 1/4	N/A
2 1/2	7 1/2	3 3/4	7	11/16	13 7/8	16 3/8	4 5/8	7 1/4	51
3	8	4	7 1/2	3/4	15 5/8	18 7/8	4 5/8	10	64
4	9	4 1/2	9	15/16	18 1/4	22 3/4	8 5/8	10	105
6	10 1/2	5 1/4	11	1	23 3/4	30 1/8	8 3/4	12	152
8	11 1/2	5 3/4	13 1/2	1 1/8	29 1/4	37 3/4	8 3/4	14	253
10	13	6 1/2	16	1 3/16	35 3/8	45 3/4	12 7/8	18	427
12	14	7	19	1 1/4	40 5/8	53 1/8	12 7/8	18	581

ALL FLANGE VALVES TAPPED & PLUGGED @ POSITION "A"

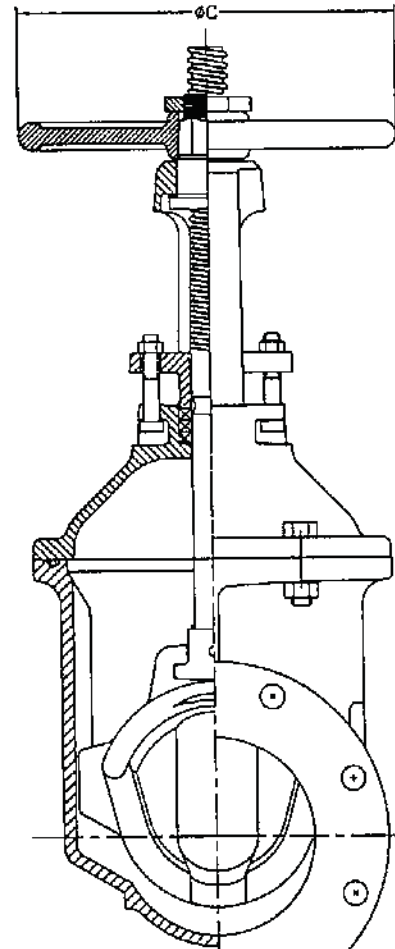
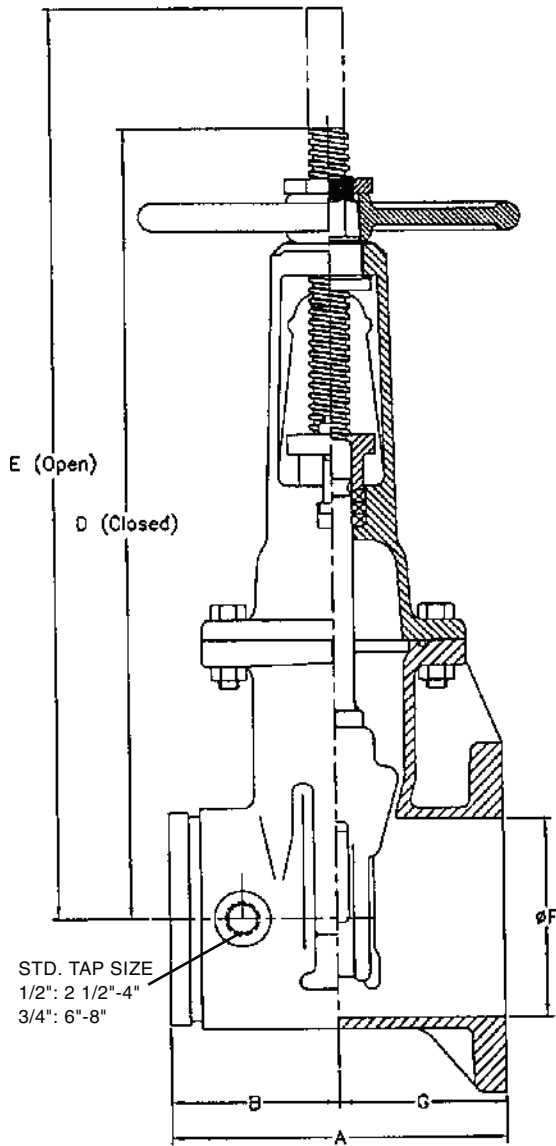


**2 1/2" - 8" R/S VALVE FLANGE x GROOVE
OS&Y GENERAL DIMENSIONS**

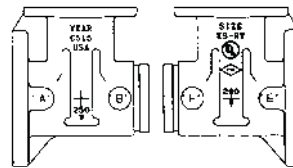
KENNEDY VALVE MODEL KS-RW

Complies with applicable requirements of AWWA C515

7092ABF



Flanges
ANSI B16.1 CL 125



BOSS LOCATION

GRV X FLG VALVES TAPPED & PLUGGED @ POSITION "A", "B", "F"

VALVE SIZE	A	B	C	D	E	F	G
2 1/2	7 1/2	3 3/4	7 1/4	13 7/8	16 3/8	2 1/2	3 3/4
3	8	4	10	15 5/8	18 7/8	3	4
4	9	4 1/2	10	18 1/4	22 3/4	4 1/4	4 1/2
6	10 1/2	5 1/4	12	23 3/4	30 1/8	6 1/4	5 1/4
8	11 1/2	5 3/4	14	29 1/4	37 3/4	8 1/4	5 3/4
10	13	6 1/2	16	35 3/8	45 3/4	10 1/4	6 1/2

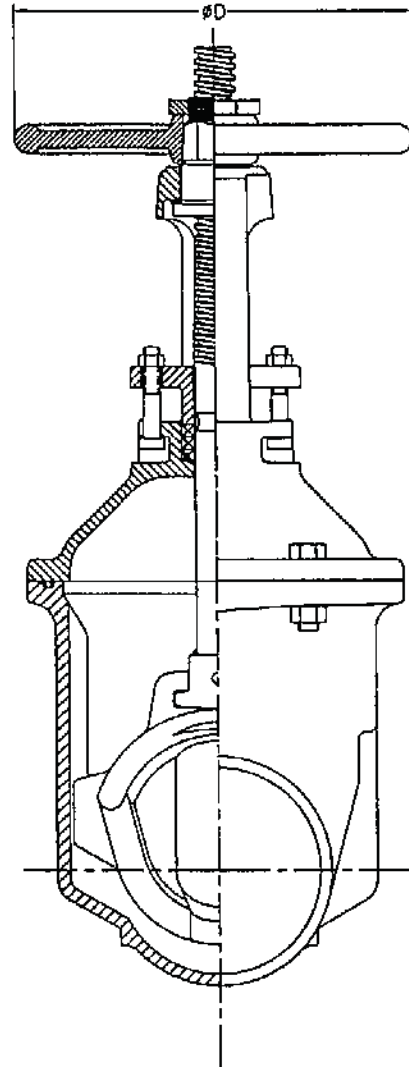
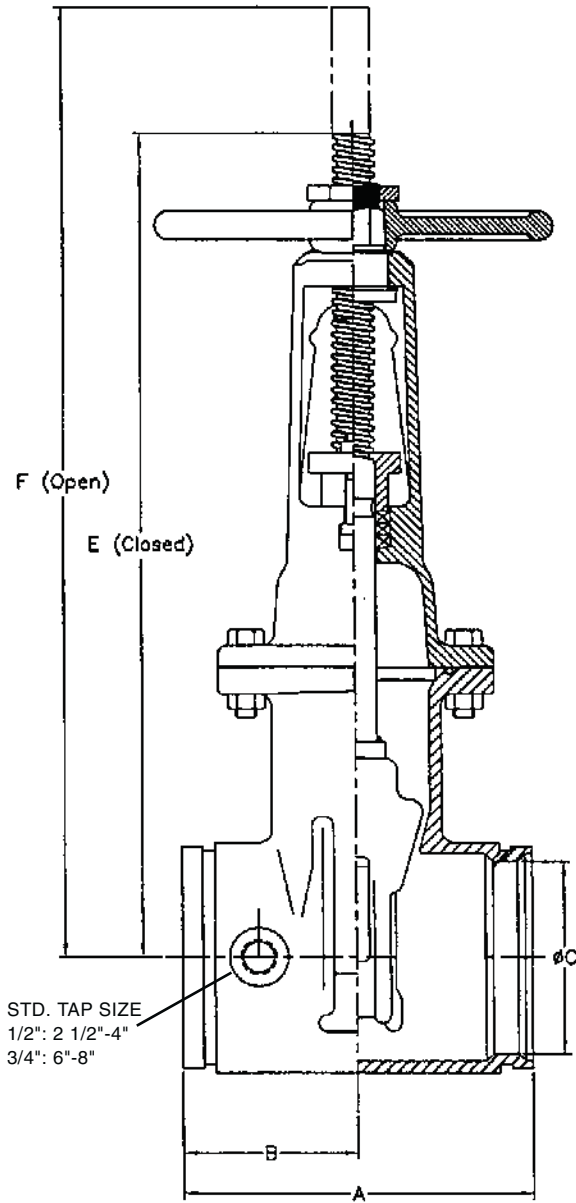


**2 1/2" - 8" R/S VALVE GROOVE ENDS
OS&Y GENERAL DIMENSIONS**

KENNEDY VALVE MODEL KS-RW

Complies with applicable requirements of AWWA C515

7093A



GRV X GRV VALVES TAPPED & PLUGGED @ POSITION "A", "B", "F"

VALVE SIZE	A	B	C	D	E	F
2 1/2	7 1/2	3 3/4	1.97	7 1/4	13 7/8	16 3/8
3	8	4	2.63	10	15 5/8	18 7/8
4	9	4 1/2	3.75	10	18 1/4	22 3/4
6	10 1/2	5 1/4	5.80	12	23 3/4	30 1/8
8	11 1/2	5 3/4	7.67	14	29 1/4	37 3/4
10	13	6 1/2	9.80	16	35 3/8	45 3/4



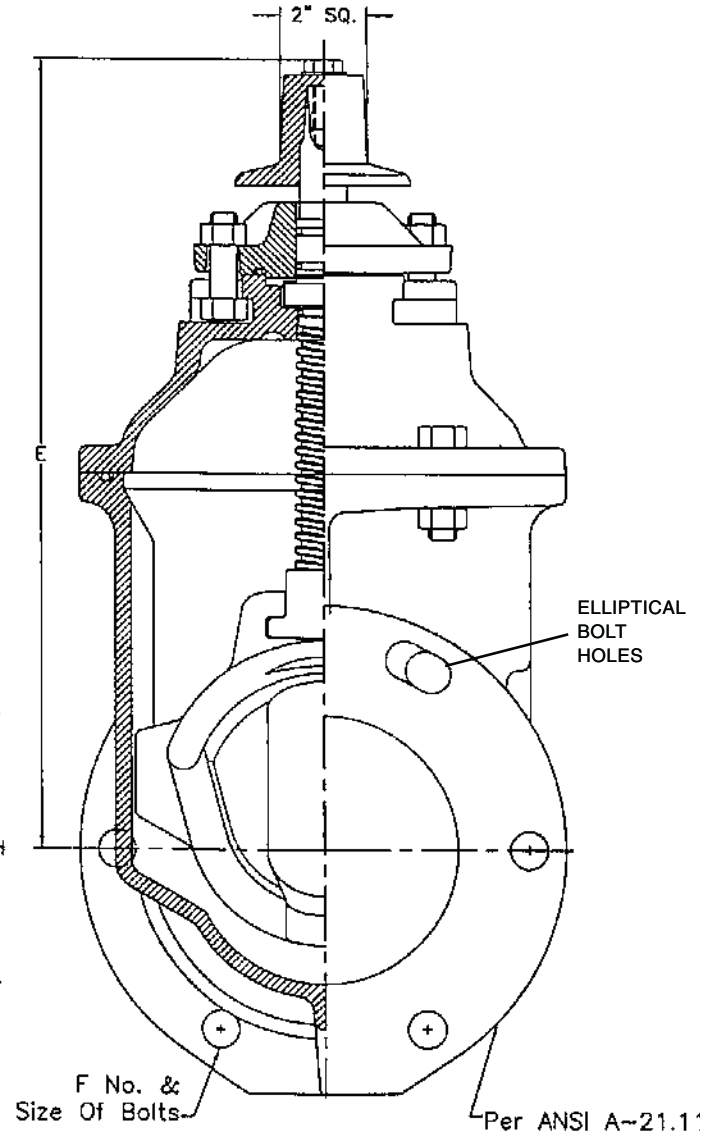
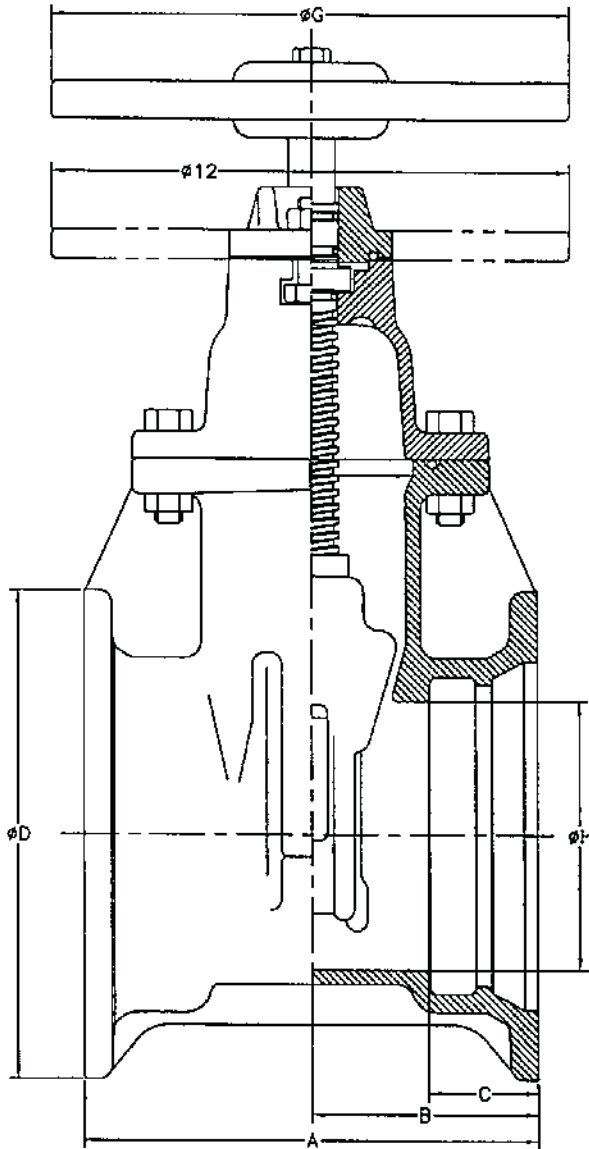
**2"-12" R/S VALVE MECHANICAL
JOINT ENDS
GENERAL DIMENSIONS**

KENNEDY VALVE MODEL KS-RW

Complies with applicable requirements of AWWA C515

7571SS
7071SS

**STANDARD
W/POST PLATE (3-12")**



VALVE SIZE	A	B	C	D	E	F	G	H
2	8 1/4	4 1/8	2 1/2	4 1/2	10 7/8	2 5/8	7 1/4	2
2 1/2	—	—	—	—	—	—	—	—
3	8 1/2	4 1/4	2 1/2	7 3/4	12 3/8	4 5/8	10	3
4	9 1/2	4 3/4	2 1/2	9 1/8	14 3/4	4 3/4	10	4 1/4
6	10 1/2	5 1/4	2 1/2	11 1/8	19	6 3/4	12	6 1/4
8	13 1/8	6 9/16	2 1/2	13 3/4	22 1/2	6 3/4	14	8 1/4
10	15 1/2	7 3/4	2 1/2	15 3/4	26 1/2	8 3/4	18	10 1/4
12	16	8	2 5/8	18	30	8 3/4	18	12 1/4



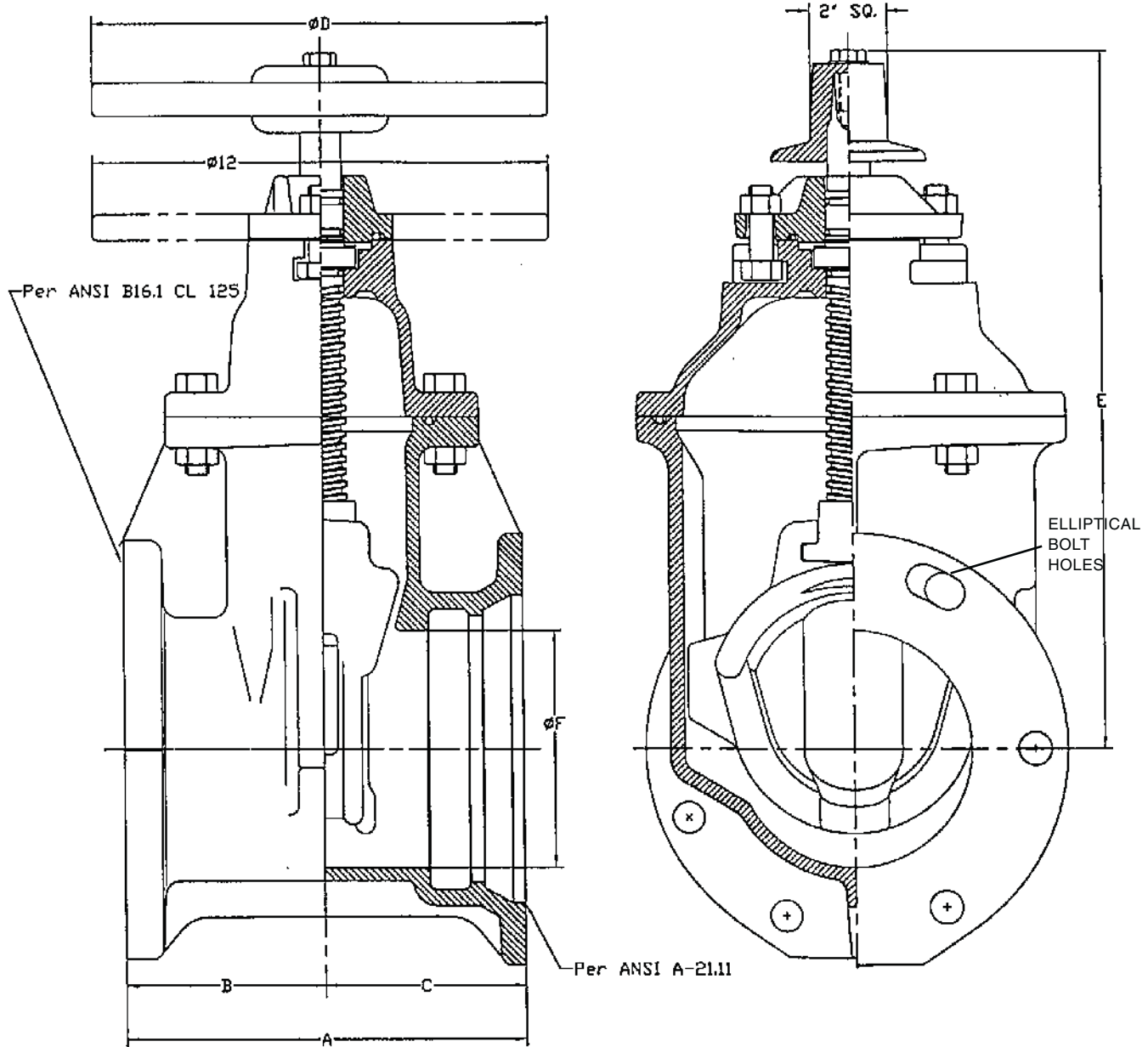
**3"-12" R/S VALVE NRS FLANGED X
MECHANICAL JOINT ENDS
GENERAL DIMENSIONS**

KENNEDY VALVE MODEL KS-RW

Complies with applicable requirements of AWWA C515

7572SS
7702SS

**STANDARD
W/POST PLATE**



ELLIPTICAL BOLT HOLE DESIGN ELIMINATES THE NEED FOR ANTI-ROTATIONAL BOLTS

VALVE SIZE	A	B	C	D	E	F
3	8 1/4	4	4 1/4	10	12 3/8	3
4	9 1/4	4 1/2	4 3/4	10	14 3/4	4 1/4
6	10 1/2	5 1/4	5 1/4	12	19	6 1/4
8	12 5/16	5 3/4	6 9/16	14	22 1/2	8 1/4
10	14 1/4	6 1/2	7 3/4	18	26 1/2	10 1/4
12	15	7	8	18	30	12 1/4



4"-12" R/S VALVE TYTON ENDS NRS GENERAL DIMENSIONS

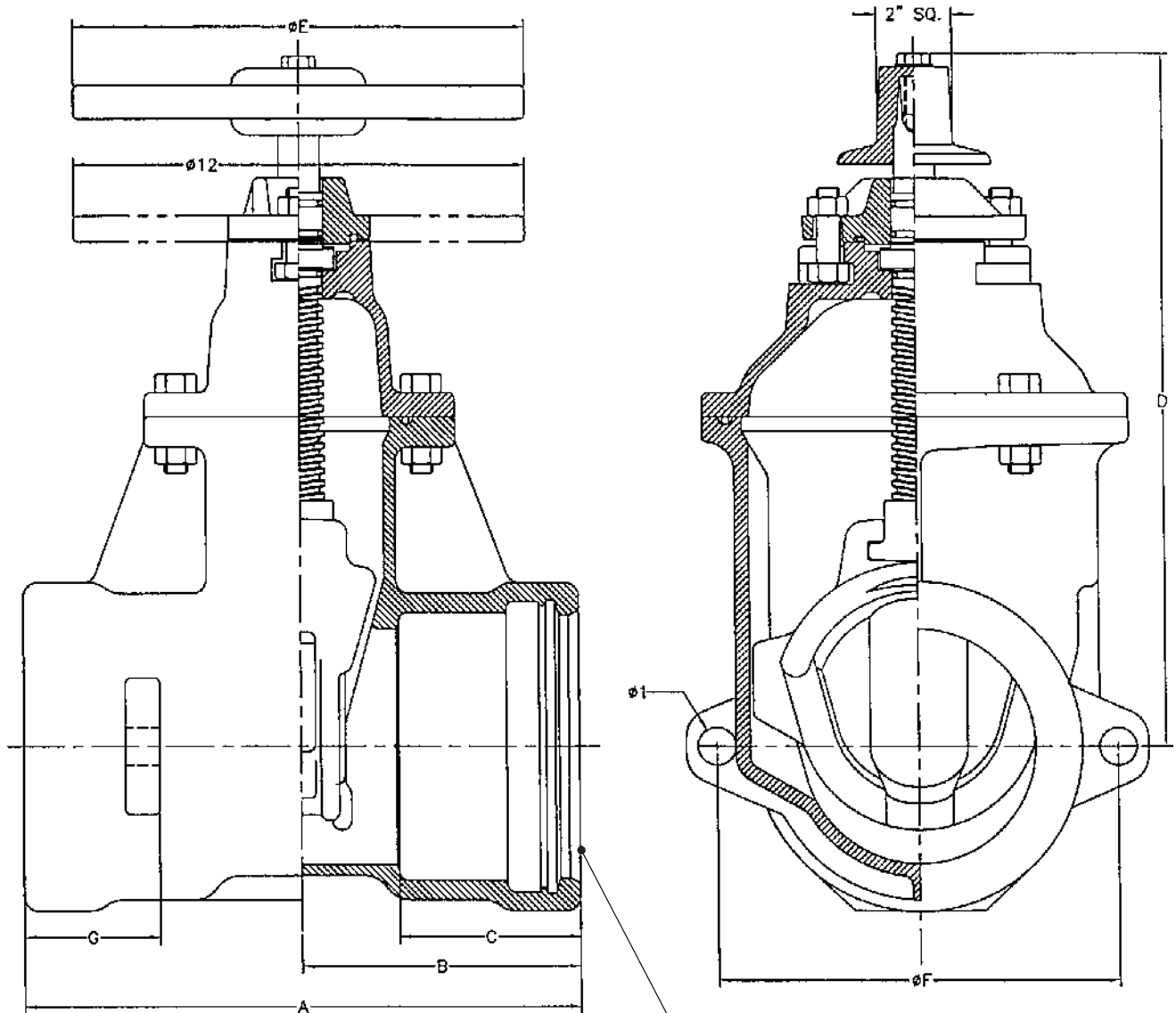
KENNEDY VALVE MODEL KS-RW

Complies with AWWA C515

7901SS
7901PSS

STANDARD
W/POST PLATE

TYTON (PUSH-ON) FOR DUCTILE IRON PIPE



per ANSI/AWWA C111/A21.11

VALVE SIZE	A	B	C	D	E	F	G
4	13 1/4	6 5/8	4.34	14 3/4	10	8	3 5/8
6	14 3/4	7 3/8	4.75	19	12	10.68	3 5/8
8	17 1/8	8 9/16	5.70	22 1/2	14	12.56	4 5/8
10	19 3/8	9 11/16	6.19	26 1/2	18	15.44	4 7/8
12	20 7/8	10 7/16	6.19	30	18	17.94	4 7/8



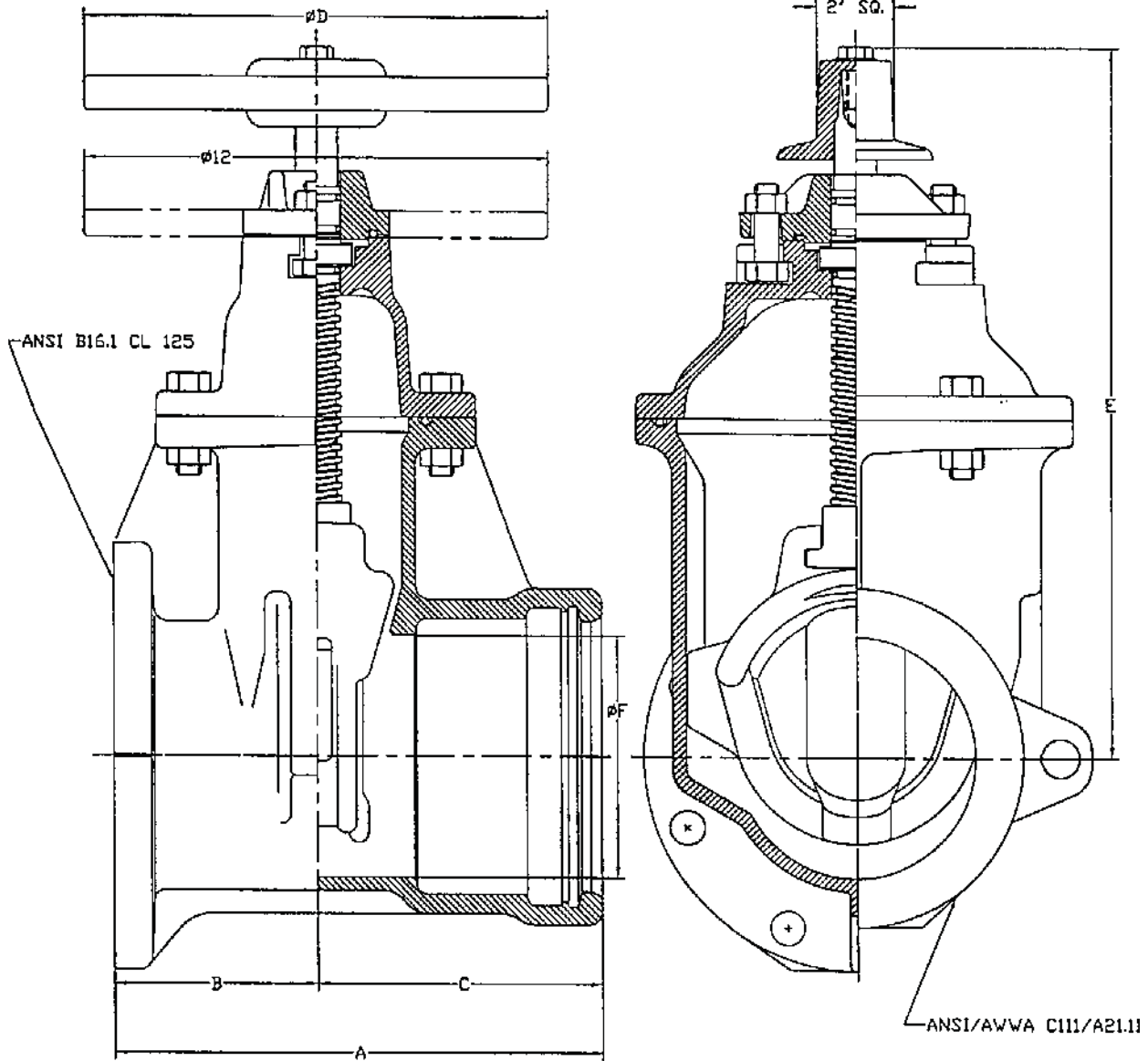
**4"-12" R/S VALVE NRS FLANGEx
TYTON ENDS GENERAL DIMENSIONS**

KENNEDY VALVE MODEL KS-RW

Valves comply with AWWA C515

7902SS
7902PSS

STANDARD
W/POST PLATE



VALVE SIZE	A	B	C	D	E	F
3	8 1/4	4	4 1/4	10	12 3/8	3
4	11 1/8	4 1/2	6 5/8	10	14 3/4	4 1/4
6	12 5/8	5 1/4	7 3/8	12	19	8 1/4
8	14 5/16	5 3/4	8 9/16	14	22 1/2	8 1/4
10	16 3/16	6 1/2	9 11/16	18	26 1/2	10 1/4
12	17 7/16	7	10 7/16	18	30	12 1/4



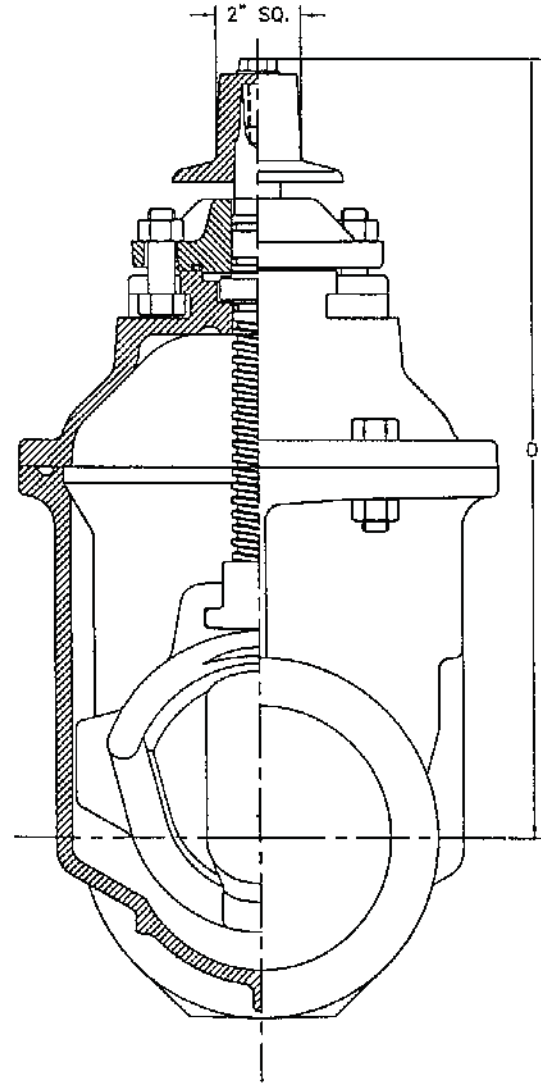
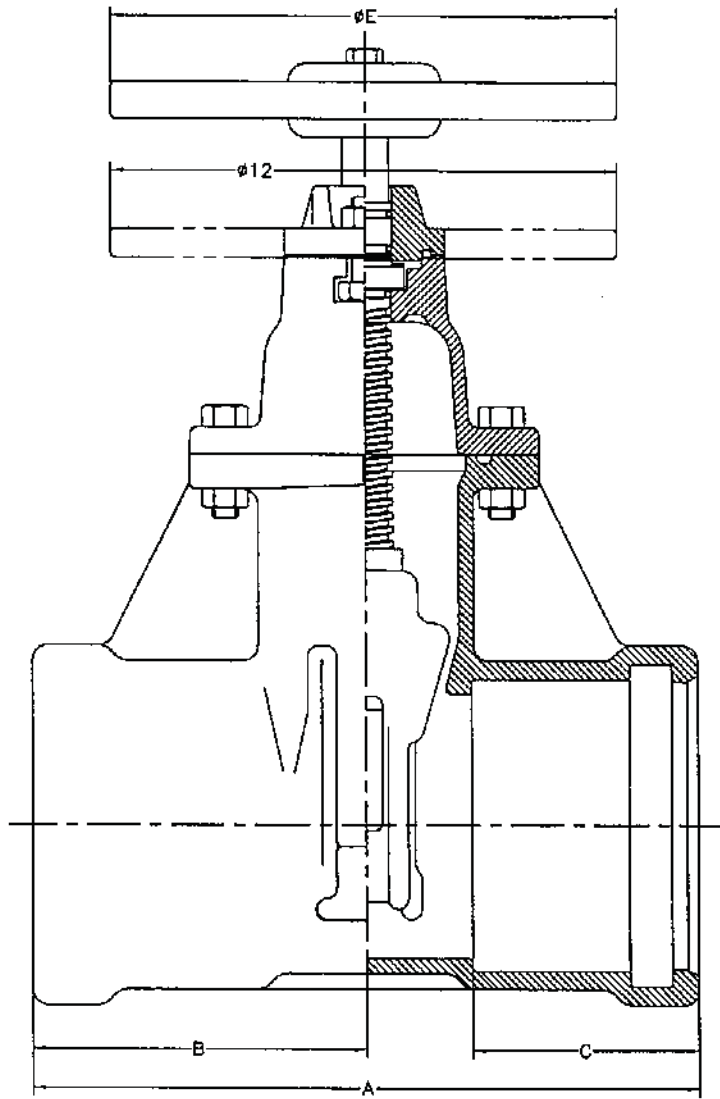
Complies with applicable requirements of AWWA C515

**2"-12" R/S VALVE PVC ENDS
NRS GENERAL DIMENSIONS**

KENNEDY VALVE MODEL KS-RW

7597SS
7597PSS

STANDARD
W/POST PLATE (3-8")



VALVE SIZE	A	B	C	D	E
2	10	5	3 1/2	10 7/8	7 1/4
2 1/2	10 3/4	5 3/8	3 3/4	11 3/8	7 1/4
3	11 5/8	5 13/16	4 1/6	12 3/8	10
4	13 1/2	6 3/4	4 1/2	14 3/4	10
6	15 3/4	7 7/8	5 3/8	19	12
8	16 1/4	8 1/8	5 3/8	22 1/2	14



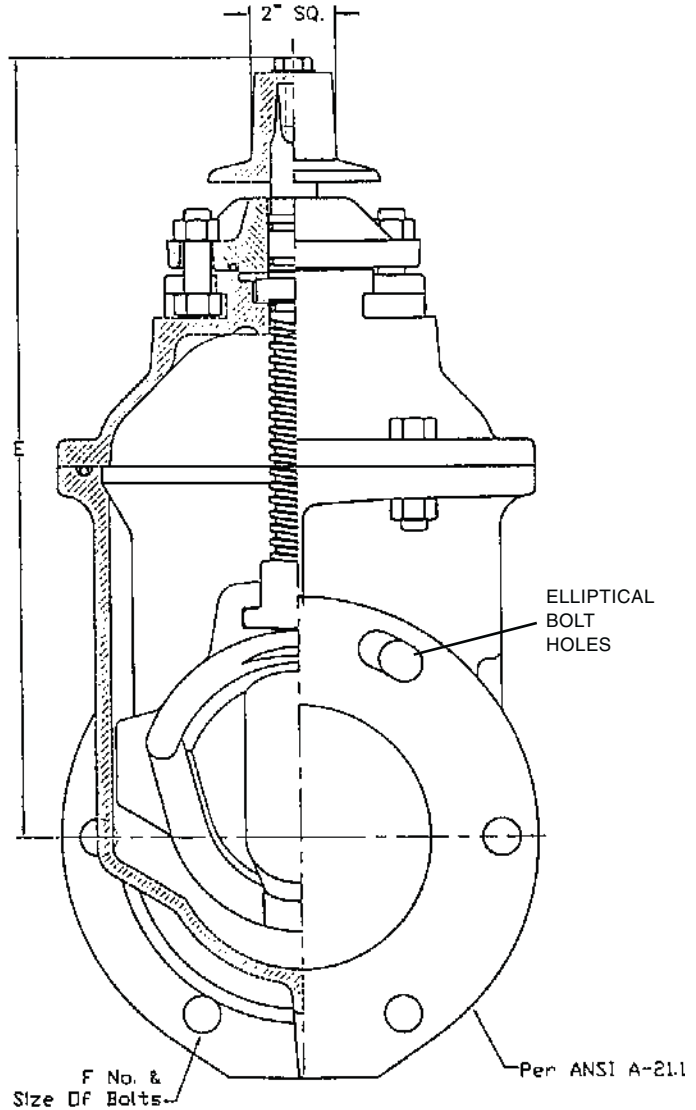
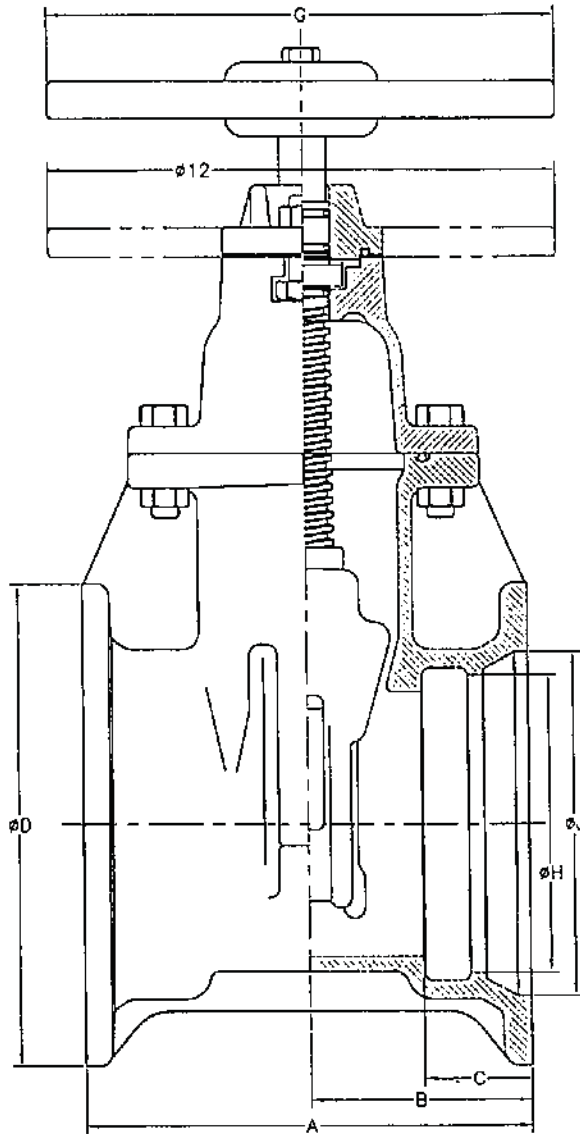
**2"-12" R/S VALVE MECHANICAL CUT
JOINT ENDS GENERAL DIMENSIONS**

KENNEDY VALVE MODEL KS-RW

Complies with applicable requirements of AWWA C515

**7576SS
7576PSS**

**STANDARD
W/POST PLATE**



VALVE SIZE	A	B	C	D	E	F	G	H	J
4	9 1/2	4 3/4	2 1/2	9 1/8	14 3/4	4 3/4	10	5.10	6.20
6	10 1/2	5 1/4	2 1/2	11 1/8	19	6 3/4	12	7.20	8.30
8	13 1/8	6 9/16	2 1/2	13 3/4	22 1/2	6 3/4	14	9.40	10.50
10	15 1/2	7 3/4	2 1/2	15 3/4	26 1/2	8 3/4	18	11.50	12.62
12	16	8	2 5/8	18	30	8 3/4	18	13.60	14.74

ELLIPTICAL BOLT HOLE DESIGN ELIMINATES THE NEED FOR ANTI-ROTATIONAL BOLTS



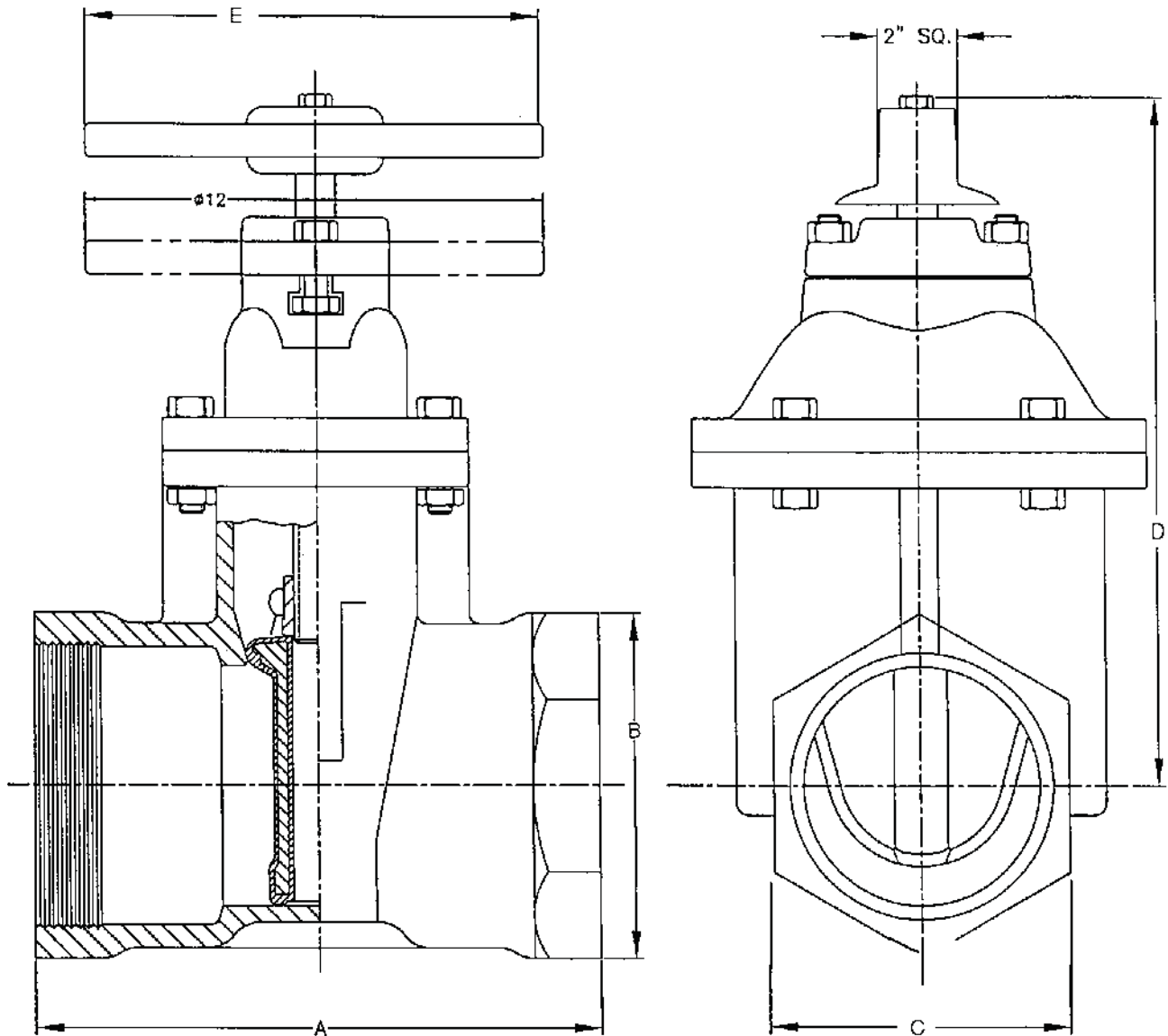
Complies with applicable requirements of AWWA C515

**2"-3" R/S VALVE THREADED ENDS
NRS GENERAL DIMENSIONS**

KENNEDY VALVE MODEL KS-RW

7057SS
7057WSS

2" NUT
HANDWHEEL



VALVE SIZE	A	B	C	D	E
2	5 1/4	4 1/8	3 9/16	10 7/8	7 1/4
2 1/2	7	5 3/16	4 1/2	11 3/8	7 1/4
3	7 1/8	5 5/8	4 7/8	12 3/8	10



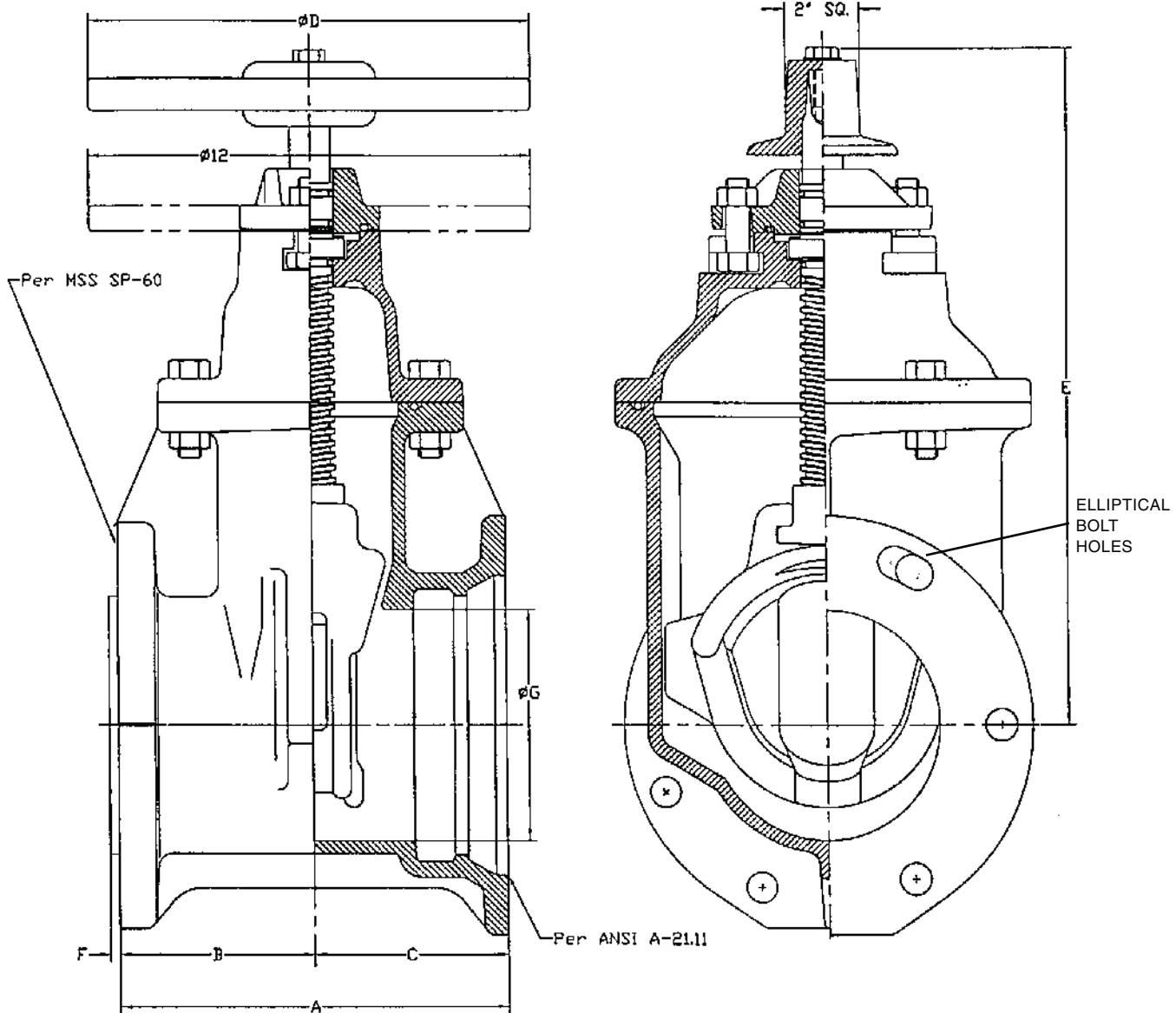
**3" 12" R/S VALVE NRS TAP x
MECHANICAL JOINT ENDS
GENERAL DIMENSIONS**

KENNEDY VALVE MODEL KS-RW

Valves comply with AWWA C515

7950SS
7950PSS

STANDARD
W/POST PLATE



ELLIPTICAL BOLT HOLE DESIGN ELIMINATES THE NEED FOR ANTI-ROTATIONAL BOLTS

VALVE SIZE	A	B	C	D	E	F	G
4	9 1/4	4 1/2	4 3/4	10	14 3/4	3/16	4 1/4
6	10 1/2	5 1/4	5 1/4	12	19	1/4	6 1/4
8	13 1/4	5 3/4	7 1/2	14	22 1/2	1/4	8 1/4
10	14 1/4	6 1/2	7 3/4	18	26 1/2	1/4	10 1/4
12	15	7	8	18	30	1/4	12 1/4

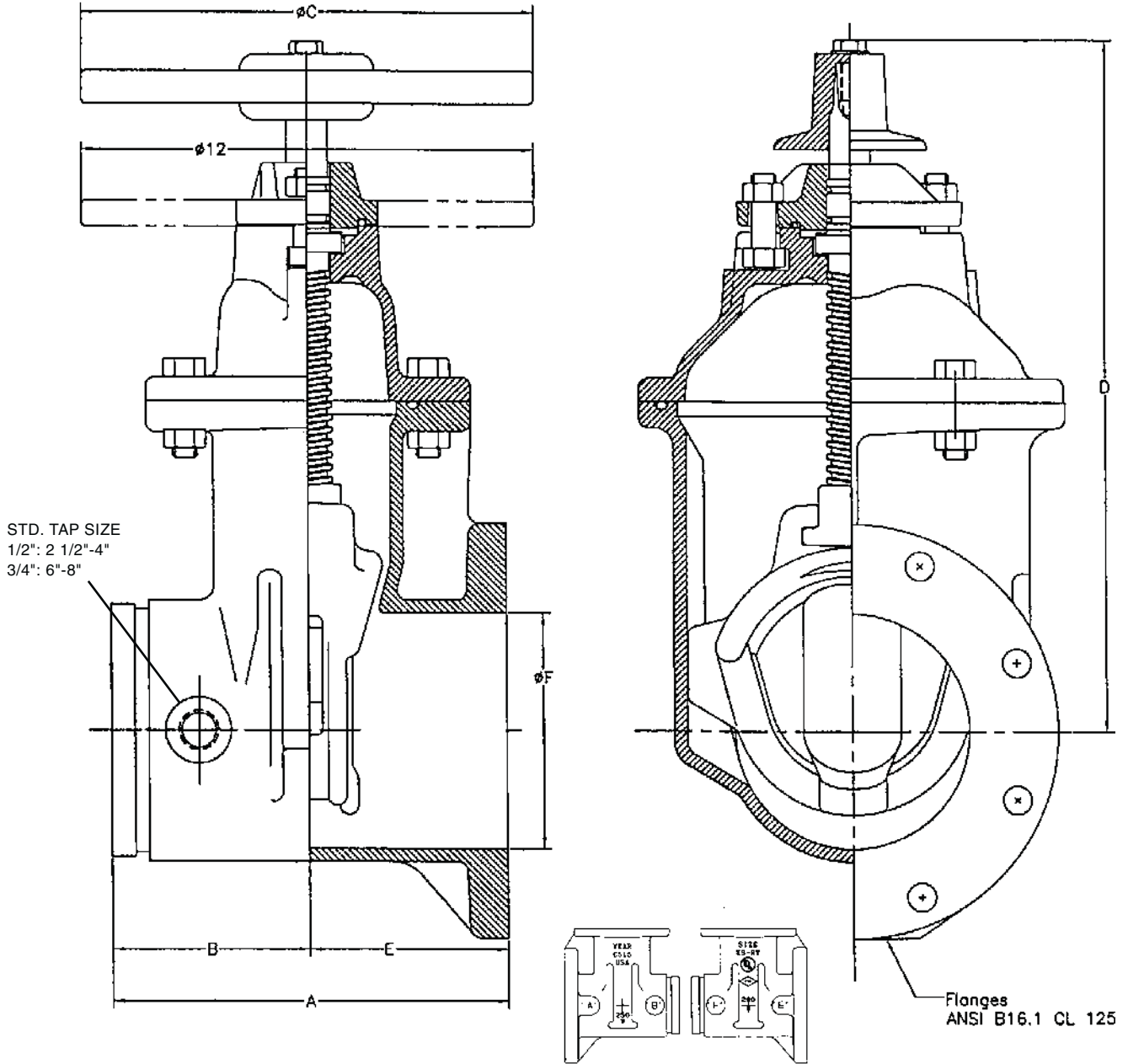


**2 1/2"-10" R/S VALVE GROOVE x FLANGE
NRS GENERAL DIMENSIONS**

KENNEDY VALVE MODEL KS-RW

Complies with applicable requirements of AWWA C515

7592ABF
7592PABF



BOSS LOCATION

GRV X FLG VALVES TAPPED & PLUGGED @ POSITION "A", "B", "F"

VALVE SIZE	A	B	C	D	E	F
2 1/2	7 1/2	3 3/4	7 1/4	11 3/8	3 3/4	2 1/2
3	8	4	10	12 3/8	4	3
4	9	4 1/2	10	14 3/4	4 1/2	4 1/4
6	10 1/2	5 1/4	12	19	5 1/4	6 1/4
8	11 1/2	5 3/4	14	22 1/2	5 3/4	8 1/4
10	13	6 1/2	18	26 1/2	6 1/2	10 1/4

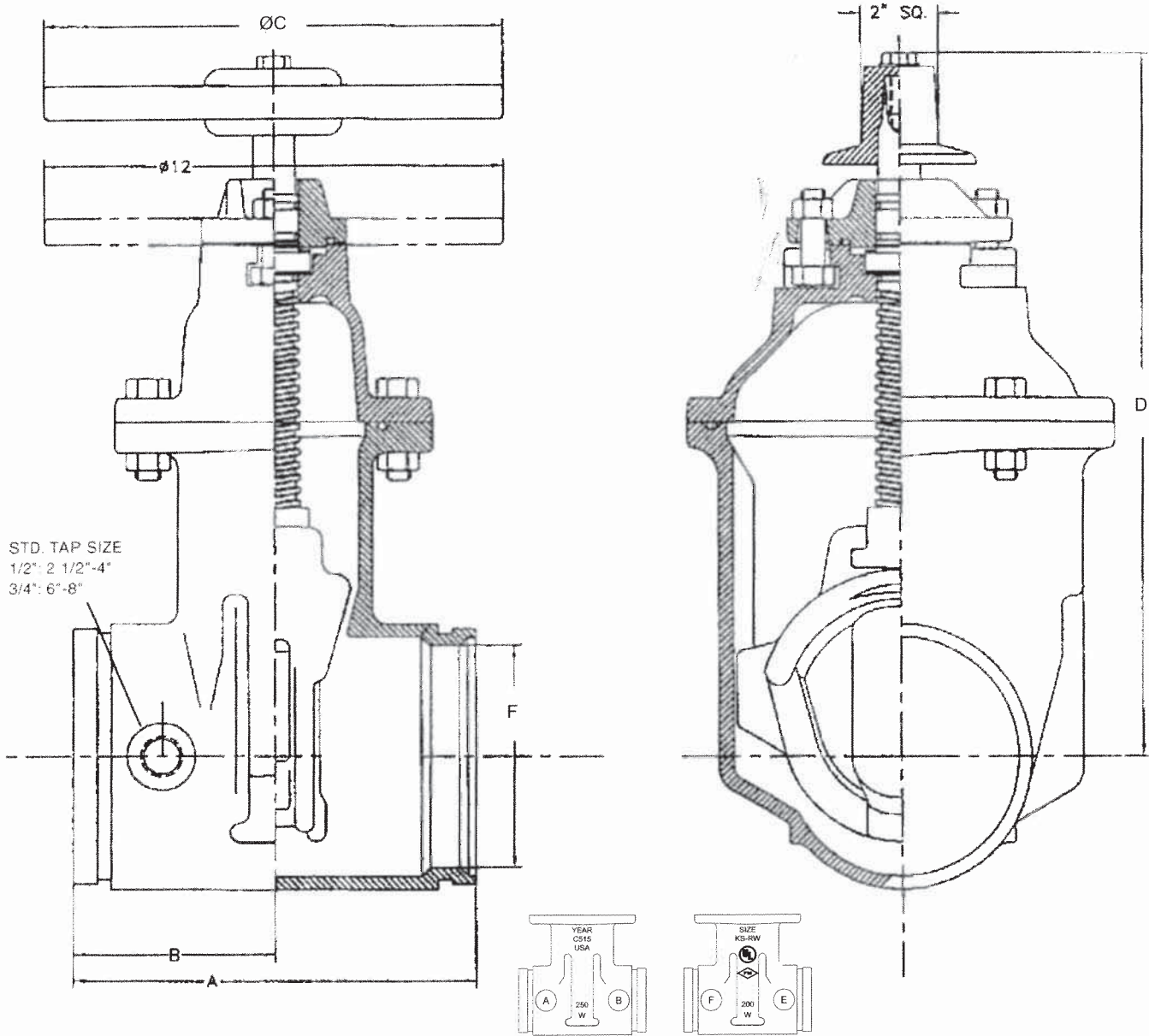


2 1/2"-10" R/S VALVE GROOVE ENDS NRS GENERAL DIMENSIONS

KENNEDY VALVE MODEL KS-RW

Complies with applicable requirements of AWWA C515

7593ABF
7593PABF



GRV X GRV VALVES ARE TAPPED & PLUGGED @ POSITIONS A, B AND F

VALVE SIZE	A	B	C	D	F
2 1/2	7 1/2	3 3/4	7 1/4	10 7/8	1.97
3	8	4	10	12 3/8	2.63
4	9	4 1/2	10	14 3/4	3.75
6	10 1/2	5 1/4	12	19	5.80
8	11 1/2	5 3/4	14	22 1/2	7.67
10	13	6 1/2	18	26 1/2	9.80

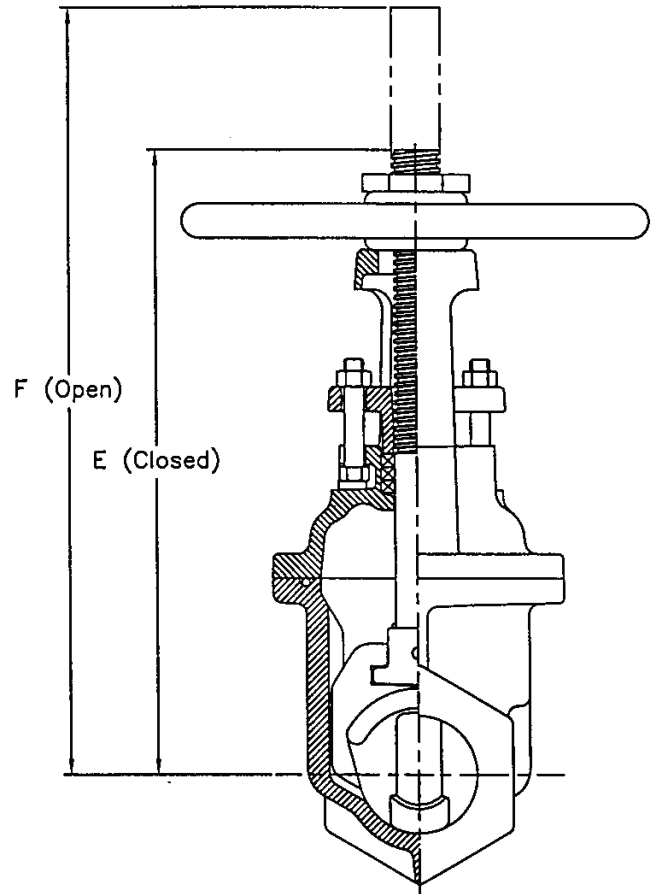
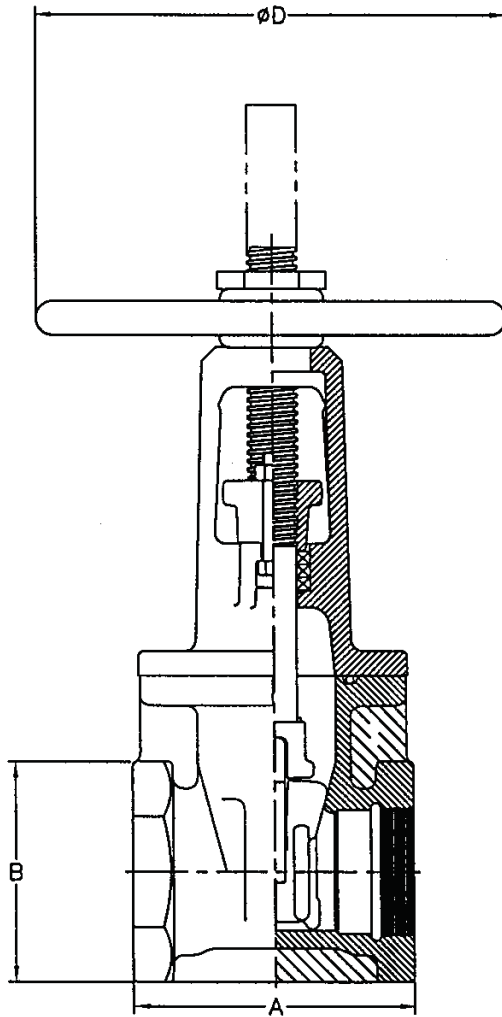


**2"-3" R/S VALVE THREADED ENDS
OS&Y GENERAL DIMENSIONS**

KENNEDY VALVE MODEL KS-RW

Complies with applicable requirements of AWWA C515

7067



VALVE SIZE	A	B	D	E	F	WEIGHT*
2	5 1/4	4 1/8	7 1/4	10	12	16G
2 1/2	7	5 3/16	7 1/4	13 7/8	16 3/8	40
3	7 1/2	5 3/16	10	15 5/8	18 7/8	5G



Kennedy Valve

A DIVISION OF McWANE, INC.

www.kennedyvalve.com

1021 E. Water Street • Elmira, New York 14901
P.O. Box 981
PHONE: (607) 734-2211 • FAX: 1-800-952-4771