



flexible venting
simply perfect

cost efficient

convenient

durable

Est. 1990



FREEDOM
FLEX
VENTING

INTRODUCTION

Freedom Flex Venting systems are top of the line when it comes to materials, cost efficiency and convenience with proven durability for 25 years. Made with two layers of rolled aluminum, our flexible vent pipes pass each and every certification test, exceeding industry standards.

Unlike aluminized steel and galvalume, our vent pipes are manufactured of 100% aluminum material and made to withstand the corrosive condensates from combustion.



SAVE ADDITIONAL **15%**

WITH BULK PURCHASES OF FREEDOM FLEX FLEXIBLE VENTING



FREEDOM FLEX FEATURES

- ✓ **COST EFFECTIVE.**
Not only does Freedom Flex cost up to 80% less than competitors' rigid vent, but an installation with Freedom Flex takes less than half the time!
- ✓ **FEWER PIECES AND CONNECTIONS NEEDED.**
Leading to less time and labor and less likely to leak.
- ✓ **SIMPLIFIED INSTALLATION BECAUSE OF EXPANDING LENGTHS.**
No wasted time measuring each section and up and down ladders or finding you forgot an elbow joint and delaying your install.
- ✓ **ADAPTABILITY FOR DIFFERENT APPLICATIONS OR A CHANGE IN THE POSITION OF THE FIREPLACE.**
Often the fireplace position may be "tweaked" for design purposes, which could require new parts and an offset in rigid venting as well as the need to disconnect and reconnect. With Freedom Flex, just bend or stretch to the new angle. Simple!
- ✓ **LESS WASTE.**
Used effectively, sections of Freedom Flex pipe that are cut off can be used in other fireplace applications offering additional cost savings.
- ✓ **CONVENIENCE.**
Freedom Flex is light weight and comes in 5' and 10' vent lengths that are compressed down to 20" and 40" lengths respectively to help not only with warehouse storage and work truck space, but also with the ease of handling.

TESTING STANDARDS

Our Freedom Flexible aluminum vent is produced from type 3003 aluminum alloy. Like rigid vent, it must meet the test requirements that are contained in the harmonized safety standards for vented gas fireplaces, ANSI Z21.88/ CSA 2.33 and ANSI Z21.50/ CSA 2.22. Beyond that, flexible vent must meet specific test requirements that are contained in UL 1777 Chimney Liners and ULC-S635 Standard for Lining Systems for Existing Masonry or Factory-Built Chimneys and Vents. **In short, Freedom Flex not only meets the same ANSI standards as other direct vent rigid pipe but also meets additional standards!**



SAVE 50%-75%

TIME IN LABOUR WHEN INSTALLING FREEDOM FLEX COMPARED TO RIGID VENTING

FLEX VENTING

Our flex venting system allows installers to maneuver around any obstacles without multiple parts. A few bends in the flexible venting will take you around a wall joist and continue on, while rigid venting requires you to stop and get elbow offsets and seal the connection, consuming more parts, labor and therefore, money.

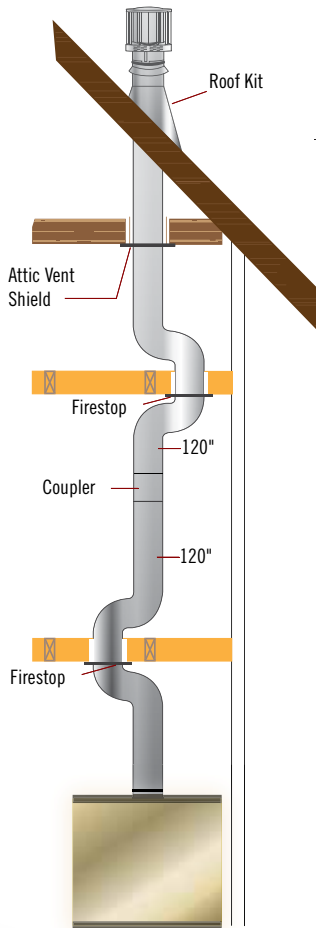
Our flexible venting system comes in 5' and 10' lengths that can compress down to 20" and 40" respectively in size, saving warehouse and truck space while contributing to ease of handling. Have a fireplace

installation with a 30' vent run going through two floor levels with multiple offsets? Order three 10' lengths and using two sets of couplers, seal and connect them together. Feed the venting through your firestops and connect to the fireplace collars and vertical terminal. Support every horizontal portion, every three feet and secure the vent pipe system into its final position to ensure clearance to combustibles are maintained. Your vent pipe installation is complete in a fraction of the time it would take to install a rigid vent pipe system, with more time left over for more installs in a day.

FLEX VS RIGID COMPLEX INSTALL

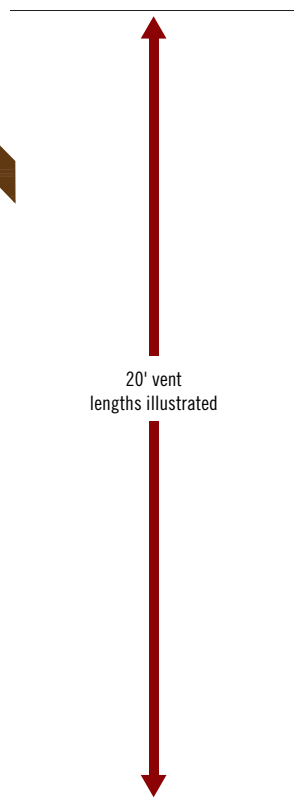
FLEX VENTING

- Attic vent shield
- Firestop
- 10' flexible venting
- 10' flexible venting
- Coupler
- Firestop
- TOTAL Parts: 6**
(plus roof kit)



FLEX VENTING

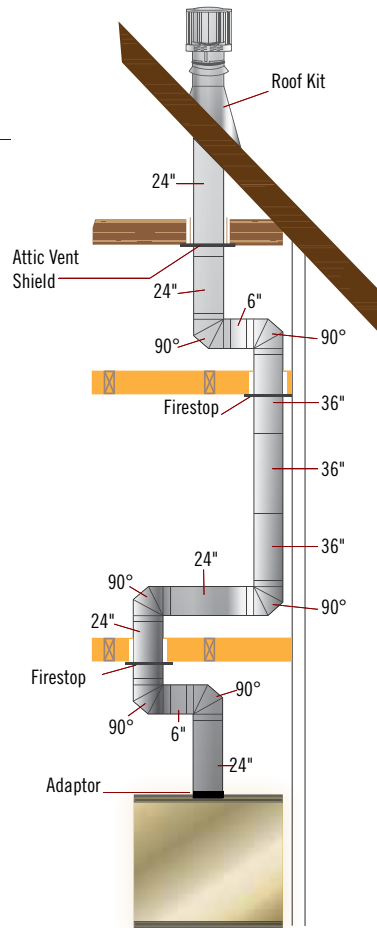
\$428⁰⁰
approx.



*Applicable supports may be required on install

RIGID VENTING

- 2' rigid venting
- Attic vent shield
- 2' rigid venting
- 90° elbow
- 6" rigid venting
- 90° elbow
- Firestop
- 3' rigid venting
- 3' rigid venting
- 3' rigid venting
- 90° elbow
- 2' rigid venting
- 90° elbow
- Firestop
- 2' rigid venting
- 90° elbow
- 6" rigid venting
- 90° elbow
- 2' rigid venting
- Adaptor
- TOTAL Parts: 20**
(plus roof kit)



RIGID VENTING

\$2093⁰⁰
approx.

SAVE UP TO 80%

IN COST OF PARTS COMPARED TO RIGID VENTING

FLEX VS RIGID COMPLEX INSTALL

The images below show you the difference in parts needed for the complex install (seen on page 3) with rigid venting and the same install with Freedom Flex venting. This isn't only about saving costs, this also affects the room in your work truck and the storage in your warehouse. Imagine how simple and easy it could be with Freedom Flex!



RIGID PARTS NEEDED



FREEDOM FLEX PARTS NEEDED

FLEX VENTING INSTALLATION

Even comparing a simple venting installation, Freedom Flex can make a huge impact on your time and cost! The example below shows a side view of a top vent appliance with a simple 2-3' vent path up and out through the wall.

Freedom Flex allows you to purchase ONLY two venting parts, saving TIME AND MONEY. Also, if you purchased a 5' length of Freedom Flex, you now have enough left over to do a similar application again!

FLEX VS RIGID SIMPLE INSTALL

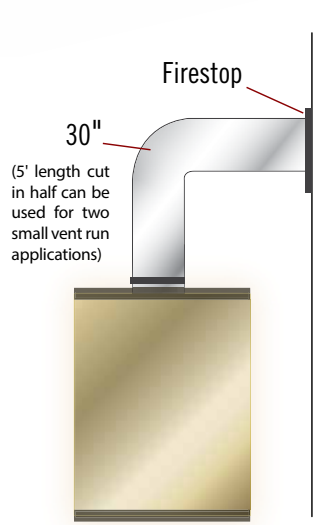
FLEX VENTING

5' flexible venting

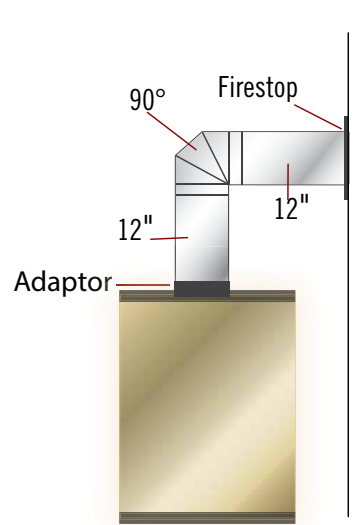
Firestop

TOTAL Parts: 2

(plus wall terminal kit)



FLEX VENTING



RIGID VENTING

RIGID VENTING

12" rigid venting

12" rigid venting

90° elbow

Firestop

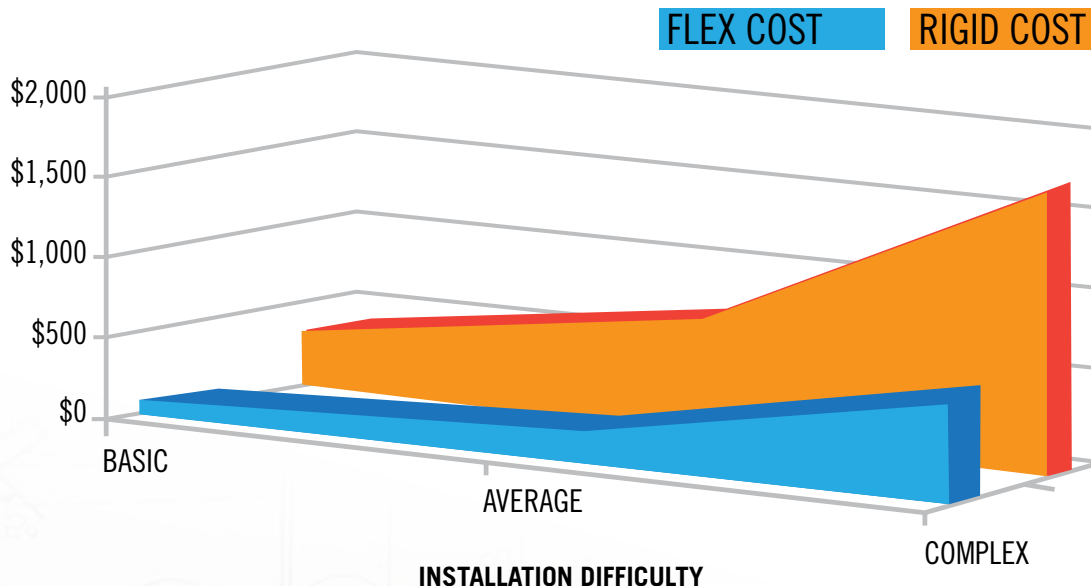
Adaptor

TOTAL Parts: 5

(plus wall terminal kit)

*Applicable supports may be required on install

COST COMPARISON BASED ON COMPLEXITY OF INSTALLATION



DIRECT VENT FIREPLACES

VENTING



5' Vent lengths, compressed to 20" in length.

Vent Size	Product Codes
4" x 7"	GD-220
5" x 8"	GD-420
8" x 10"	GD-620
8" x 11"	GD-820



5' Vent lengths, compressed to 20" in length in bulk kits.

Vent Size	Product Codes	Quantity
4" x 7"	GD-220-BULK	30
5" x 8"	GD420-BULK	18



10' Vent lengths, compressed to 40" in length.

Vent Size	Product Codes
4" x 7"	GD-330
5" x 8"	GD430
8" x 10"	GD630
8" x 11"	GD-830

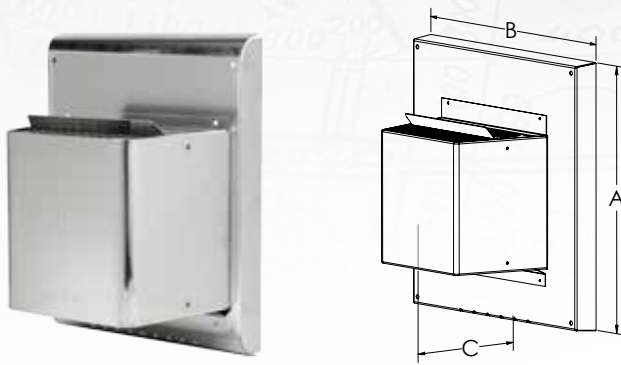


10' Vent lengths, compressed to 40" in length in bulk kits.

Vent Size	Product Codes	Quantity
4" x 7"	GD-330-BULK	10
5" x 8"	GD430-BULK	7

DIRECT VENT FIREPLACES

TERMINALS



Square wall terminal for through-wall termination.

Vent Size	Product Codes	Dimensions		
		A	B	C
4" x 7"	GD-222	14 3/8"	11 1/4"	7 1/2"
5" x 8"	GD422-1	16 3/8"	15 3/8"	7 1/2"



Square wall terminal for through-wall termination. Available in BULK pack of 12.

Vent Size	Product Codes
4" x 7"	GD-222-BULK
5" x 8"	GD422-1-BULK



Roof Termination Kit includes high wind termination cap, vent pipe collar and a rigid section support the cap down through the roof.

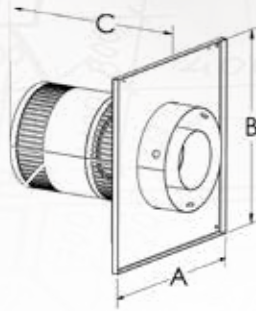
Vent Size	Product Codes
4" x 7"	GD-113
5" x 8"	GD413
8" x 10"	GD613
8" x 11"	GD813



Roof Termination Kit includes high wind termination cap, vent pipe collar and pipe available in BULK pack of 7.

Vent Size	Product Codes
4" x 7"	GD-113-BULK
5" x 8"	GD413BULK

DIRECT VENT FIREPLACES



Round wall terminal for through-wall termination.

Vent Size	Product Codes	Dimensions		
		A	B	C
4" x 7"	GD-222R	13"	13"	10 3/8"
5" x 8"	GD422R-1	15 9/32"	16 5/16"	7 9/16"
8" x 10"	GD622R	16"	16"	14 1/8"
8" x 11"	GD822R	17"	17"	14 1/8"

ROOF PITCH TERMINATION KITS



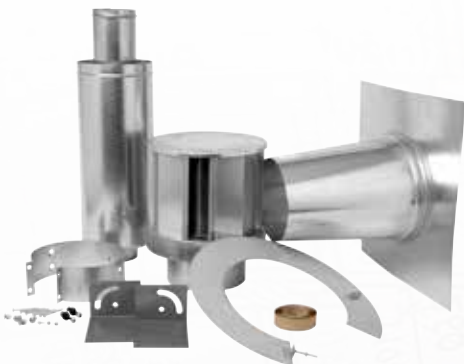
Roof Pitch Termination Kit for 1/12 to 7/12. Includes roof flashing, roof support, termination cap, vent pipe collar and hardware.

Vent Size	Product Codes
4" x 7"	GD-110
5" x 8"	GD410
8" x 10"	GD610
8" x 11"	GD-810



Roof Pitch Termination Kit for 8/12 to 12/12. Includes roof flashing, roof support, termination cap, vent pipe collar and hardware.

Vent Size	Product Codes
4" x 7"	GD-111
5" x 8"	GD411
8" x 10"	GD611
8" x 11"	GD-811



Roof Pitch Termination Kit for flat roofs. Includes roof flashing, roof support, termination cap, vent pipe collar and hardware.

Vent Size	Product Codes
4" x 7"	GD-112
5" x 8"	GD412
8" x 10"	GD612
8" x 11"	GD-812

DIRECT VENT FIREPLACES

VENT KITS



Through-Wall Top Vent Kit includes: one 5' long flex vent, one square wall terminal.

Vent Size	Product Codes
4" x 7"	GD7TVK
5" x 8"	GD8TVK



Through-Wall Rear Vent Kit includes: one 20" long flex vent and one square wall terminal.

Vent Size	Product Codes
4" x 7"	GD7RVK

NATURAL VENT FIREPLACES

VENTING KITS



3" Diameter Venting kit includes double ply aluminum liner, deluxe raincap, chimney flashing and termination plate.

Flex Vent Length	Product Codes
20'	GAKIT320
25'	GAKIT325
30'	GAKIT330
35'	GAKIT335

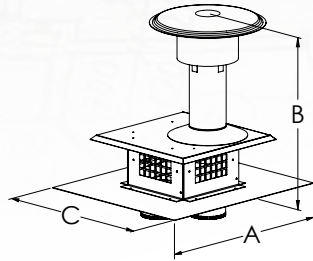


4" Diameter Venting kit includes double ply aluminum liner, deluxe raincap, chimney flashing and termination plate.

Flex Vent Length	Product Codes
20'	GAKIT420
25'	GAKIT425
30'	GAKIT430
35'	GAKIT435

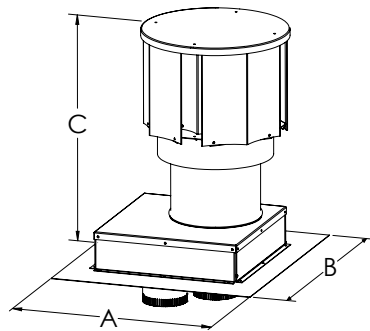
DIRECT VENT INSERTS

TERMINALS



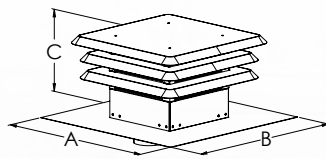
High Wind Co-Linear Terminal.

Product Codes	Dimensions		
	A	B	C
GDI-223	16"	13 1/4"	14 35/64"



Co-Linear Terminal.

Product Codes	Dimensions		
	A	B	C
GDI-226	14"	16"	16"



Universal Co-Linear Terminal.

Product Codes	Dimensions		
	A	B	C
GDI-229	8 3/8"	18"	18"

DIRECT VENT INSERTS

VENTING



Venting Kit with Reducer 1-2" and 1-3" double ply aluminum liner-inlet,exhaust and a 2-3" to 2" reducer. Available in three different lengths. Recommended for tight chimney installations.

Flex Vent Length	Product Codes
20'	GDI-2320KT
25'	GDI-2325KT
35'	GDI-2335KT

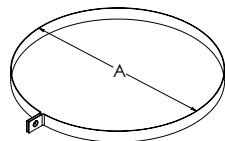


Venting Kit 2-3" double ply aluminum liner-inlet and exhaust. Available in three different lengths. Recommended for most chimney installations.

Flex Vent Length	Product Codes
20'	GDI-320KT
25'	GDI-325KT
35'	GDI-335KT

ACCESSORIES

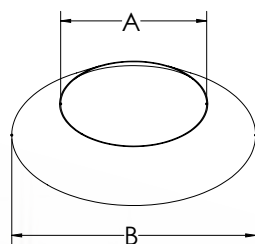
WALL SUPPORT



Wall Support Assembly used to support vent pipe.

Vent Size	Product Codes	Dimensions	
		A	
4" x 7"	W010-0370	8"	
5" x 8"	W010-0067	8 1/2"	

VENT PIPE COLLAR

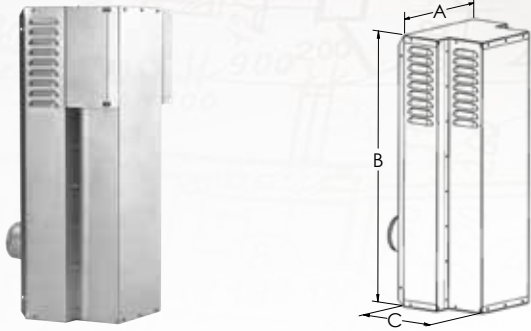


Vent Pipe Collar used to maintain a weather resistant seal between pipe and flashing.

Vent Size	Product Codes	Dimensions		
		A	B	C
4" x 7"	W170-0063			
5" x 8"	W170-0086	7 3/4"	12 3/4"	3"
8" x 10"	W170-0116			
8" x 11"	W170-0181			

ACCESSORIES

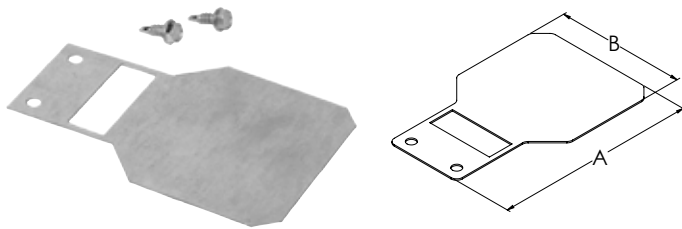
PERISCOPE



Periscope for use of a horizontal through-the-wall termination for wall penetration below grade. See instructions for details.

Vent Size	Product Codes	Dimensions		
		A	B	C
4" x 7"	GD-201	12"	29 1/8"	9 1/8"
5" x 8"	GD-401	12"	29 1/8"	9 1/8"

RESTRICTOR PLATE



Restrictor Plate to be used only in accordance with manufacturer's installation instructions to restrict the exchange of exhaust and combustion air.

Vent Size	Product Codes	Dimensions	
		A	B
4" x 7"	RP4	3 7/8"	2 1/2"
5" x 8"	RP5	5 1/16"	3"

GAS POWER VENT



Gas Power Vent Kit includes power vent terminal, power vent cord/wire harness (20") and electronic junction control box. Designed for use in conjunction with our 4"/7" Freedom Flex Vent systems.

Product Codes
GPV

SEALANT



Mill-pac a high temperature sealant, comes in a 10.3oz caulking tube.

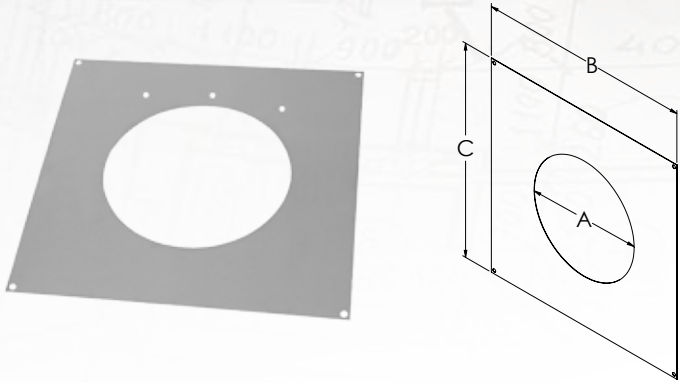
Product Codes
W573-0007

Also available in a BULK carton of 24.

Product Codes
W573-0012

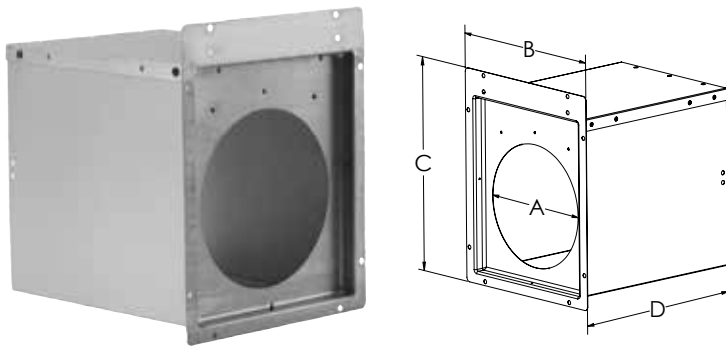
ACCESSORIES

FIRESTOPS



Firestop used to protect combustible materials where the pipe passes through a floor or wall.

Vent Size	Product Codes	Dimensions		
		A	B	C
7"	W500-0292	7 5/8"	13"	13"
8"	W500-0028	8 5/8"	16"	16"
10"	W010-1797	10 5/8"	16"	16"
11"	W010-3364	11 5/8"	17"	18"



Firestop/Vent Sleeve assembly used to support pipe for through wall/floor installations.

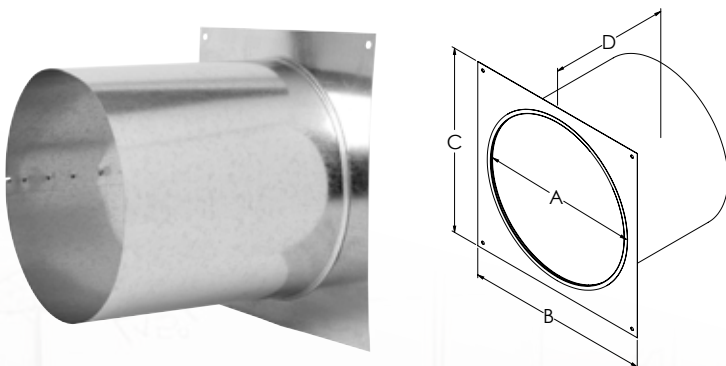
Vent Size	Product Codes	Dimensions			
		A	B	C	D
7"	VS47KT	7 5/8"	10 3/4"	13 1/4"	12"



Attic Firestop/Vent Sleeve assembly for through attic installations. Includes vent pipe shield, firestop and vent pipe collar.

Vent Size	Product Codes
7"	AVS47KT

VENT PIPE SHIELD

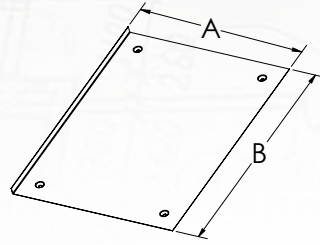


Vent Pipe Shield provides complete wall-pass-through and interior fire stop.

Vent Size	Product Codes	Dimensions			
		A	B	C	D
7"	W585-0072	7 5/8"	11 7/16"	11 7/16"	10
8"	W585-0092	10	12 7/16"	12 7/16"	10
10"	W585-0222	12	14 7/16"	14 7/16"	10
11"	W585-0834	13	15 7/16"	15 7/16"	10

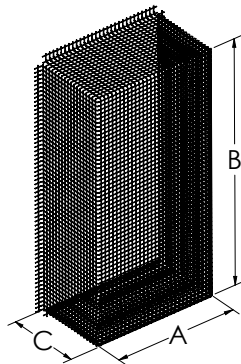
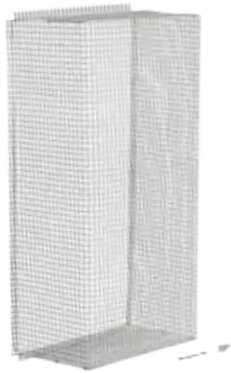
ACCESSORIES

HEAT SHIELD



Soffit Heat Shield for placement on soffit above a through-wall terminal to protect exhaust from entering into the attic.

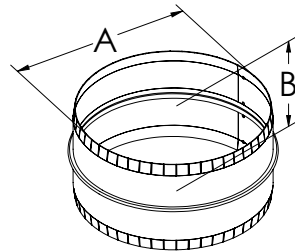
Vent Size	Product Codes	Dimensions	
		A	B
7" or 8"	W585-0096	18"	23 7/8"



Heat Guard used to prevent children or anything else from coming into contact with hot vent terminal.

Vent Size	Product Codes	Dimensions		
		A	B	C
7"	GD-301	11 5/8"	18 1/8"	8 3/4"
8"	GD-501	15"	30"	9"

COUPLER/KITS



Coupler used to connect two pieces of Freedom Flex pipe.

Vent Size	Product Codes	Dimensions	
		A	B
4"	W175-0001	3 15/16"	4"
5"	W175-0166	4 15/16"	4"
7"	W175-0013	6 15/16"	4"
8"	W175-0002	7 15/16"	4"
10"	W175-0249	9 15/16"	4"
11"	W175-0385	10 15/16"	4"



Coupler Kits to connect intake and exhaust direct vent Freedom Flex pipes.

Vent Size	Product Codes
4" x 7"	W175-0195
5" x 8"	W175-0196

INSTALLATION QUOTE

Date: _____ Customer Name: _____

Appliance: fireplace insert stove | Top vent rear vent | Diameter of venting needed: 4/6 5/8 8/10 8/11
 Roof or wall terminal: round square | Roof pitch needed: 1/12-7/12 8/12 - 12/12 Flat

Direct Vent Fireplaces		
Product Code	Page	Quantity
GD-220	6	
GD-420	6	
GD-620	6	
GD-820	6	
GD-220-BULK	6	
GD420-BULK	6	
GD-330	6	
GD430	6	
GD630	6	
GD-830	6	
GD-330-BULK	6	
GD430-BULK	6	
GD-222	7	
GD422-1	7	
GD-222-BULK	7	
GD422-1BULK	7	
GD-113	7	
GD413	7	
GD613	7	
GD813	7	
GD-113-BULK	7	
GD413BULK	7	
GD-222R	8	

Product Code	Page	Quantity
GD422R-1	8	
GD622R	8	
GD822R	8	
GD-110	8	
GD410	8	
GD610	8	
GD-810	8	
GD-111	8	
GD411	8	
GD611	8	
GD-811	8	
GD-112	8	
GD412	8	
GD612	8	
GD-812	8	
GD7TVK	9	
GD8TVK	9	
GD7RVK	9	
Natural Vent		
GAKIT320	9	
GAKIT325	9	
GAKIT330	9	
GAKIT335	9	
GAKIT420	9	

Product Code	Page	Quantity
GAKIT425	9	
GAKIT430	9	
GAKIT435	9	
Direct Vent Inserts		
GDI-223	10	
GDI-226	10	
GDI-229	10	
GDI-2320KT	11	
GDI-2325KT	11	
GDI-2335KT	11	
GDI-320KT	11	
GDI-325KT	11	
GDI-335KT	11	
Accessories		
W010-0370	11	
W010-0067	11	
W170-0063	11	
W170-0086	11	
W170-0116	11	
W170-0181	11	
GD-201	12	
GD-401	12	
RP4	12	
RP5	12	

Product Code	Page	Quantity
GPV	12	
W573-0007	12	
W573-0012	12	
W500-0292	13	
W500-0028	13	
W010-1797	13	
W010-3364	13	
VS47KT	13	
AVS47KT	13	
W585-0072	13	
W585-0092	13	
W585-0222	13	
W585-0834	13	
W585-0096	14	
GD-301	14	
GD-501	14	
W175-0001	14	
W175-0166	14	
W175-0013	14	
W175-0002	14	
W175-0249	14	
W175-0385	14	
W175-0195	14	
W175-0196	14	

Notes on Job: _____



F R E E D O M
FLEX
V E N T I N G

PROUD PRODUCT OF

 **WOLF STEEL** LTD.

Printed in Canada
ADBRFLEX 06/2015