



**DOMESTIC PRODUCTS
CATALOG
INDEX**

QUICK REFERENCE GUIDE

Page No.

Caps.....2-8
 Cap Cable Seals.....9
 Snorkel Vent.....10
 Pitless Adapters.....11-17
 Tank Tees.....18-20
 Pitless Units.....21-31
 Pipe Fittings.....32
 O-ring Selection Guide.....33
 Hand and Drinking Fountain Pumps.....34-37
 Cylinders, Flanges, and Pump Rods.....38-39
 Hydrants.....40-43
 At-The-Well Controls.....44-47
 Pressure Switches.....48
 Accessories.....49-50
 Ornamental Iron Products Horse Head.....51
 • Installation Instructions - Please See Catalogs; "Domestic Repair Parts" Or "Municipal And Industrial Products"
 • Repair Parts - Please See "Domestic Repair Parts" Catalog

A
 Aluminum Well Cap.....8
 At-The-Well Concept.....42
 At-The-Well Control Kit Plug-In.....45-46
 At-The-Well Control Kit Screw-In.....47
 Accessories.....49-50

B
 Brass Slide Type Pitless Adapter.....14
 Break-A-Way Tank Tee.....18-19
 Bulldog® Pitless Adapter.....13

C
 Cap Cable Seals.....9
 Cast Iron Watertight Locking Cap.....4
 Connections to the Well.....27

D
 Domestic Pitless Unit Features.....21
 Domestic Pitless Unit Ordering Information.....22
 DQ Pitless Unit Kit.....28
 Drinking Fountain Pump.....36

E
 E-Z Clamp-On Pitless Adapter.....17
 E-Z Weld-On Pitless Adapter.....16

F
 Flow Capacity of Magnum Frost Proof Yard Hydrant.....41
 Flow Capacity of Magnum Stainless Steel Frost Proof Yard Hydrant 43

H
 Hand Pump System Selection Guide.....34
 Hand Pump.....35
 Hand Pump Cylinder.....38
 Hand Pump Diverter.....37
 Hand Pump, Pump Flange and Pump Rod.....39

J
 Jet Pump Cap.....7

M
 Magnum Frost Proof Yard Hydrant.....40
 Magnum Stainless Steel Frost Proof Yard Hydrant.....42

O
 O-Ring Selection Guide.....33
 Ornamental Iron Products Horse Head.....51

P
 Pipe Fittings for Concentric Pipe Installation.....32
 Pitless Unit for Flowing Well.....26
 PJ Pitless Unit for Jet Pump *Features*.....29
 PJ Pitless Unit for Concentric Piping (Shallow Well).....30
 PJ Pitless Unit for Concentric Piping (Single Pipe Deep Well).....31
 Premium Ventilated Cap.....2
 Premium Watertight Cap.....5
 Premium Watertight Cap with Screened Air Vent.....6
 Pressure Switch.....48
 Pressurized Pitless Unit Kwikonect Style *Illinois Code Approved*.....25
 PS Domestic Pitless Unit Kwikonect Style.....24
 PS Domestic Pitless Unit Threaded Style.....23
 Pump Control Tank Tee.....20

S
 Screened Air Vent.....7
 Snappy® and Bulldog® Pitless Adapter Features.....11
 Snappy® Pitless Adapter.....12
 Snorkel Well Vent.....10
 Stainless Steel Slide Type Pitless Adapter.....15

T
 Turtle® Watertight Cap.....3



Updated 8-9-2018



PREMIUM VENTILATED CAP



PREMIUM VENTILATED CAP - Attaches to the well casing with three square head set screws. The conduit attaches to the threaded adapter which allows the cap to be removed without disturbing the wiring. This well cap is made of high quality gray cast iron, painted green, and oven dried to produce a durable finish.

*8VR Vermin resistant cast iron cap includes rubber gasket, large vented screen and a 1¼" conduit tapping.



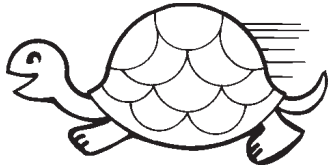
Made in the USA

PREMIUM VENTILATED CAP

ORDER NO.	WEIGHT	O.D. CASE SIZE	CONDUIT TAP SIZE
4V	7 lb	4½"	1"
5V	9 lb	5 ⅙"	1"
5.6V	9 lb	6"	1"
6V	9 lb	6⅝"	1"
6.6V	9 lb	7"	1"
7V	10 lb	7⅞"	1"

8VR CAST IRON VERMIN WATERTIGHT CAP

ORDER NO.	WEIGHT	O.D. CASE SIZE	CONDUIT TAP SIZE
8VR	20.5 lb	8⅝"	1¼"



TURTLE® WATERTIGHT CAP



TURTLE® VERMIN WATERTIGHT CAP - A two piece cast iron cap featuring a Neoprene O-ring seal on the well. The top of the cap removes for easy well servicing. Standard WE1 series cap attaches to a steel or PVC well casing with three square head bots. WE1P series cap for PVC casing attach by using a solvent weld (glue). All models have two large screened vent areas. This well cap is painted green, and oven dried to produce a durable high quality finish.

*All hardware is stainless steel

*Conforms to Water System Council PAS-97(2017)

Personalized Turtle Watertight Caps are available upon request. Personalized well caps are cast into iron cap or hot stamped into ABS cap. Minimum order of 50 personalized well caps per well size. Please allow for a ±10% deviation on personalized well caps.



Made in the USA

CAST IRON VERMIN WATERTIGHT TURTLE CAP

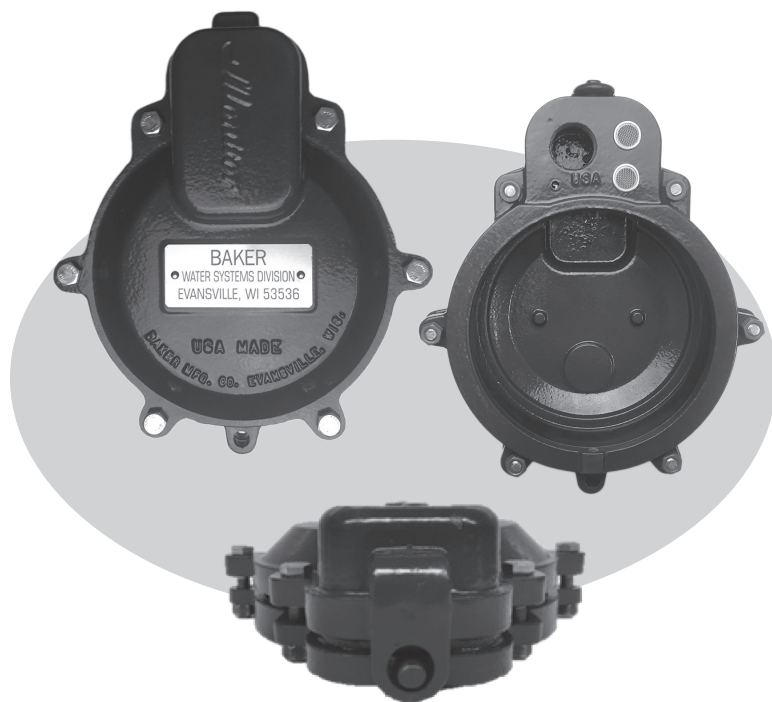
CAST IRON LID AND CAST IRON BASE RING			CAST IRON LID AND PVC BASE RING		O.D. CASE SIZE	CONDUIT TAP SIZE
ORDER NO.	MAXIMUM CASING O.D.	WEIGHT	ORDER NO.	WEIGHT		
4WE1	4.545"	6 lb	4WE1P	4.125 lb	4½"	1"
4.5WE1		9 lb			5"	1"
5WE1	5.618"	7 lb	5WE1P	4.5 lb	5 ⅙"	1"
5.5WE1		10 lb			6"	1"
6WE1	6.69"	8 lb	6WE1P	5 lb	6⅝"	1"
6WE11.2	6.69"	8 lb			6⅝"	1¼"
6.5WE11.2*		12 lb			7"	1¼"
6.9WE11.2		12 lb			6 ⅙"	1¼"
7WE11.2	7.70"	10 lb			7⅝"	1¼"

ABS VERMIN WATERTIGHT TURTLE CAP

ABS LID AND CAST IRON BASE RING				ABS LID AND PVC BASE RING				O.D. CASE SIZE	CONDUIT TAP SIZE
ORDER NO. SINGLE CAP	WEIGHT	ORDER NO. 6 PACK	WEIGHT	ORDER NO. SINGLE CAP	WEIGHT	ORDER NO. 6 PACK	WEIGHT		
4PM1	3.8 lb	4PM61	23 lb	4PT1	1.3 lb	4PT61	8 lb	4½"	1"
4.5PM1	4 lb	4.5PM61	24 lb					5"	1"
5PM1	4.2 lb	5PM61	25 lb	5PT1	1.7 lb	5PT61	10 lb	5 ⅙"	1"
5.5PM1	5 lb	5.5PM61	30 lb					6"	1"
6PM1	4.3 lb	6PM61	26 lb	6PT1	1.8 lb	6PT61	11 lb	6⅝"	1"
6PM11.2	4.3 lb	6.5PM611.2	26 lb					6⅝"	1¼"



CAST IRON WATERTIGHT LOCKING CAP



CAST IRON WATERTIGHT LOCKING CAP - A cast iron watertight locking well cap securely seals the upper well casing of both steel and PVC well casings. The watertight seal is developed through tightening of six bolts, which compress the seal between the cap and ring. This model has two large screened air vents to effectively vent the well below. The vented well cap is both vermin and contaminant resistant. The green powder coat paint finish is durable and high-quality. The hinged locking feature provides a simple and secure installation. Its improved conduit design allows for additional space for submersible pump and motor cables.

Personalized Cast Iron Watertight Locking Caps are available upon request. Personalized name plate well caps are cast into iron cap or engraved onto a name plate. Other personalized options include choosing a durable, high-quality powder coat finish color; 76 color options available. Minimum order of 50 personalized name plate well caps cast into iron cap. Please allow for a $\pm 10\%$ deviation on personalized name plate well caps cast into iron cap.

*All hardware is stainless steel

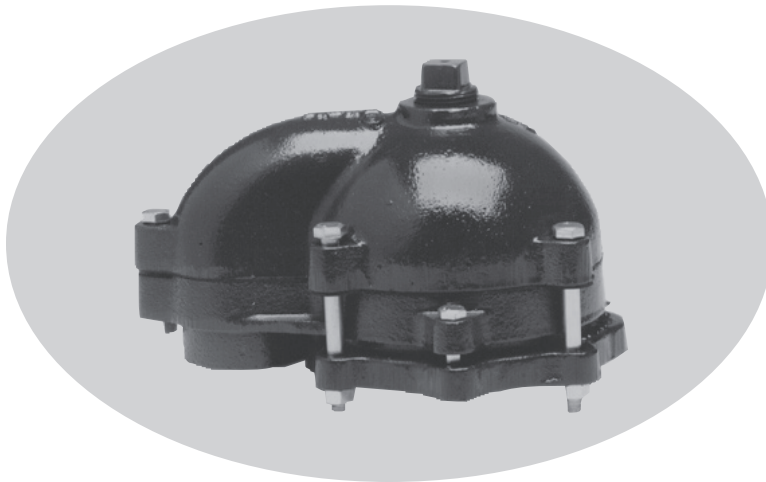


Made in the USA

CAST IRON WATERTIGHT LOCKING CAP

ORDER NO.	CASE SIZE	CONDUIT TAP SIZE	VENT SIZE	WEIGHT
6WTCLUS	6 $\frac{5}{8}$ " O.D.	1" FPT	(2) $\frac{1}{2}$ " diam	11.5 lb
6WTCLUS1.2	6 $\frac{5}{8}$ " O.D.	1 $\frac{1}{4}$ " FPT	(2) $\frac{1}{2}$ " diam	11.5 lb

PREMIUM WATERTIGHT CAP



PREMIUM WATERTIGHT CAP - A truly watertight cap which is secured to the Pitless casing with a compression gasket. The top of the cap can be removed without effecting the seal, conduit or wiring. This watertight cap can be used as a vacuum seal when conduit is plugged to a maximum 20 psi. The watertight cap is made of high quality gray cast iron, painted green, and oven dried to produce a durable finish.

*All hardware is stainless steel

*Conforms to Water System Council PAS-97(2017)

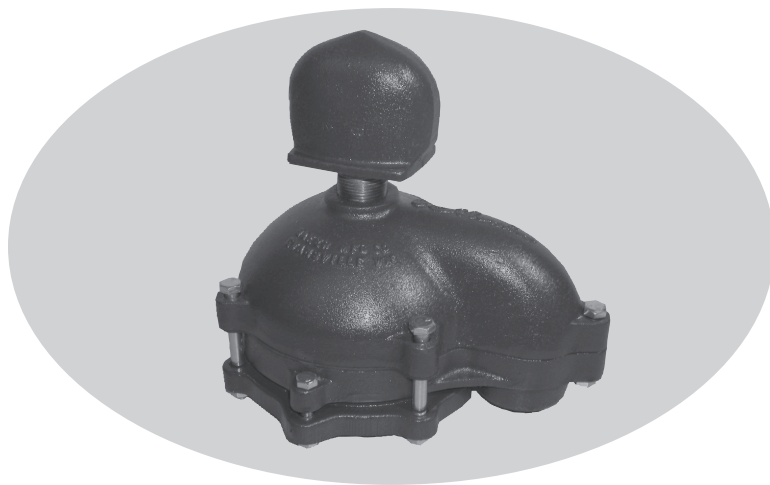


PREMIUM WATERTIGHT CAP

ORDER NO.	O.D. CASE SIZE	MAXIMUM O.D. CASE SIZE	CONDUIT TAP SIZE	VENT TAP SIZE	WEIGHT
4W	4½"	4.545"	1½"	1"	13 lb
5W	5 ⅙"	5.168"	1½"	1"	16 lb
6W	6⅝"	6.69"	1½"	1¼"	19 lb
6.6W	7"	7.07"	1½"	1¼"	21 lb
7W	7⅝"	7.70"	1½"	1½"	22 lb
8W	8⅝"	8.71"	1½"	2"	41 lb
10W	10¾"	10.86"	3"	2½"	62 lb
12W	12¾"	12.88"	3"	2½"	120 lb



PREMIUM WATERTIGHT CAP WITH SCREENED AIR VENT



PREMIUM WATERTIGHT CAP WITH SCREENED AIR VENT - A truly watertight cap which is secured to the Pitless casing with a compression gasket. The top of the cap can be removed without effecting the seal, conduit or wiring. This model contains a Monitor® stainless steel vent screen. The watertight cap is made of high quality gray cast iron, painted green, and oven dried to produce a durable finish.

*Approved for Illinois, Michigan, and Wisconsin

*All hardware is stainless steel

*Conforms to Water System Council PAS-97(2017)



PREMIUM WATERTIGHT CAP WITH SCREENED AIR VENT

ORDER NO.	O.D. CASE SIZE	MAXIMUM O.D. CASE SIZE	CONDUIT TAP SIZE	VENT TAP SIZE	WEIGHT
4WPSM	4½"	4.545"	1½"	1"	16 lb
5WPSM	5 ⅞"	5.618"	1½"	1"	18 lb
6WPSM	6 ⅝"	6.69"	1½"	1¼"	21 lb
6.6WPSM	7"	7.07"	1½"	1¼"	23 lb
7WPSM	7 ⅝"	7.70"	1½"	1½"	24 lb
8WPSM	8 ⅝"	8.71"	1½"	2"	47 lb
10WPSM	10¾"	10.860"	3"	2½"	74 lb
12WPSM	12¾"	12.88"	3"	2½"	132 lb

JET PUMP CAP



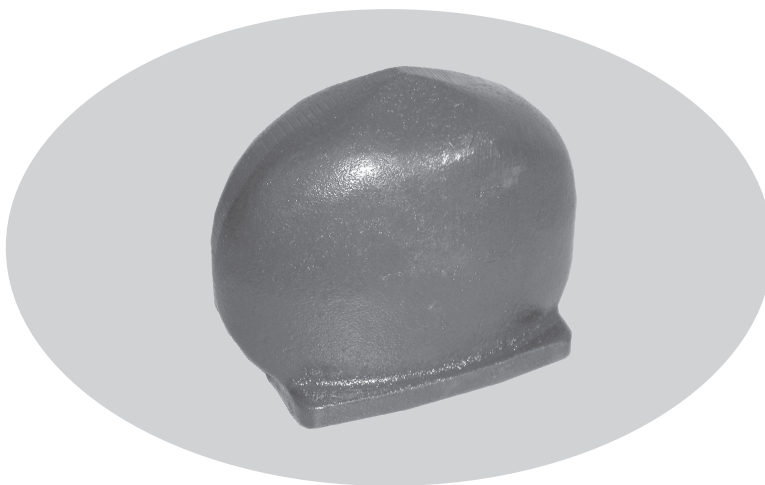
JET PUMP CAP - Monitor cap for jet pump installations. The 3WJ cap is a watertight cap designed to be threaded onto the Pitless casing. This model contains a Monitor screened well vent and 1" pipe nipple.



PREMIUM WATERTIGHT CAP

ORDER NO.	TYPE	I.D. CASE SIZE	WEIGHT
3WJ	Watertight	3"	5 lb

SCREENED AIR VENT



SCREENED AIR VENT - Protected well vent for use on watertight cap installations. This well vent consists of 24 mesh stainless steel screens assembled into a high quality iron casting. This engineered design protects the screen from any potential damage.



PREMIUM WATERTIGHT CAP

ORDER NO.	TAP SIZE	WEIGHT
70PS	1"	2 lb
71PS	1¼"	2.5 lb
72PS	1½"	3.5 lb
73PS	2"	7 lb
74PS	2½"	11 lb



ALUMINUM WELL CAPS



ALUMINUM WELL CAP - A vermin resistant well cap made of 319 aluminum and includes a molded Kroyton "G" $\frac{3}{16}$ " gasket. The base ring is made of 713 Tenzaloy aluminum for added strength.



Made in the USA

WATERTIGHT ALUMINUM WELL CAP 4" - 12"

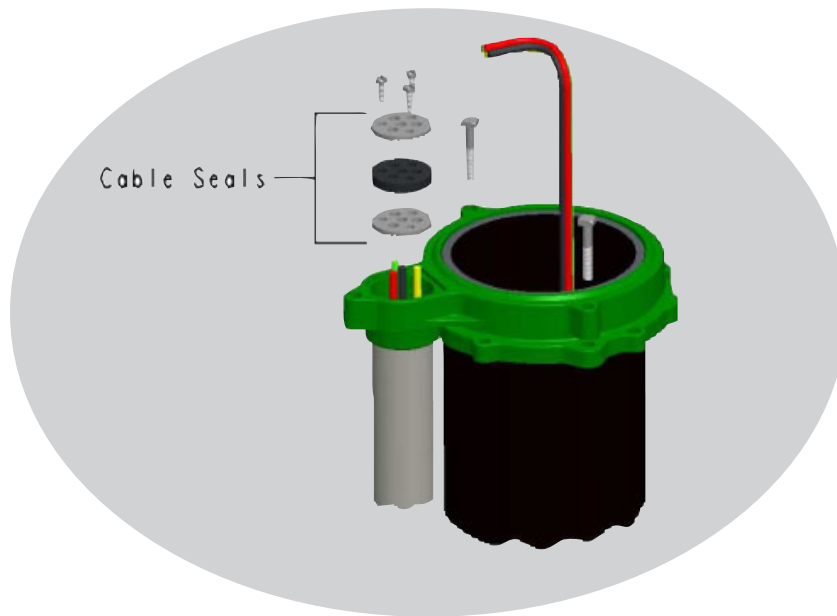
ORDER NO.	O.D. CASING SIZE	CONDUIT TAP SIZE	BOX QUANTITY	WEIGHT PER CAP
4WTVA12	4½"	1"	12	2.16 lb
4.5WTVA12	5"	1"	12	2.71 lb
5WTVA12	5 $\frac{9}{16}$ "	1"	12	2.38 lb
5.5WTVA10	6"	1"	10	3.13 lb
6WTVA10	6½"	1¼"	10	2.83 lb
7WTVA	7"	1¼"	1	3.1 lb
7.5WTVA	7½"	1¼"	1	4.9 lb
8WTVA	8½"	1¼"	1	4.3 lb
10WTVA	10¾"	1¼"	1	9 lb
12WTVA	12¾"	1¼"	1	11 lb

VENTILATED ALUMINUM WELL CAP 4" - 8"

ORDER NO.	O.D. CASING SIZE	CONDUIT TAP SIZE	BOX QUANTITY	WEIGHT PER CAP
4VA12	4½"	$\frac{3}{4}$ "	12	1.63 lb
5VA12	5 $\frac{9}{16}$ "	$\frac{3}{4}$ "	12	2 lb
6VA10	6½"	1"	10	2.3 lb
7VA	7"	1"	1	2.94 lb
8VA	8½"	1"	1	3.4 lb

Note: Ventilated well caps are not vermin proof.

CAP CABLE SEALS



CAP CABLE SEALS - For use in 4" - 14" Monitor® Premium Watertight well caps.



PREMIUM WATERTIGHT CAPS

4" - 8"

ORDER NO.	CABLE RANGE	CABLE SIZE	CABLE MATERIAL
65PS4	0.125" - 0.187" O.D.	#14, #12	Four wire twisted plastic
66PS4	0.187" - 0.312" O.D.	#10, #8, #6, #14, #12	Four wire twisted plastic
67PS4	0.312" - 0.437" O.D.	#8, #6	Four wire twisted plastic

PREMIUM WATERTIGHT CAPS

10", 12", AND 14"

ORDER NO.	CABLE RANGE	CABLE SIZE	CABLE MATERIAL
53UK4	0.125" - 0.187" O.D.	#14, #12, #10	Four wire twisted plastic
54UK4	0.187" - 0.312" O.D.	#8, #6	Four wire twisted plastic
55UK4	0.312" - 0.437" O.D.	#4, #3, #2	Four wire twisted plastic
56UK4	0.437" - 0.500" O.D.	#1, #1/0	Four wire twisted plastic
57UK4	0.500" - 0.625" O.D.	#2/0, #3/0	Four wire twisted plastic
58UK4	0.625" - 0.750" O.D.	#4/0, 250MCM, 300MCM	Four wire twisted plastic



SNORKEL WELL VENT



Snorkel Well Vent and Premium Watertight Well Cap
Kits available; please call for details.

SNORKEL WELL VENT - The ideal preventative measure where spring rains and flooding in low lying areas are a problem. Designed to attach to a 1¼" NPT pipe in order to vent port on cap. The Snorkel Well Vent offers protection up to depths of 20 feet of water when used with a Premium Watertight Cap and Cap Cable Seals.

*Open vent area conforms to 10 State Code, Michigan, Wisconsin, and Water System Council PAS-97(2017)

*1¼" NPT pipe not included



Made in the USA



Snorkel Well Vent
Order No. 1.25SV



SNAPPY® AND BULLDOG® PITLESS ADAPTER FEATURES

ECONOMICAL . . .Regular well casing is used all the way. Extra cost of larger upper well casing used with spool-type units and expensive pit or well house construction are eliminated.

FROST PROOF . . . No heating required. All water passages are buried below the frost line.

SANITARY . . .No heated pump house or well pit is needed.

PUMP IS EASILY SET . . . by simply lowering pump into well suspended from drop pipe fitting with neck of the latter pointed in the casing fitting direction.

PUMP IS EASILY PULLED . . . *by first supporting drop pipe with hoist and then pulling control cable to free pump.*

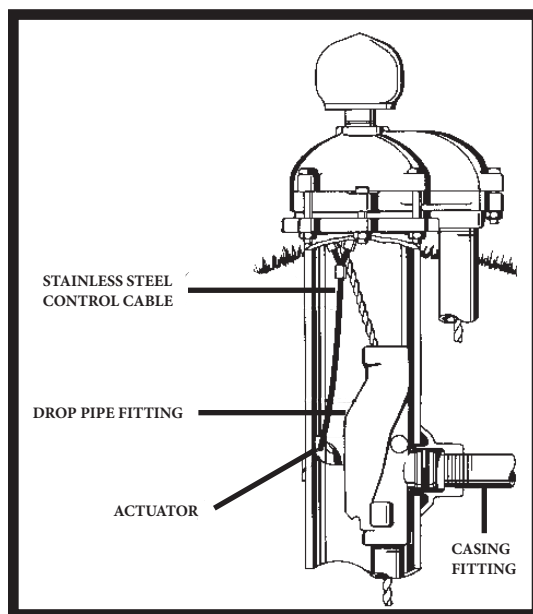
CORROSION PROTECTION . . . The Snappy clamp-on casing fittings are lead-free galvanized gray iron. All parts within the well casing are either hot-dipped galvanized or constructed of corrosion resistant materials. All cast parts of the Bulldog pitless adapter are of high quality lead free red brass and conform to NSF/ANSI 372 standards. Remaining parts are of 304 stainless steel or other corrosion resistant material. Springs are of phosphor bronze; O-rings are neoprene.

FULL CASING OPENING . . . provided by Snappy and Bulldog when pump is removed facilitates well and pump service, is often required by well codes and ordinarily necessary where a well screen is used.

MONITOR® AT-THE-WELL PITLESS ACCESSORIES. . . Allows for the pressure switch to be located in the well casing. For a description of the At-The-Well Control and ordering information please check the At-The-Well section of this catalog.

SNAPPY AND BULLDOG ADAPTERS WILL SUPPORT 1,000 lb PRESSURE RATED AT 250 psi.

To install a Snappy or Bulldog pitless adapter you must first excavate (per OSHA regulations) around the well casing and cut a hole in the casing below the frost line. The Snappy or Bulldog casing fitting is then attached to the casing around the hole to provide a sanitary water service connection. The submersible pump and drop pipe are suspended from the Snappy or Bulldog drop pipe fitting. The drop fitting discharge is pointed toward the hole in the casing as the pump, drop pipe, and drop fitting are lowered into the well. When the drop fitting discharge reaches the open hole in the casing, the drop fitting actuator forces the discharge port into the inner machined surface of the casing fitting and locks it in place. Once the discharge port is properly seated within the machined surface of the casing fitting, and the actuator is fully engaged, the submersible pump and drop pipe are fully supported and secured.



To remove the submersible pump the drop fitting **MUST** first be supported by a pump hoist. This is accomplished by threading a pull pipe into the threaded pull pipe port located on the top side of the drop fitting; and properly supporting the pull pipe with a pump hoist. Mark the pull pipe and the top of the well casing toward the direction of the water service connection. This will help locate the casing fitting during replacement. The Snappy or Bulldog drop fitting can then be disengaged from the casing fitting by pulling up on the stainless steel release cable. The motion of pulling up on the release cable will remove the drop fitting discharge port from within the casing fitting machine surface. Once the drop fitting is disengaged the drop fitting, drop pipe, and submersible pump can be removed from the well.

SNAPPY PITLESS ADAPTERS

- 4" to 6¼" I.D. well sizes
- Lead free galvanized cast iron
- 1" and 1¼" drop and discharge pipe

BULLDOG PITLESS ADAPTERS

- 4", 5" and 6" I.D. well sizes
- Lead free red brass
- 1" and 1¼" drop and discharge pipe

Conforms to Water Systems Council PAS-97(2017)
Conforms to NSF/ANSI 372



NOTE: Improper chlorination can lead to corrosion



SNAPPY® PITLESS ADAPTER



SNAPPY PITLESS ADAPTER - Manufactured from lead free galvanized cast iron. This pitless adapters is available for well sizes 4" - 6¼" I.D. with a drop and discharge pipe size of 1" or 1¼".

*Conforms to Water Systems Council PAS-97(2017)

*Conforms to NSF/ANSI 372



Made in the USA

SNAPPY PITLESS ADAPTER

1" DROP PIPE AND DISCHARGE ORDER NO.	WEIGHT	1¼" DROP PIPE AND DISCHARGE ORDER NO.	WEIGHT	WELL SIZE I.D.	MINIMUM - MAXIMUM I.D.
8PL41U	10 lb	8PL41.2U	11 lb	4"	3.981" - 4.130"
*8PL41U/3	30 lb	*8PL41.2U/3	33 lb	4"	3.981" - 4.130"
8PL4.31U	11 lb	8PL4.31.2U	12 lb	4½"	4.444" - 4.607"
8PL51U	12 lb	8PL51.2U	12 lb	5"	4.991" - 5.166"
8PL5.21U	12 lb			5 ⅜" - 5 ⅙" O.D.	5.137" - 5.286"
8PL5.25.61U	10 lb			5 ⅜" - 6" O.D.	5.137" - 5.286"
8PL61U	14 lb	8PL61.2U	14 lb	6"	5.906" - 6.201"
8PL6.21U	14 lb	8PL6.21.2U	14 lb	6¼"	6.189" - 6.367"

* denotes three pack

Note: To order Snappy Pitless Adapters with tapping for At-The-Well controls please insert the letter "P" after the number indicating the well size in the order number (example 4PL4P1U).

PRESSURIZED SNAPPY PITLESS ADAPTER ILLINOIS AND MICHIGAN

ORDER NO.	DROP PIPE AND DISCHARGE SIZE	WEIGHT	WELL SIZE I.D.	MINIMUM - MAXIMUM I.D.
8PL04P1	1"	12 lb	4"	3.981" - 4.130"
8PL05P1.2	1¼"	13 lb	5"	4.991" - 5.166"
8PL06P1.2	1¼"	15 lb	6"	5.906" - 6.201"

Note: To order Snappy Pitless Adapters with tapping for At-The-Well controls please replace the "0" with "T" in the order number (example 8PLT4P1).

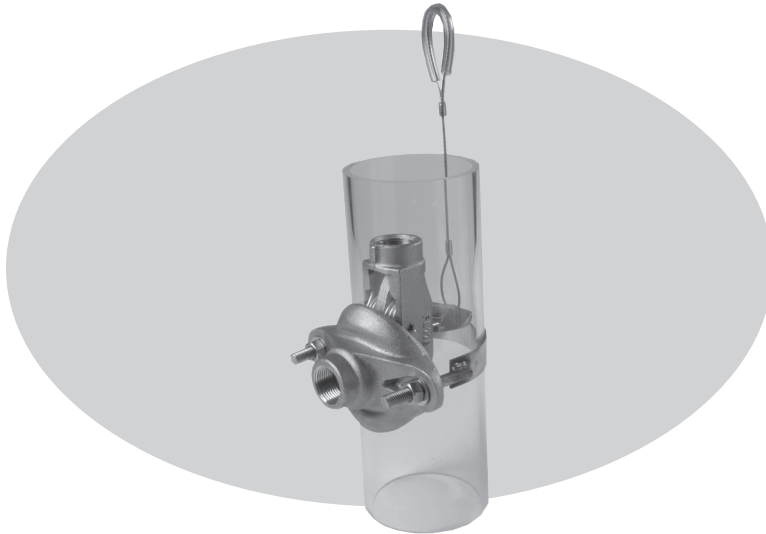
Note: The Pressurized Snappy Pitless Adapter is equipped with dual O-rings on the casing fitting to insure a watertight seal at the well and to meet Illinois and Michigan code requirements.

Baker Water Systems Division - Monitor • Evansville, WI 53536

Phone: 800-356-5130 • Fax: 608-882-3777

www.bakerwatersystems.com

BULLDOG® PITLESS ADAPTER



BULLDOG PITLESS ADAPTER - Manufactured from high quality lead free red brass. This pitless adapter is available for well sizes 4", 5", and 6" I.D. with a drop and discharge pipe size of 1" or 1¼".

*Conforms to Water Systems Council PAS-97(2017)

*Conforms to NSF/ANSI 372

BULLDOG PITLESS ADAPTER

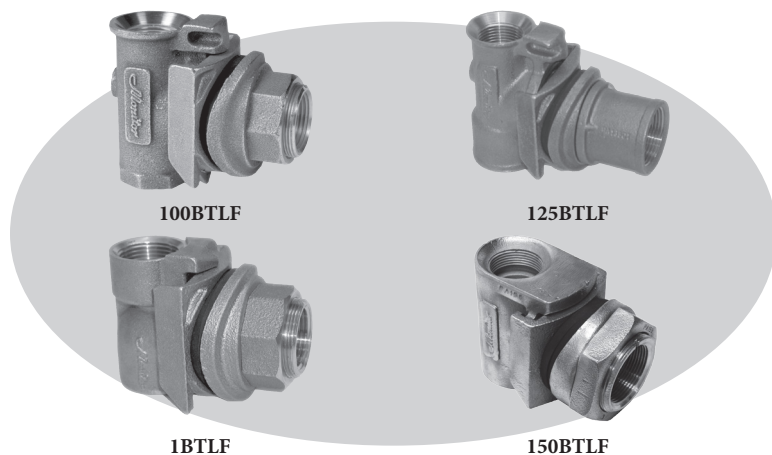
1" DROP PIPE AND DISCHARGE ORDER NO.	WEIGHT	1¼" DROP PIPE AND DISCHARGE ORDER NO.	WEIGHT	WELL SIZE I.D.	MINIMUM - MAXIMUM I.D.	LEAD FREE
4AOLF	7 lb	4BOLF	8 lb	4"	3.981" - 4.130"	YES
5AOLF	7 lb	5BOLF	8 lb	5"	4.991" - 5.166"	YES
6AOLF	7 lb	6BOLF	8 lb	6"	5.906" - 6.201"	YES

SNAPPY AND BULLDOG PITLESS ADAPTER O-RING SELECTION GUIDE

O-RING ORDER NO.	DESCRIPTION	O.D. DIAMETER
PL3	1" drop fitting - standard or pressurized	1⅝"
PL40	1¼" drop fitting - standard or pressurized	1⅞"
PL34	Standard drop fitting - all sizes	3⅝"
PL86	4" well size - inner O-ring	2⅞"
PL85	4" well size - outer O-ring	4⅝"
PL84	5" and 6" well size - inner O-ring	3⅝"
PL83	5" and 6" well size - outer O-ring	5¼"



BRASS SLIDE TYPE PITLESS ADAPTER



BRASS SLIDE TYPE PITLESS ADAPTER - Designed for greater strength and constructed of precision machined high quality lead free red brass. This adapter provides for easier installation, convenient servicing, and improved sanitation.

*Conforms to Water Systems Council PAS-97(2017)

*Conforms to NSF/ANSI 372

FEATURES

- All models (including 1¼" NPT sizes) are installed with a 1¾" diameter hole in the well casing eliminating the need for several size hole saws
- Nipple and nut contain fine pitch threads for a secure seal
- Vertical indicators
- Generously molded gaskets for a sanitary secure seal on the well casing
- Large bevels on edges of the male slides make for easier insertion on mating parts
- Pressurized models contain a small port in the nipple allowing the sealed area between gaskets to fill with water under system pressure, this design prevents the entry of contamination as required by the state of Illinois

BRASS SLIDE TYPE PITLESS ADAPTER

ORDER NO.	WELL SIZE I.D.	DROP PIPE SIZE	DISCHARGE PIPE SIZE	LIFT OUT PIPE SIZE	PRESSURIZED	SAFE LOAD LIMIT	WEIGHT	LEAD FREE
1BTLF	5" - 8"	1"	1"	1"	NO	1500 lb	3.5 lb	YES
*1BTBLF	5" - 8"	1"	1"	1"	NO	1500 lb	3.5 lb	YES
100BTLF	5" - 8"	1"	1"	1"	NO	2500 lb	3.75 lb	YES
125BTLF	5" - 8"	1¼"	1¼"	1"	NO	2500 lb	4.5 lb	YES
1BPTLF	5" - 8"	1"	1"	1"	YES	1500 lb	3.5 lb	YES
100BPTLF	5" - 8"	1"	1"	1"	YES	2500 lb	3.75 lb	YES
125BPTLF	5" - 8"	1¼"	1¼"	1"	YES	2500 lb	4.5 lb	YES
1251BTLF	5" - 8"	1¼"	1"	1"	NO	2500 lb	3.8 lb	YES
150BTLF	6" - 8"	1½"	1½"	1¼"	NO	6000 lb	8.2 lb	YES
150BPTLF	6" - 8"	1½"	1½"	1¼"	YES	6000 lb	8.2 lb	YES
150BTCLF	6" - 8"	1½"	1½"	1¼"	NO	6000 lb	8.2 lb	YES
150BPTCLF	6" - 8"	1½"	1½"	1¼"	YES	6000 lb	8.2 lb	YES

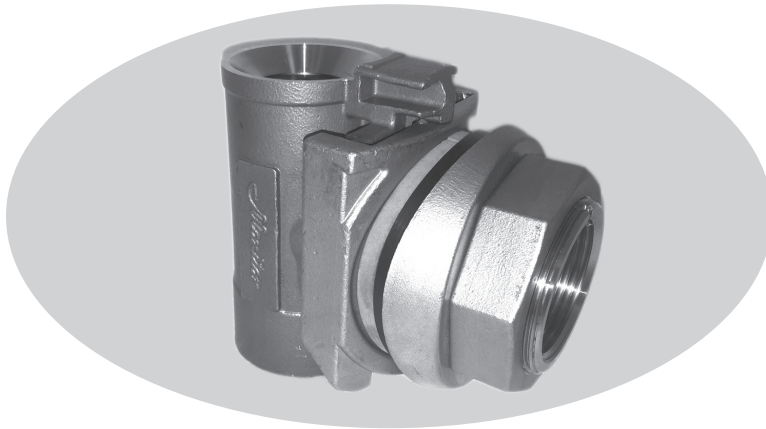
* denote item is boxed

Note: The letter "C" in the order number indicates the item is tapped for At-The-Well control kits.

Maximum PSI 250 pounds.



STAINLESS STEEL SLIDE TYPE PITLESS ADAPTER



STAINLESS STEEL SLIDE TYPE PITLESS ADAPTER - Designed for greater strength and constructed of precision machined high quality lead free stainless steel. This adapter provides for easier installation, convenient servicing, and improved sanitation.

*Conforms to Water Systems Council PAS-97(2017)

*Conforms to NSF/ANSI 372

FEATURES

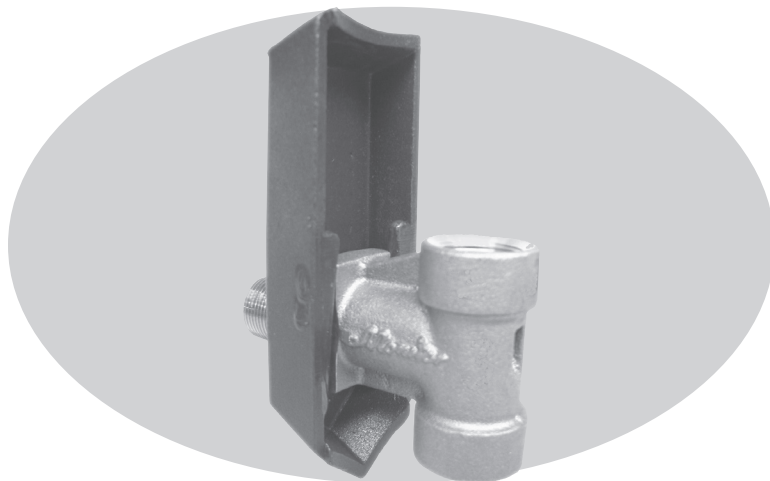
- Large chamfer on pull pipe port for ease of location
- Front support point is correct dimension for installation assistance
- Large jam nut
- Front indicator notch for installation assistance
- Recessed threads on jam nut for easier installation
- Assembles and seals 5 inch to 7 inch casing
- Tapered "V" for easy location during pump set
- Drain hole located on back of drop fitting so water/chlorine does not corrode pull pipe threads
- Large internal long sweep for reduced friction loss
- Tapered leading edge on casing fitting
- Button chamfer for ease of pump removal
- Pressurized models contain a small port in the nipple allowing the sealed area between gaskets to fill with water under system pressure, this design prevents the entry of contamination as required by the state of Illinois

STAINLESS STEEL SLIDE TYPE PITLESS ADAPTER

ORDER NO.	DROP PIPE AND DISCHARGE PIPE I.D.	PULL PIPE PORT I.D.	HOLDING WEIGHT	ACCESSORY TAPPING	FITS CASING SIZES I.D.	PRESSURIZED	WEIGHT	LEAD FREE
125BTSS	1¼"	1"	3,000 lb	NO	5" - 8"	NO	4.8 lb	YES
125BPTSS	1¼"	1"	3,000 lb	NO	5" - 8"	YES	4.8 lb	YES



E-Z WELD-ON PITLESS ADAPTER



E-Z WELD-ON PITLESS ADAPTER - For 4" I.D., 5" I.D., 6" I.D., and 7" O.D. wells.

*Conforms to Water Systems Council PAS-97(2017)

*Conforms to NSF/ANSI 372

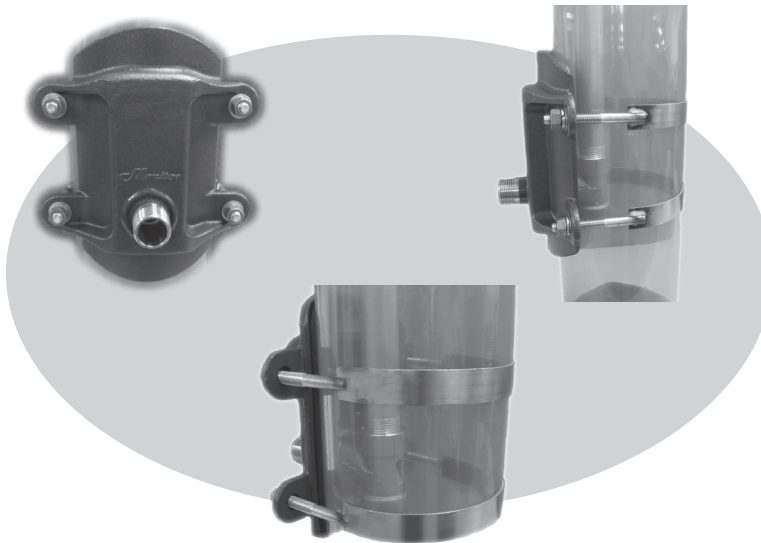
FEATURES

- NPT male nipple fabricated from 304 stainless steel
- 304 stainless steel locating support pins
- Steel housing contains a taper located along the bottom of the adapter to allow for easy bottom side welding
- Positive stop feature on the interior housing assures for proper O-ring seal
- NPT female drop fitting fabricated from high quality lead free red brass
- Chamfered 1" pull pipe port
- Large drainage hole located on the backside of the drop fitting to prevent chlorine build up
- Drop fitting contains a long sweep 90° turn
- Pump is more centrally located within the well
- Large neoprene O-ring
- Factory pressure test to 85 psi

E-Z WELD-ON PITLESS ADAPTER

ORDER NO.	WELL SIZE	DROP PIPE SIZE	DISCHARGE PIPE SIZE	MAXIMUM SAFE LOAD RATING	WEIGHT	LEAD FREE
6123BEZLF	4" I.D., 5" I.D., 6" I.D., 7" O.D.	1" female NPT	1" male NPT	1,600 lb	6.0 lb	YES
6125BEZLF	4" I.D., 5" I.D., 6" I.D., 7" O.D.	1¼" female NPT	1¼" male NPT	3,000 lb	7.4 lb	YES

E-Z CLAMP-ON PITLESS ADAPTER



E-Z CLAMP-ON ADAPTER - For 5" and 6" I.D. wells.
 *Conforms to Water Systems Council PAS-97(2017)
 *Conforms to NSF/ANSI 372

FEATURES

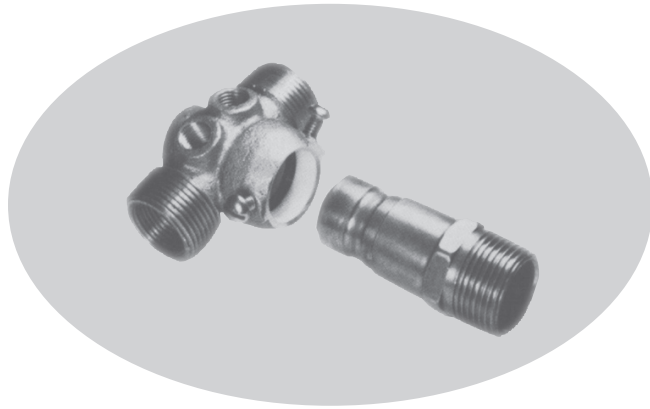
- 1" NPT male nipple fabricated from 304 stainless steel
- 304 stainless steel locating support pins
- Positive stop feature on the interior housing assures for proper O-ring seal
- 1" NPT female drop fitting fabricated from high quality lead free red brass
- 1600 lb maximum safe load rating
- Chamfered 1" pull pipe port
- Large drainage hole located on the backside of the drop fitting to prevent chlorine build up
- Drop fitting contains a long sweep 90° turn
- Pump is more centrally located within the well
- Large neoprene O-ring
- Factory pressure test to 85 psi

E-Z CLAMP-ON PITLESS ADAPTER

ORDER NO.	WELL SIZE	DROP PIPE SIZE	DISCHARGE PIPE SIZE	WEIGHT	LEAD FREE
61CBEZLF	6" I.D.	1" female NPT	1" male NPT	12.1 lb	YES
51CBEZLF	5" I.D.	1" female NPT	1" male NPT	11.2 lb	YES



BREAK-A-WAY TANK TEE

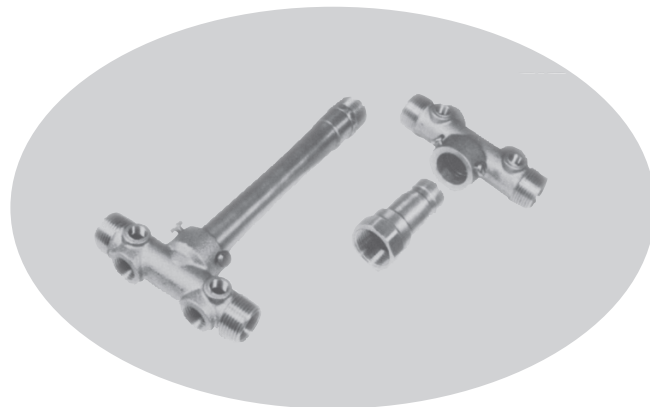


1" BREAK-A-WAY TANK TEE WITH ONE ½" PORT AND TWO ¼" PORTS - Specifications as follows:

- Valve composition high quality lead free red brass casting
 - Type L copper tube
 - Stainless steel lock screws
 - Standard O-ring
 - Precision machining
 - ¾" NPT female and 1" NPT male threads on each side
 - 1" NPT thread to tank
 - ½" NPT female threads for the drain and relief valve
 - ¼" NPT female threads for gauge and switch
- *Conforms to NSF/ANSI 372

1" BREAK-A-WAY TANK TEE WITH ONE ½" PORT AND TWO ¼" PORTS

ORDER NO.	LENGTH CL TO END	OVERALL LENGTH	QTY/ CARTON	WEIGHT/ CARTON	LEAD FREE
1BAT80FLF - FEMALE	3.31"	4.06"	10	12 lb	YES
1BAT80MLF - MALE	3.50"	4.25"	10	11 lb	YES
1BAT210MLF - MALE	8.13"	8.88"	8	12 lb	YES
1BAT260MLF - MALE	10.15"	10.90"	10	16 lb	YES
1BAT311MLF - MALE	12.21"	12.96"	8	14 lb	YES
1BAT00LF - STUB	2.32"	3.08"	12	10 lb	YES



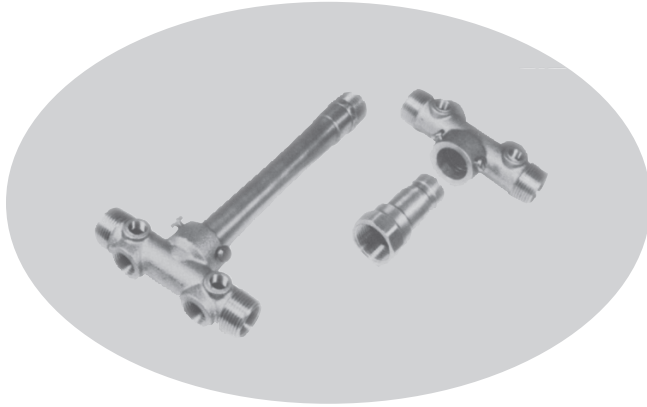
1" BREAK-A-WAY TANK TEE WITH TWO ½" PORT AND TWO ¼" PORTS - Specifications as follows:

- Valve composition high quality lead free red brass casting
 - Type L copper tube
 - Stainless steel lock screws
 - Standard O-ring
 - Precision machining
 - ¾" NPT female and 1" NPT male threads on each side
 - 1" NPT thread to tank
 - Two ½" NPT female threads for the drain and relief valve
 - Two ¼" NPT female threads for gauge and switch
- *Conforms to NSF/ANSI 372

1" BREAK-A-WAY TANK TEE WITH ONE ½" PORT AND TWO ¼" PORTS

ORDER NO.	LENGTH CL TO END	OVERALL LENGTH	QTY/ CARTON	WEIGHT/ CARTON	LEAD FREE
1BAT82FLF - FEMALE	3.45"	4.20"	12	18 lb	YES
1BAT82MLF - MALE	3.64"	4.39"	12	18 lb	YES
1BAT262MLF - MALE	10.29"	11.04"	12	22 lb	YES
1BAT312MLF - MALE	12.35"	13.10"	10	20 lb	YES
1BAT02LF - STUB	2.47"	3.22"	12	22 lb	YES

BREAK-A-WAY TANK TEE

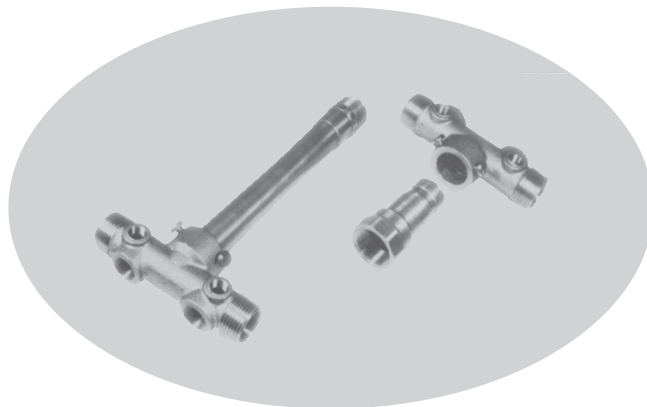


1 1/4" BREAK-A-WAY TANK TEE WITH TWO 3/4" PORT AND TWO 1/4" PORTS - Specifications as follows:

- Valve composition high quality lead free red brass casting
 - Type L copper tube
 - Stainless steel lock screws
 - Standard O-ring
 - Precision machining
 - 1" NPT female and 1 1/4" NPT male threads on each side
 - 1 1/4" NPT male or female thread to tank
 - Two 3/4" NPT female threads for the drain and relief valve
 - Two 1/4" NPT female threads for gauge and switch
- *Conforms to NSF/ANSI 372

1 1/4" BREAK-A-WAY TANK TEE WITH TWO 3/4" PORT AND TWO 1/4" PORTS

ORDER NO.	LENGTH CL TO END	OVERALL LENGTH	QTY/ CARTON	WEIGHT/ CARTON	LEAD FREE
12BAT82FLF - FEMALE	3.69"	4.69"	6	12 lb	YES
12BAT82MLF - MALE	3.56"	4.56"	6	12 lb	YES
12BAT260MLF - MALE	9.80"	10.80"	6	31 lb	YES
12BAT387MLF - MALE	15.80"	16.80"	6	40 lb	YES
12BAT334MLF - MALE	12.80"	13.80"	6	40 lb	YES



1 1/4" BREAK-A-WAY TANK TEE WITH TWO 1/2" PORT AND TWO 1/4" PORTS AND 1 1/4" FEMALE TO TANK - Specifications as follows:

- Valve composition high quality lead free red brass casting
- Type L copper tube
- Stainless steel lock screws
- Standard O-ring
- Precision machining
- 3/4" NPT female and 1" NPT male threads on each side
- 1 1/4" NPT thread to tank
- Two 1/2" NPT female threads for the drain and relief valve
- Two 1/4" NPT female threads for gauge and switch

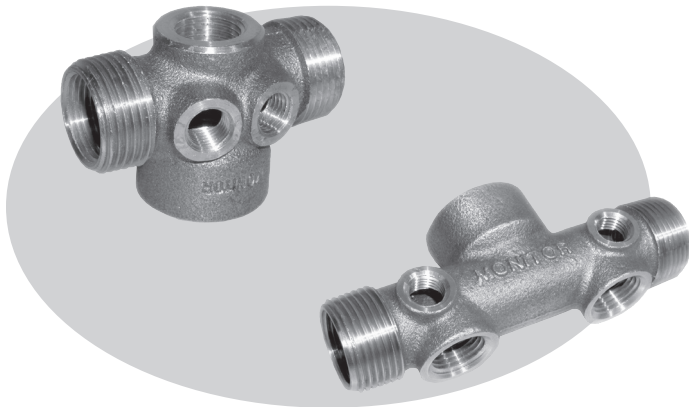
*Conforms to NSF/ANSI 372

1 1/4" BREAK-A-WAY TANK TEE WITH TWO 1/2" PORT AND TWO 1/4" PORTS AND 1 1/4" FEMALE TO TANK

ORDER NO.	LENGTH CL TO END	OVERALL LENGTH	QTY/ CARTON	WEIGHT/ CARTON	LEAD FREE
12BAT82FALF - FEMALE	3.69"	4.44"	12	12 lb	YES



PUMP CONTROL TANK TEE



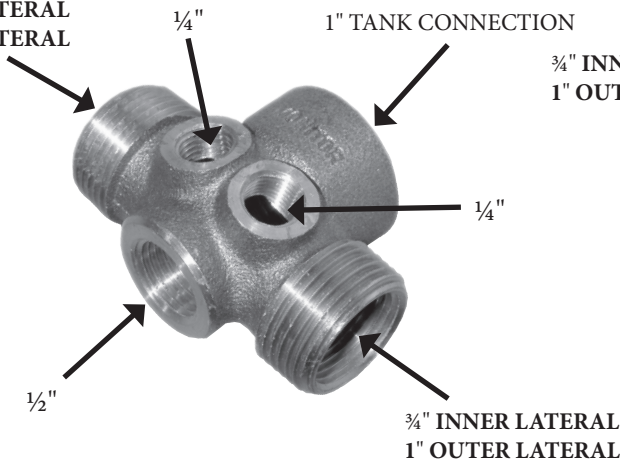
PUMP CONTROL TANK TEE - More versatile than conventional tank fittings and can be located anywhere in the piping. The pressure switch and gauge can be moved above the floor! The pump control tank tee is used like a tee with almost any type of tank, please use either a 3" or 10" long, 1" pipe nipple. This item costs less to install than most brass tank tees. The 1PCF is precision machined cast from high quality lead free red brass. The 1PCF2 is precision machined cast from high quality lead free red brass and will adapt to any 1" discharge tank.

*Conforms to NSF/ANSI 372

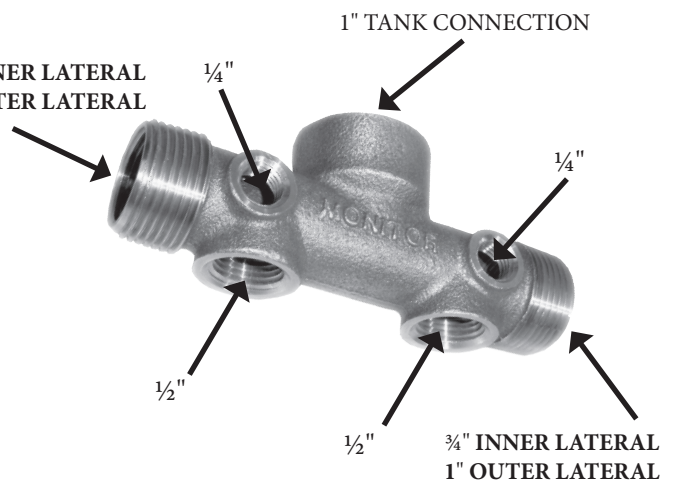
PUMP CONTROL TANK TEE

ORDER NO.	PIPE SIZE	CONTROL THREADS	TANK CONNECTION	QTY/ CARTON	WEIGHT/ CARTON	LEAD FREE
1PCFLF	¾" X 1"	¼"	1"	12	10 lb	YES
1PCF2LF	¾" X 1"	¼"	1"	12	10 lb	YES

¾" INNER LATERAL
1" OUTER LATERAL



¾" INNER LATERAL
1" OUTER LATERAL





DOMESTIC PITLESS UNIT FEATURES

SANITARY . . . No heated pump house or well pit is needed.

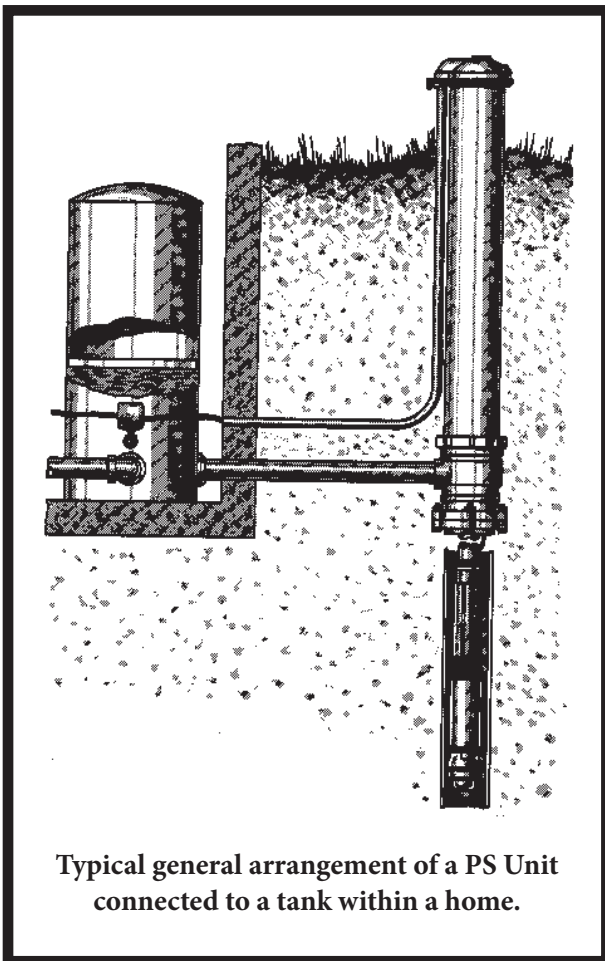
ECONOMICAL . . . Due to the wide range of Monitor Pitless Units you are able to choose the unit with the exact features you require and only pay for the features you need. Monitor offers the most comprehensive and complete line of features in the industry.

FROST PROOF . . . All passages are located below the frost line; no heating is required.

EASY TO SERVICE . . . Spool sealing permits withdrawal of the entire assembly within the casing simply by lifting out. Replacement is equally simple without a specific angular position required. Spool support eliminates vertical adjustment and any possibility of dropping the inner assembly into the well.

PITLESS CASE . . . Meets ASTM A53 standards.

RELIABLE SEAL . . . Neoprene O-rings between accurately machined hot dipped lead free galvanized surfaces on the spool and within the pitless unit provide positive seals to permit easy installation and withdrawal.



Typical general arrangement of a PS Unit
connected to a tank within a home.

O-RING SEAL PROTECTION . . . Monitor patented O-ring seal protection prevents seal damage during installation and service operations

CORROSION PROTECTION . . . All water passages below ground are either hot dipped lead free galvanized or constructed of corrosion resistant material.

SPOOLS . . . All spools have tapping for At-The-Well motor controls.

AT-THE-WELL CONTROL . . . PS Units are available for mounting both the pressure switch and the motor control box within the well. For detailed description and ordering information check the section on the At-The-Well Controls.

ALTERNATIVE CONNECTIONS TO THE WELL CASING . . . Threaded and Kwikonect style connections for fast easy installations. For a detailed description and ordering information please see "Connection to the Well"

FLOWING WELLS . . . Pitless Units are available for flowing wells. For a detailed description and ordering information please see "PS Flowing Well Units".

CAPS . . . Ordered separately. For a detailed description and ordering information please see "Water Well Caps".

Conforms to Water Systems Council PAS-97(2017)

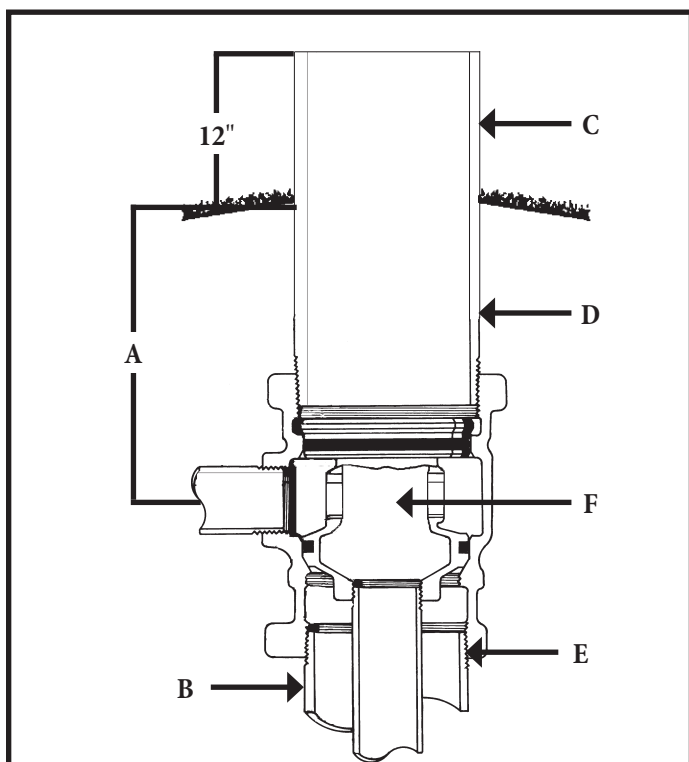




DOMESTIC PITLESS UNIT ORDERING INFORMATION



EXPLANATION OF DOMESTIC PITLESS UNIT ORDERING NUMBERS



The diagram illustrates the meaning of the various letters and numerals used in Monitor Domestic Pitless Unit ordering numbers. A typical order number and the pitless unit it stands for are shown.

Typical Order Number

3PS45BNS4C0XF

A. The first numeral in the order number indicates the bury depth measured in feet. Bury depth on all units is measured from the center of the discharge line to ground level. The top of the pitless case extends 12" above ground level as is required by many codes.

PS These letters indicate the type of pump the Pitless Unit is designed for; in this example the unit shown is a submersible pump.

4 **B.** This numeral indicates the well casing size is a 4" I.D. well size.

5 **C.** This numeral indicates the upper Pitless Unit case size is a 5" I.D. well size.

B **D.** This letter indicates the upper Pitless Unit case is black pipe.

N **E.** Indicates the well attachment to the casing; left blank the unit will be threaded, "N" indicates the unit will contain a Kwikonect connection.

S4 **F.** Indicates a spool without check valves.

C0 Indicates the unit is less cap.

X Indicates a 2" drop pipe tapping on a 4 X 5 Kwikonect unit which normally has a 1½" drop pipe tapping.

F Indicates flowing well.
NOTE: Spool cable seals must be ordered separately.

A Indicates unit comes with an air test block.

DESCRIPTION-ORDERING NUMBERS

A		Bury depth (ft)
	PS	Pitless Unit for submersible pump
B		Well size (in)
C		Upper casing (in)
D	B	Black upper casing
E		Well attachment
		BLANK - Threaded
		N - Kwikonect
F	S4	Spool without check valves
	C0	Less cap
OPTIONS		(X) Drop pipe tapping - 2" on 4 X 5 Kwikonect only
		(F) Flowing well unit
		(A) Air test block



PS DOMESTIC PITLESS UNIT THREADED STYLE

ORDER NO.	WELL SIZE I.D.	DROP PIPE TAPPING	LIFT OUT PIPE SIZE	DISCHARGE TAPPING	MAXIMUM PUMP CABLE SIZE	AW CONTROL TAPPING SIZE	WEIGHT
0PS45S4C0	4" order 5" well cap	2"	1¼"	2"	⅝"	⅜"	37
3PS45BS4C0							94
4PS45BS4C0							109
5PS45BS4C0							124
6PS45BS4C0							139
7PS45BS4C0							154
8PS45BS4C0							169
0PS56S4C0							5" order 6" well cap
3PS56BS4C0	117						
4PS56BS4C0	136						
5PS56BS4C0	155						
6PS56BS4C0	174						
7PS56BS4C0	193						
8PS56BS4C0	212						
0PS67S4C0	6" order 7" well cap	2"	1¼"	2"	¾"	⅜"	
3PS67BS4C0							149
4PS67BS4C0							173
5PS67BS4C0							197
6PS67BS4C0							221
7PS67BS4C0							245
8PS67BS4C0							269



Made in the USA





PS DOMESTIC PITLESS UNIT KWIKONECT STYLE

ORDER NO.	WELL SIZE I.D.	DROP PIPE TAPPING	LIFT OUT PIPE SIZE	DISCHARGE TAPPING	MAXIMUM PUMP CABLE SIZE	AW CONTROL TAPPING SIZE	WEIGHT
0PS45NS4C0	4" order 5" well cap	1½" *	1¼"	2"	⅝"	⅜"	37
3PS45BNS4C0							101
4PS45BNS4C0							116
5PS45BNS4C0							131
6PS45BNS4C0							146
7PS45BNS4C0							161
8PS45BNS4C0							176
0PS56NS4C0	5" order 6" well cap	2"	1¼"	2"	1⅛"	⅜"	57
3PS56BNS4C0							129
4PS56BNS4C0							148
5PS56BNS4C0							167
6PS56BNS4C0							186
7PS56BNS4C0							205
8PS56BNS4C0							224
0PS67NS4C0	6" order 7" well cap	2"	1¼"	2"	¾"	⅜"	70
3PS67BNS4C0							159
4PS67BNS4C0							183
5PS67BNS4C0							207
6PS67BNS4C0							231
7PS67BNS4C0							255
8PS67BNS4C0							279

* If a 2 inch tapping is required please add "X" to the end of the part number, for example 5PS45BNS4C0X.

CAUTION: Adding a 2 inch tapping will reduce the area for the pump wire to pass between the spool discharge body.





**PRESSURIZED PITLESS UNIT
KWIKONECT STYLE
ILLINOIS CODE APPROVED**

ORDER NO.	WELL SIZE I.D.	DROP PIPE TAPPING	LIFT OUT PIPE SIZE	DISCHARGE TAPPING	MAXIMUM PUMP CABLE SIZE	AW CONTROL TAPPING SIZE	WEIGHT
2PS45PBWE0C0	4" order 5" well cap	1½" *	1¼"	2"	⅝"	⅜"	85
3PS45PBWE0C0							100
4PS45PBWE0C0							115
5PS45PBWE0C0							130
6PS45PBWE0C0							145
2PS56PBWE0C0	5" order 6" well cap	2"	1¼"	2"	1⅛"	⅜"	106
3PS56PBWE0C0							129
4PS56PBWE0C0							148
5PS56PBWE0C0							167
6PS56PBWE0C0							186
2PS67PBWE0C0	6" order 7" well cap	2"	1¼"	2"	¾"	⅜"	70
3PS67PBWE0C0							159
4PS67PBWE0C0							183
5PS67PBWE0C0							207
6PS67PBWE0C0							231

Typical Order Number 3PS45BNS4C0XF	
3	Bury depth
PS	Pitless Units for submersible pumps
4	Well size I.D.
5	Upper case I.D.
P	Kwikonect pressurized well attachment
B	Black upper casing
W	For internal use of Baker Mfg. Co., LLC.
E	Pressure equalizing spool
0	Indicates a spool without check valves.
C0	No cap



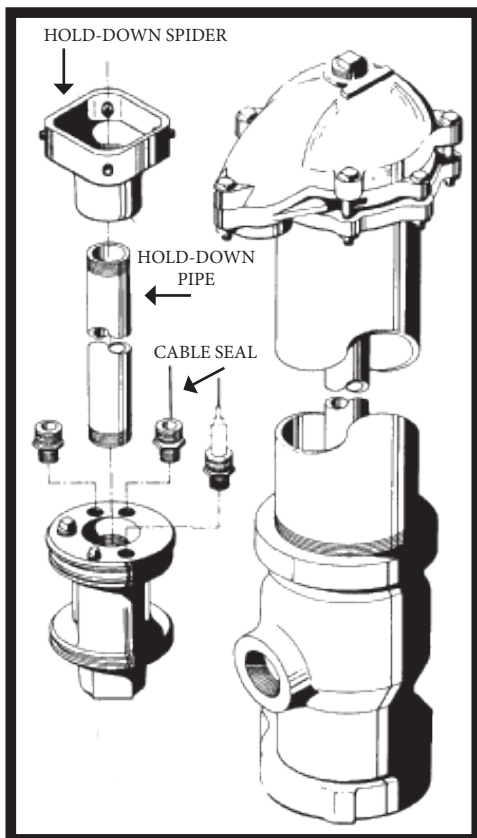


PITLESS UNIT FOR FLOWING WELL

Available for 4", 5", 6" well sizes. Submersible model Pitless Units are available with a special spool for sealing wells where the well water rises above frost level. A hold-down spider with set screws, attaches to the lift-out pipe to hold the spool in position in the discharge body preventing the spool rising from hydraulic pressure. The special spool is tapped to contain four water tight cable seals - one seal per wire.

If a flowing well is required please add "F" to the end of the part number, for example 4PS45BS4C0F.

NOTE: Spool cable seals must be ordered separately.



STANDARD SPOOL WITH O-RING

ORDER NO.	UPPER CASE SIZE	WEIGHT
4S4PS	4"***	7 lb
5S4PS	5"	13 lb
5S4PSN*	5"***	13 lb
6S4PS	6"	17 lb
7S4PS	7"	21 lb

* For Kwikonect

** 1 1/4" lift-out pipe and 1 1/2" drop pipe

NOTE: Maximum lift-out pipe load rating of 4,700 lb with Sch. 40, 1 1/4" pipe.

SPOOL CABLE SEALS

ORDER NO.	CABLE RANGE	CABLE SIZE	NPT	CABLE MATERIAL
CG384	0.160 - 0.310	#12, #10, #8, #6	3/8"	Round
CG382	0.080 - 0.240	#14, #12, #10, #8, #6	3/8"	Round

FLOWING WELL SPOOL WITH O-RING

ORDER NO.	WELL SIZE	DROP PIPE TAPPING	QUANTITY SEALS REQUIRED	WEIGHT
5S4PSF	4"	1 1/2"	3	13 lb
6S4PSF	5"	2"	4	18 lb
7S4PSF	6"	2"	4	22 lb

HOLD-DOWN SPIDER

ORDER NO.	UPPER CASE SIZE	WEIGHT
10UE	5"	3 lb
10UE	6"	4 lb
160UC	7"	5 lb

HOLD-DOWN SPIDER RATING FOR FLOWING WELLS

PITLESS UNIT	RATED FLOWING	SET SCREW TORQUE
PS45	75 psi	290 psi
PS56	75 psi	290 psi
PS67	56 psi	290 psi



STANDARD SPOOL

CONNECTIONS TO THE WELL

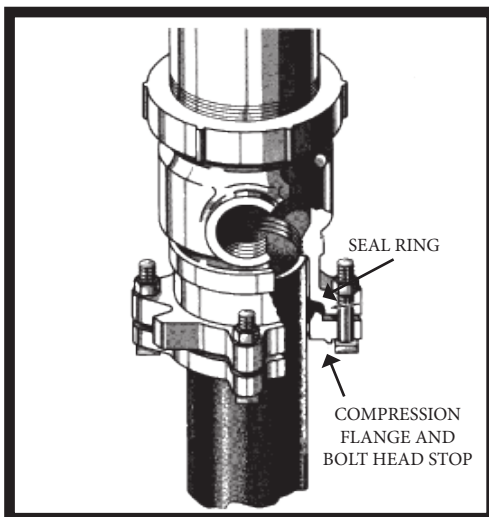
Monitor PS Pitless Units are produced to adapt to two types of connections at the well - Kwikonect and threaded.

Kwikonect PS Pitless Units, for the first time, provide installers with a convenient, economical sanitary and permanent method of attachment to a well casing which can be completed in minutes. Until now, many methods of attachment have been used, some economical, some sanitary, but none were satisfactory from every aspect. The Monitor Kwikonect PS Pitless Unit used a built-in compression seal fitting to attach onto the top of the well casing. This type of seal has been used for permanent, watertight joints in piping over 50 years. The convenient, economical Kwikonect PS Pitless Unit is the result of careful attention to design details and extensive testing.

FAST . . . Loosen bolts, slip unit onto well casing and tighten bolts, no disassembly required.

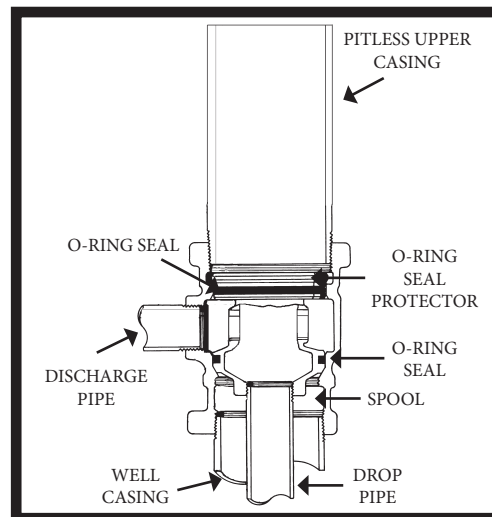
CONVENIENT . . . No special tools needed to install, all bolts tighten with a single wrench from the top where you can see them. There is no possibility of a broken bolt in a tapped hole.

**PS PITLESS UNIT KWIKONECT
WELL CONNECTION**



Kwikonect well connections are connected by slipping the unit onto the top of the well casing and tightening the bolts.

**PS PITLESS UNIT THREADED
WELL CONNECTION**



Threaded well connections require the top of the well casing to have a male thread of the proper size. This can be done by threading the well casing or by using one of the methods shown below.



SWAGGED
NIPPLE



PS PITLESS
CONNECTOR

WELDING NIPPLE - Male threaded on one end and chamfered on the other. For welding to the top of the casing.

PITLESS CONNECTOR - Female threaded on top and is slipped on top of the well casing and held in place by a neoprene seal ring which clamps against the casing.



WELDING
NIPPLE

SWAGGED NIPPLE - Male threaded on both ends and screws into coupling on top of the well casing to increase casing size.



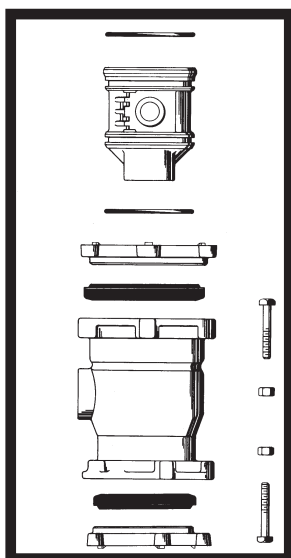
DQ PITLESS UNIT KIT

Monitor DQ Pitless Unit Kit offers all the features of a full PS Pitless Unit, but is shipped without the upper casing. A Kwikonect connection is provided on the top and bottom of the discharge body for easy installation. DQ Series Pitless Unit kits consist of the double Kwikonect discharge body and spool with O-rings, cap must be ordered separately.

Customer provides upper casing, steel, or SDR26 PVC. I.D. of PVC pipe may vary, always make sure spool with O-ring will pass through pipe before cutting upper casing.



Made in the USA



Typical PS Pitless Unit installation utilizing the Monitor DQ Series Pitless Kit

DQ PITLESS UNIT KIT

ORDER NO.	WELL SIZE I.D.	UPPER CASING SIZE	WEIGHT
DQ400	ORDER 5" CAP	4" 5 ¹ / ₁₆ " O.D.	44 lb
DQ500	ORDER 6" CAP	5" 6 ⁵ / ₈ " O.D.	57 lb

NOTE: 4" kits are tapped for a 2" discharge pipe and a 1½" drop pipe, if a 2" drop pipe tap is desired please add "X" to the end of the part number, for example DQ400X.

NOTE: 5" kits are tapped for a 2" discharge pipe and drop pipe.

DETERMINING THE LENGTH OF THE UPPER CASING

Please use this chart to determine the length of the upper casing. The chart allows for bury depth below grade and 1 foot of upper casing above grade.

BURY DEPTH	UPPER CASING LENGTH
2 ft	33¾"
3 ft	45¾"
4 ft	57¾"
5 ft	69¾"
6 ft	81¾"
7 ft	93¾"
8 ft	105¾"



PJ PITLESS UNIT FOR JET PUMP FEATURES

Monitor PJ Pitless Unit is designed for use on 2" and smaller driven wells; shallow well or single-pipe deep well. The PJ Pitless Unit forms a watertight extension of the well casing drive pipe from below the frost line (where it is buried permanently) to above ground.

EASY TO INSTALL . . . No construction. A quality pump installation can be made with one dealer call.

FROST PROOF . . . All passages are located below the frost line; no heating is required.

FULL WELL OPENING AND SPOOL SUPPORT . . . Reliable O-ring seals allow the inner assembly to be removed, leaving the well free of obstruction. The spool support eliminates vertical adjustment and any possibility of dropping the inner assembly into the well.

CORROSION PROTECTION . . . The spool and discharge body are hot dipped lead free galvanized inside and out to prevent corrosion. Together protecting all water passages within the unit. The upper case is a standard galvanized pipe.

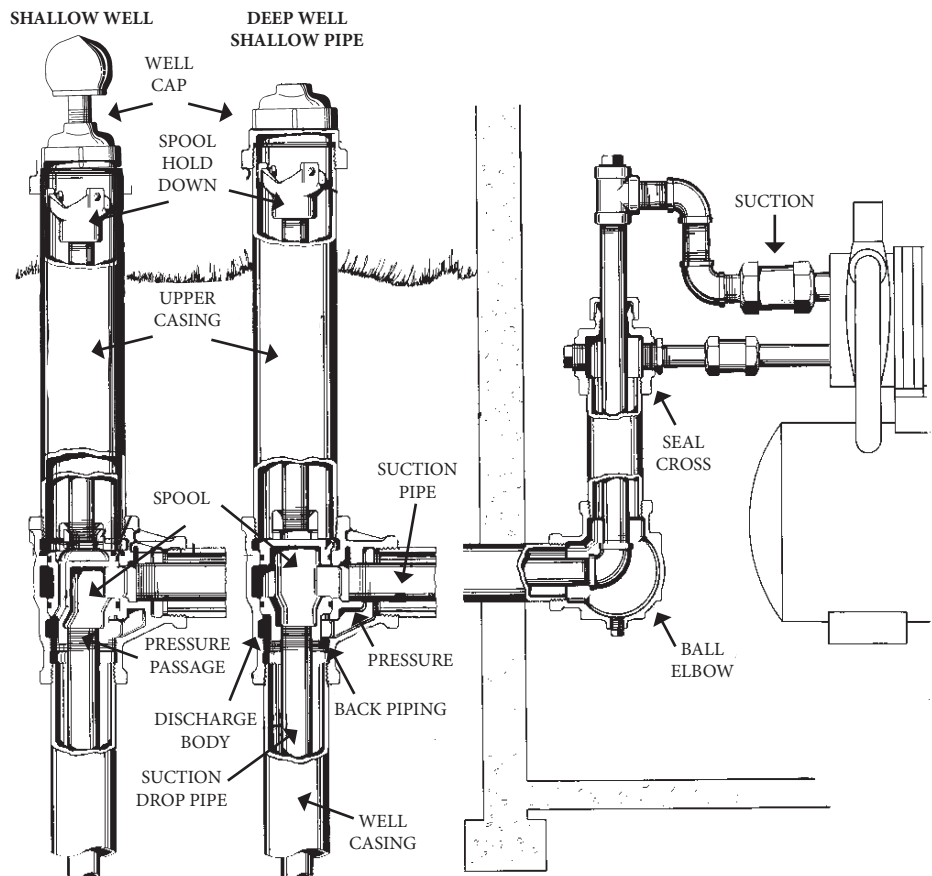
BACK TAPPING . . . When the inner well assembly is removed, a threaded casing the same diameter as the well casing and about the same length as the PJ Pitless Unit can be screwed into the back tapping to isolate the well from the upper casing. This isolation, during such well operations as jetting, sterilizing, and re-drilling, protects the spool sealing surfaces from mechanical damage and prevents the entry of mud and/or well chemicals into the upper casing and connecting passages and pipes.

SPOOL HOLD DOWN . . . Independent of the well cap and provides a convenient connection for lifting out or inserting the inner well assembly.

FLOWING WELL . . . Available to order, please add "F" to the end of the part number.

SHALLOW WELL . . . PJ Pitless Unit is tapped for a suction drop pipe and contains a vertical passage which equalizes the upper casing and well casing pressures. The discharge body is tapped for the suction and concentric pressure pipes which are respectively connected to the pump suction and pressure ports. There is not a passage extending from the pressure pipe to the well casing.

SINGLE-PIPE DEEP WELL . . . PJ Pitless Unit is tapped for the suction drop pipe. Due to the well casing being under system pressure there is not a pressure equalizing passage in the spool and a spool hold down is provided to prevent upward movement of the inner well assembly. The discharge body is tapped for the suction and concentric pressure pipes, which are respectively connected to the pump suction and pressure ports. A passage in the discharge body conducts water from the pressure pipe to the well casing.



Conforms to Water System Council PAS-97(2017)





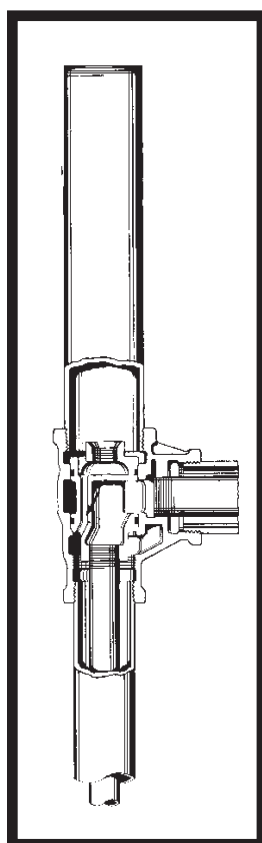
PJ PITLESS UNIT FOR CONCENTRIC PIPING (SHALLOW WELL) ORDERING INFORMATION

PJ PITLESS UNIT FOR CONCENTRIC PIPING (SHALLOW WELL) - spool is tapped for a suction drop pipe and contains a vertical passage which equalizes the upper case and well casing pressures. The discharge body is tapped for the suction and concentric pressure pipes which are respectively connected to the pump suction and pressure ports. There is not a passage extending from the pressure pipe to the well casing.



EXPLANATION OF DOMESTIC PITLESS UNIT ORDERING NUMBERS

The diagram illustrates the meaning of the various letters and numerals used in Monitor Domestic Pitless Unit ordering numbers. A typical order number and the pitless unit it stands for are shown.



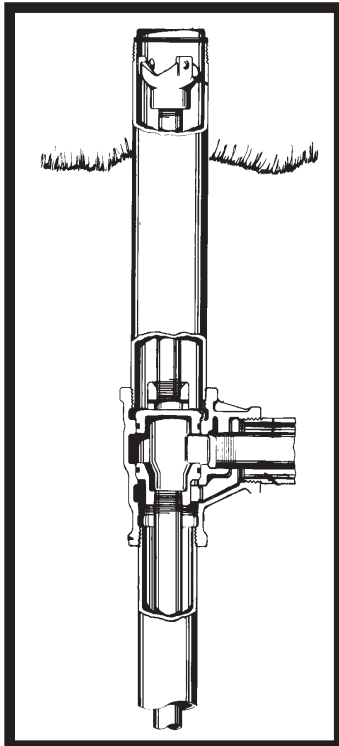
Typical Order Number 3PJ23CBWX11	
3	The first numeral in the order number indicates the bury depth measured in feet. Bury depth on all units is measured from the center of the discharge line to ground level. The top of the pitless case extends 12" above ground level as is required by many codes.
PJ	These letters indicate the type of pump the Pitless Unit is designed for; in this example the unit shown is a shallow well jet pump.
2	This numeral indicates the well casing size is a 2" I.D. well size.
3	This numeral indicates the upper Pitless Unit case size is a 3" I.D. well size.
C	Concentric discharge
B	Galvanized upper Pitless Unit case
W	Watertight cap
X	The letter "X" indicates a closed spool The letter "E" indicates an equal pressure passage
1	Indicates number of drop pipes
1	This numeral indicates the well casing size is a 1" I.D. suction tapping, used only on single pipe concentric and shallow pipe well units
12	Either 1" or 1 1/4"

ORDER NO.	GENERAL INFORMATION	WEIGHT
2PJ23CBWE112		46 lb
3PJ23CBWE112		54 lb
4PJ23CBWE112	2" I.D. WELL CASING 3" I.D. WELL CASING	61 lb
5PJ23CBWE112	2" PRESSURE PIPE	70 lb
6PJ23CBWE112	1 1/4" SUCTION PIPE	78 lb
7PJ23CBWE112	1 1/4" SUCTION DROP PIPE	86 lb
8PJ23CBWE112		94 lb



PJ PITLESS UNIT FOR CONCENTRIC PIPING (SINGLE PIPE DEEP WELL) ORDERING INFORMATION

PJ PITLESS UNIT FOR CONCENTRIC PIPING (SINGLE PIPE DEEP WELL) - spool is tapped for the suction drop pipe. Since the well casing is under system pressure there is not a pressure equalizing passage in the spool. A spool hold down is provided to prevent upward movement of the inner well assembly. The discharge body is tapped for the suction and concentric pressure pipes which are respectively connected to the pump suction and pressure ports. A passage in the discharge body conducts water from the pressure pipe to the well casing.



EXPLANATION OF DOMESTIC PITLESS UNIT ORDERING NUMBERS

The diagram illustrates the meaning of the various letters and numerals used in Monitor Domestic Pitless Unit ordering numbers. A typical order number and the pitless unit it stands for are shown.

Typical Order Number 3PJ23CBWX11	
3	The first numeral in the order number indicates the bury depth measured in feet. Bury depth on all units is measured from the center of the discharge line to ground level. The top of the pitless case extends 12" above ground level as is required by many codes.
PJ	These letters indicate the type of pump the Pitless Unit is designed for; in this example the unit shown is a shallow well jet pump.
2	This numeral indicates the well casing size is a 2" I.D. well size.
3	This numeral indicates the upper Pitless Unit case size is a 3" I.D. well size.
C	Concentric discharge
B	Galvanized upper Pitless Unit case
W	Watertight cap
X	The letter "X" indicates a closed spool The letter "E" indicates an equal pressure passage
1	Indicates number of drop pipes
1	This numeral indicates the well casing size is a 1" I.D. suction tapping, used only on single pipe concentric and shallow pipe well units
12	Either 1" or 1 1/4"

ORDER NO.	GENERAL INFORMATION	WEIGHT
2PJ23CBWE11	2" I.D. WELL CASING 3" I.D. WELL CASING 2" PRESSURE PIPE 1" SUCTION PIPE 1 1/4" SUCTION DROP PIPE	47 lb
3PJ23CBWE11		55 lb
4PJ23CBWE11		63 lb
5PJ23CBWE11		71 lb
6PJ23CBWE11		79 lb
7PJ23CBWE11		87 lb
8PJ23CBWE11		95 lb
2PJ23CBWE112		2" I.D. WELL CASING 3" I.D. WELL CASING 2" PRESSURE PIPE 1 1/4" SUCTION PIPE 1 1/4" SUCTION DROP PIPE
3PJ23CBWE112	55 lb	
4PJ23CBWE112	63 lb	
5PJ23CBWE112	71 lb	
6PJ23CBWE112	79 lb	
7PJ23CBWE112	87 lb	
8PJ23CBWE112	95 lb	



PIPE FITTINGS FOR CONCENTRIC PIPE INSTALLATION

MONITOR CONCENTRIC SEAL ROSS AND BALL ELBOW - are special pipe fittings or concentric pipe installations. The seal cross is used to terminate the concentric piping at a point near the pump. It also contains two tappings which eliminate from the piping at least one large T fitting. The ball elbow is used to raise the concentric pipe terminal to a specific elevation above the basement floor.



CONCENTRIC SEAL CROSS

ORDER NO.	PRESSURE PIPE	PRESSURE TAP	SUCTION PIPE SEAL	WEIGHT
211CSC	2"	1"	1"	4 lb
2112CSC	2"	1¼"	1¼"	5 lb



CONCENTRIC BALL ELBOW

ORDER NO.	PRESSURE PIPE	SUCTION PIPE MAX I.D.	SUCTION PIPE EXTRA LENGTH	WEIGHT
2117CBE	2"	1"	1¾"	6 lb
25122CBE	2½"	1¼"	2"	10 lb



O-RING SELECTION GUIDE

PART NO.	PITLESS UNIT MODEL WELL SIZE X UPPER CASING SIZE	I.D.	THICKNESS
NA115	2" X 3"	2.350" ± 0.180"	0.210" ± 0.005"
NB15	3" X 4"	3.400" ± 0.150"	0.210" ± 0.005"
UB15	4" X 5"	4.100" ± 0.280"	0.210" ± 0.005"
UB15	4" X 8"	4.100" ± 0.280"	0.210" ± 0.005"
NC15	5" X 6"	5.100" ± 0.037"	0.275" ± 0.006"
NC15	5" X 8"	5.100" ± 0.037"	0.275" ± 0.006"
UC15	5.6" X 7"	5.975" ± 0.037"	0.275" ± 0.006"
UC15	6" X 7"	5.975" ± 0.037"	0.275" ± 0.006"
UC15	6.6" X 7"	5.975" ± 0.037"	0.275" ± 0.006"
UH15	6" X 8"	6.975" ± 0.040"	0.275" ± 0.006"
UH15	7" X 8"	6.975" ± 0.040"	0.275" ± 0.006"
UG15	8" X 10"	8.475" ± 0.055"	0.275" ± 0.006"
UJ15	10" X 12"	10.550" ± 0.030"	0.375" ± 0.010"
UK15	12" X 14"	11.540" ± 0.030"	0.375" ± 0.010"
UL15	14" X 16"	13.110" ± 0.030"	0.500" ± 0.020"
UM15	14" X 18"	14.900" ± 0.030"	0.625" ± 0.022"
UM15	16" X 18"	14.900" ± 0.030"	0.625" ± 0.022"
UN15	18" X 20"	16.840" ± 0.030"	0.625" ± 0.022"
UQ15A	20" X 22"	18.550" ± 0.030"	0.625" ± 0.022"
UR15A	24" X 26"	22.430" ± 0.030"	0.625" ± 0.022"
US15A	26" X 28"	24.600" ± 0.030"	0.625" ± 0.022"
UU15	36" X 38"	33.915 ± 0.030	0.625" ± 0.022"



HAND PUMP SYSTEM SELECTION GUIDE

SELECTING THE HAND PUMP

MODEL 11HA

This is the most basic hand pump. Not to be used if cylinder is to be set more than 25 feet. NOTE: The 11HA does not have a sealed packing in the top of the pump and is therefore more suitable for watering flowers and livestock than for drinking water.

MODEL 11HD

The most popular hand pump in America. With its' sealed packing, it's the ideal pump for drinking water.

MODEL 12HD

Same as the 11HD except with a bibb spout. This means that the spout can be shut off in the event that you want to pump water out of the back of the pump only. In other words, you can "force" water to a tank, pond, reservoir, etc., by piping out of the back of the pump.

MODEL 146HD

An adapter that can be quickly attached to the spout of the 11HD or 12HD force pump and allows you to attach a garden hose.

SELECTING THE PUMP FLANGE

The pump flange attaches to the well. The hand pump attaches to the pump flange. You must provide the nuts, bolts, and washers (available at your local hardware store) to connect the pump to the pump flange.

Measure the inside diameter of your well casing and then select the appropriate pump flange (4 inch, 5 inch, or 6 inch only).

The standard pump flange will suffice in most cases. If you are especially concerned about contamination, order the sealed flange.

Although the pump flange is not required to complete a functional hand pump system, it is highly recommended to stabilize the hand pump and prevent any rocking motion.

SELECTING THE CYLINDER

This is the part of the system that goes down the well typically below the water table. It's barrel with a plunger inside. When you pump on the handle of the hand pump, it makes the cylinder plunger go up and down. This forces the water up the pipe and out of the hand pump.

To select the cylinder, please reference the "Table of Hand Pump Data", then see the column titled "Cylinder Size". This refers to the I.D. (inside diameter) of the cylinder. Cylinders are referred to by their I.D.

Now read across until you reach the column "Depth to Water" (this is not the total depth of your well) that comes closest to your installation. This tells you what I.D. cylinder you will need.

For shallow wells, 25 feet or less to the water table, you may install the cylinder above the water table and attach a section of 1 1/4 inch pipe from the bottom of the cylinder. This section must extend below the water table.

NOTE: The 11HD and 12HD hand pumps have adjustable stroke settings on the handle. You can set them for the stroke you want. The shorter the stroke, the easier it is to pump.

CAUTION: Be sure the O.D. (outside diameter) of the cylinder does not exceed the I.D. of the well.

SELECTING THE PUMP ROD

The pump rod (often referred to as sucker rod) provides the mechanical connection between the hand pump and the plunger in the cylinder. This means when you pump the hand pump it makes the pump rod and the plunger go up and down, delivering the water out the spout of the hand pump.

The pump rod comes in 21 foot lengths, is threaded and coupled. Please order enough pump rod so that your cylinder is about 15 feet below water for deep well applications.

IMPORTANT: Always order one additional rod coupling besides what's on the pump rod. You will need this extra rod coupling

to make the final connection.

NOTE: You will also need 1 1/4 inch by 21 foot lengths of pipe. This is the water supply line between the cylinder and the hand pump. This can be purchased from your local hardware store or plumber. Please buy the same amount of pipe as you do pump rod. The pump rod is installed inside the pipe.

This is everything you need for your hand pump system. Assembly and installation instructions will come with your order.

CAUTION: Be sure and sanitize your well in accordance with your state codes and have your water tested before drinking the water.

BE CAREFUL: This is heavy equipment with sharp edges and pinch points.

NOTE: A 1/8 inch weep hole should be drilled in the drop pipe just below our frost line to prevent freezing.



Made in the USA

HAND PUMP

LIFT PUMP STAND - for hand pump use. The Monitor® 11HA is recommended for shallow wells less than 25 feet. Contains a 6" stroke only and a multi-position cap. The 11HA pump does not have a sealed packing in the top of the pump and is therefore more suitable for watering flowers and livestock than for drinking water.

FORCE PUMP STAND - for windmill, pump jack, or hand pump use. These Force pumps have a built-in surge chamber, piston rod and packing nut, adjustable strokes and multi-position cap. Order Monitor's 11HD for siphon spout or 12HD for bibb spout models. Force Pumps are available with factory installed sanitary shroud. Can be used to depths of 200 feet.



MONITOR LIFT HAND PUMP STANDS

ORDER NO.	DESCRIPTION	WEIGHT
11HA	Hand lift pump stand	65 lb
100HA	7' Drop pipe and rod assembly, only	22 lb
HA20	3/16" Plated pump rod 7' long, threaded at both ends	4 lb

MONITOR FORCE PUMP STANDS

ORDER NO.	DESCRIPTION	WEIGHT
11HD	Force or drinking fountain pump stand with syphon spout	80 lb
12HD	Force pump stand with bibb spout	80 lb
11HDA	2" Force pump stand with syphon spout	80 lb
12HDA	2" Force pump stand with bibb spout	80 lb
11HDS	Force pump stand with syphon spout and shroud	110 lb
12HDS	Force pump stand with bibb spout and shroud	110 lb
11HDSA	2" Force pump stand with syphon spout and shroud	110 lb

ACCESSORIES

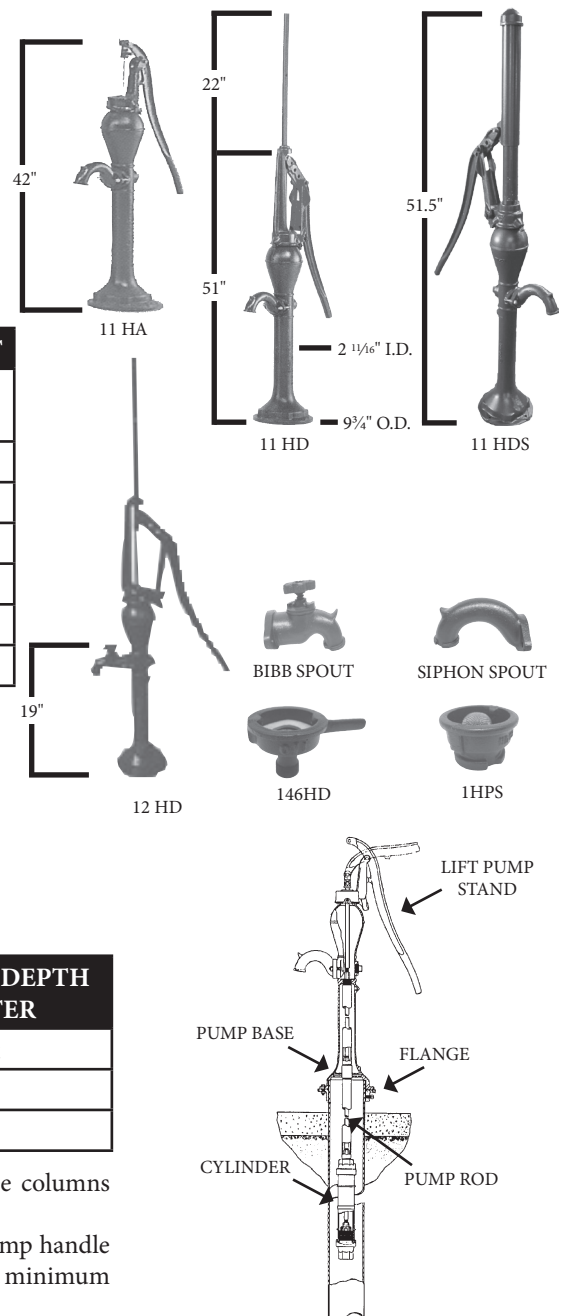
ORDER NO.	DESCRIPTION	WEIGHT
146HD	Hand pump spout to garden hose thread adapter	1 lb
1HPS	Hand pump screen adapter kit for spout	

TABLE OF HAND PUMP DATA

CYLINDER SIZE	5" STROKE DEPTH TO WATER	7½" STROKE DEPTH TO WATER	10" STROKE DEPTH TO WATER
2"	201 ft	140 ft	108 ft
2½"	141 ft	99 ft	76 ft
3"	104 ft	72 ft	56 ft

Depth to water that can be pumped by the average person and showing the three columns possible with 5", 7½", and 10" pin positions on the pump handle.

NOTE: Above calculations are based on 50 pounds applied perpendicular to the pump handle and includes the hydraulic lift with 10% added for leather friction and weight of rod at minimum mechanical advantage which occurs at mid stroke.





DRINKING FOUNTAIN PUMP

Monitor Drinking Fountain Pump - is used on many golf courses, campgrounds, roadside parks, and picnic areas. A few strokes of the handle fills a reservoir with water which without further pumping becomes a noiseless smooth flowing Drinking Fountain. A spring loaded hand lift valve allows water from the reservoir to flow out a hydrant for filling a jug or bucket. The pump stand is more secure from contamination. All interior surfaces are inclined for complete drainage. All access holes are screened for vermin resistance. The drain pipe is anchored at ground level, into the pumps concrete foundation, to prevent abuse. Rugged cast iron construction assures years of dependable service. The Drinking Fountain Pump is available in two models.

1DFHCS PUMP STAND - For cased well applications, attaches to a flange mounted on top of a well casing A vermin resistant sealed flange is available for a 4", 5", or 6" well casing. Pump weighs 120 pounds.

1DFHFS PUMP STAND - For cased well applications, attaches directly to a 4", 5", or 6" well casing. The well casing extends 18" above grade (Ohio Pattern Base Pump). Pump flanges will not adapt to this style. Pump weighs 120 pounds.

158DP FOUNTAIN UNIT - This unit replaces the reservoir and bowl on either the 1HF or 1HC Drinking Fountain Pump. Pump weighs 45 pounds.

100DPS HAND PUMP SHROUD CONVERSION KIT - This sanitary unit replaces the pump cap and flat bar, on Monitor hand pumps; 11HD, 12HD, 1DFHF, 1DFHC, and 1DFHT. Recommended by many federal and state environmental agencies.

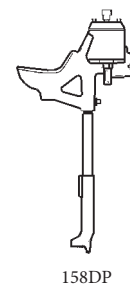
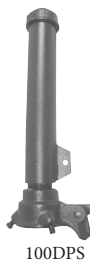
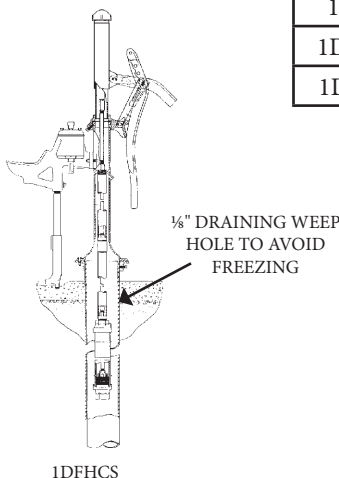
10DP RUBBER BUMPER BAG ASSEMBLY - Is a replacement part that is used to keep the pump handle from hitting on the pump base.

199DP FOUNTAIN SCREENING KIT - Contains a cover gasket, screen vent, nozzle screen, filter washer, and holder spring to make the Monitor drinking fountain pumps vermin resistant.



TABLE OF HAND AND DRINKING FOUNTAIN PUMP SPECIFICATIONS

ORDER NO.	TYPE	STROKE LENGTH		DROP PIPE TAPPING	SPOUT	ROD SIZE	ROD THREAD
		HAND	POWER				
11HD	Force	5", 7½", 10"	11"	1¼"	Syphon	7/16"	7/16-14NC
11HDA	Force	5", 7½", 10"	11"	2"	Syphon	7/16"	7/16-14NC
12HD	Force	5", 7½", 10"	11"	1¼"	Bibb	7/16"	7/16-14NC
12HDA	Force	5", 7½", 10"	11"	2"	Bibb	7/16"	7/16-14NC
11HA	Lift	6"	---	1¼"	Syphon	7/16"	Set screw
1DFHCS	Drinking Fountain	5", 7½", 10"	11"	1¼"	Fountain	7/16"	7/16-14NC
1DFHFS	Drinking Fountain	5", 7½", 10"	11"	1¼"	Fountain	7/16"	7/16-14NC
1DFHCSA	Drinking Fountain	5", 7½", 10"	11"	2"	Fountain	7/16"	7/16-14NC
1DFHFSA	Drinking Fountain	5", 7½", 10"	11"	2"	Fountain	7/16"	7/16-14NC



HAND PUMP DIVERTER

The **Monitor Hand Pump Diverter** can be used to refill your water storage tank with water by just pumping the handle on your hand pump. No need to worry whether you have electricity or not. By pumping the handle on the hand pump you can keep your water tank full and you will be able to use all of your normal facilities in your home. The Hand Pump Diverter can be used on any Monitor spool type pitless or pitless adapter that can accommodate a hole drilled in the top for the pump rod to go through.

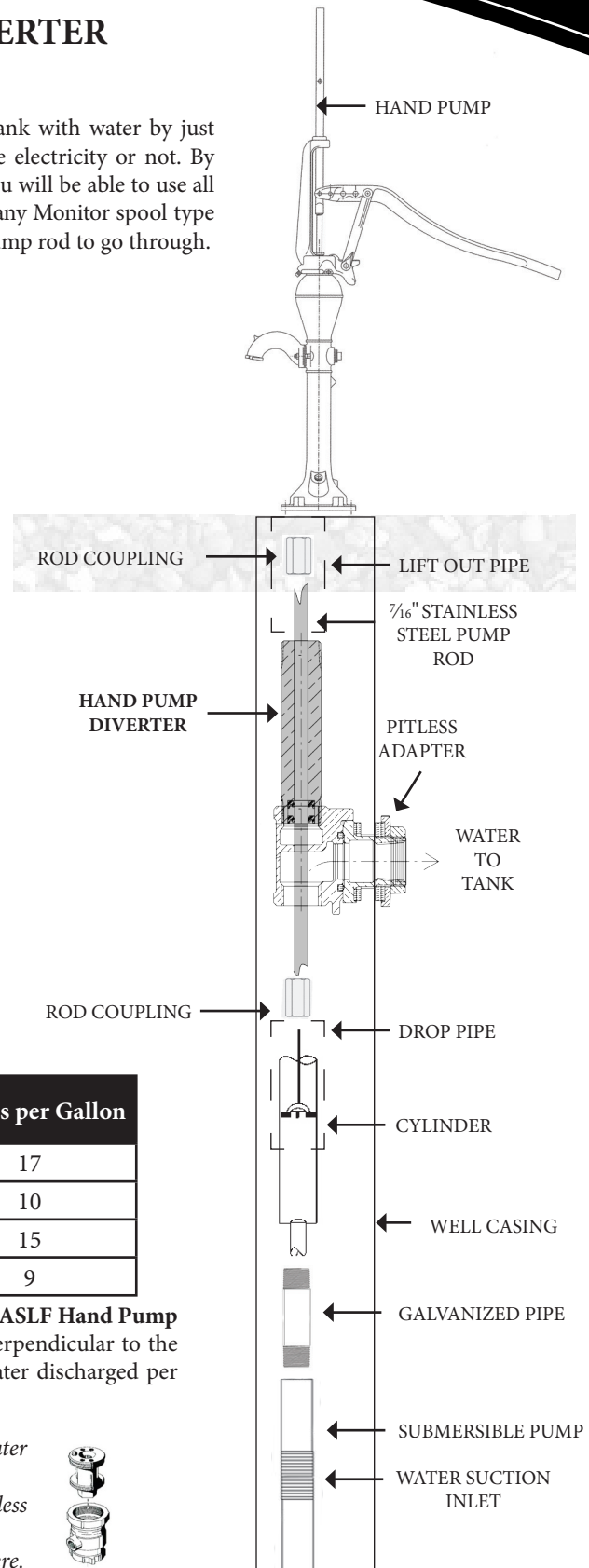
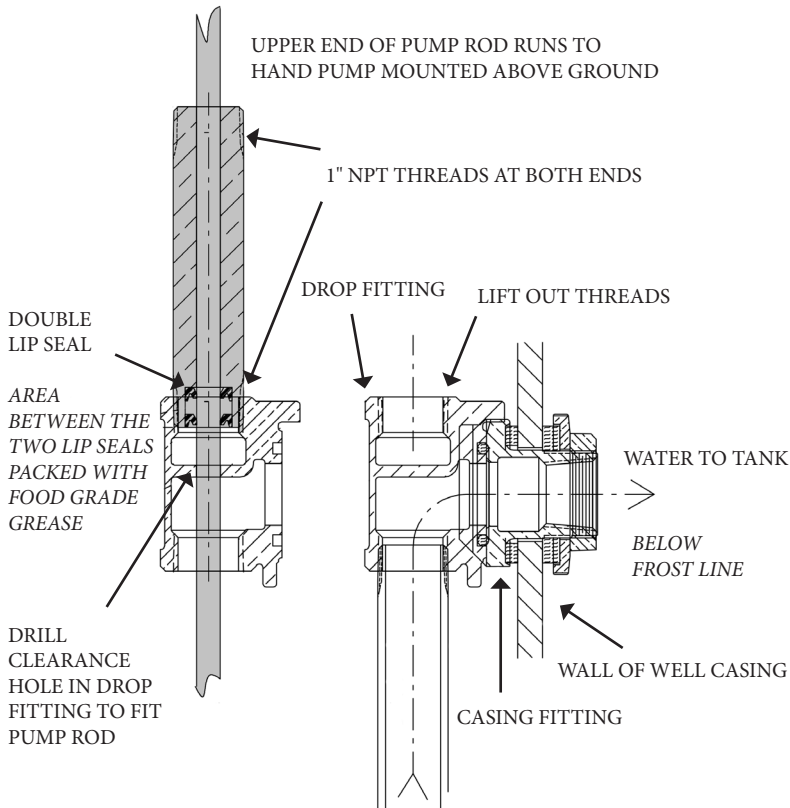


TABLE OF HAND PUMP AND CYLINDER DATA

Order No.	Cylinder Size	Hand Pump Stroke Setting	Depth to Water	Strokes per Gallon
100LASLF	1 7/8"	5"	124 ft	17
	1 7/8"	7 1/2"	41 ft	10
	2"	5"	103 ft	15
	2 1/2"	5"	42 ft	9

This chart is based on using a **Monitor 11HD or 12 HD** hand pump with a **100LASLF Hand Pump Diverter**. Depth to water that can be pumped is based on 50 pounds applied perpendicular to the pump handle, and 50 psi tank pressure. The chart also shows the amount of water discharged per stroke of pump for the specified cylinder diameter and stroke.

NOTE: Water will not come out of the spout. The Hand Pump Diverter diverts the water to a storage tank.

NOTE: Install diverter with a lip seal end, screwed into the top of the spool type pitless unit or pitless adapter.

NOTE: In place of the adapter, a spool type pitless can be used like the one shown here.





HAND PUMP CYLINDER

ALL BRASS CYLINDER WITH FLUSH CAP - Cylinder with brass check valve and two leather brass plunger, the overall length of each cylinder is 18 inches.

NOTE: All cylinders are threaded 1¼" NPT.

*Conforms to NSF/ANSI 372



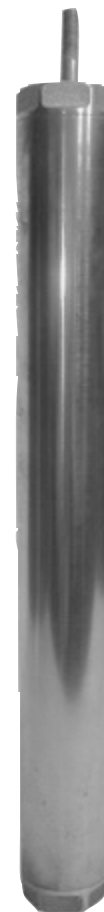
Made in the USA

AMOUNT OF WATER DISCHARGED PER STROKE OF PUMP

CYLINDER SIZE	5" STROKE GAL PER STROKE	7½" STROKE GAL PER STROKE	10" STROKE GAL PER STROKE
2"	0.0680	0.0952	0.1360
2½"	0.1062	0.1487	0.2125
3"	0.1530	0.2142	0.3060

ALL BRASS CYLINDER WITH FLUSH CAPS

ORDER NO.	STROKE	I.D.	O.D.	WEIGHT
00003	10"	2"	2½"	8.5 lb
00004	10"	2½"	3"	10 lb
00005	10"	3"	3½"	13 lb



HAND PUMP PUMP FLANGE AND PUMP ROD

STANDARD PUMP FLANGES - Attaches to the hand pump stand with a standard base to well casing. Standard pump flanges come in sizes 1" to 6".



Made in the USA

STANDARD PUMP FLANGES

ORDER NO.	I.D.	WEIGHT
10MP	1"	9 lb
11MP	1¼"	9 lb
13MP	2"	9 lb
14MP	2½"	9 lb
15MP	3"	9 lb
16MP	4"	11 lb
17MP	5"	11 lb
18MP	6"	11 lb



STANDARD FLANGE

SEALED FLANGES - Attaches to the hand pump stand with a standard base to well casing. Sealed pump flanges come in sizes 4", 5", or 6".

SEALED PUMP FLANGES

ORDER NO.	I.D.	WEIGHT
64MP	4"	12 lb
65MP	5"	13 lb
66MP	6"	13 lb



SEALED FLANGE

ZINC PLATED PUMP ROD

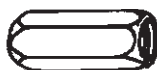
PUMP ROD	TYPE	FOOT PER BUNDLE	WEIGHT PER BUNDLE
7/16" x 18'	Plain end	198'	102 lb
7/16" x 21'		189'	97 lb
7/16" x 18'	Threaded and coupled 14 NC Thread	198'	102 lb
7/16" x 21'		189'	97 lb
HA20	7/16" x 84" long, plated, TBE	n/a	n/a



PUMP ROD

FEMALE ROD COUPLINGS

SIZE	WEIGHT
7/16" x 7/16"	0.09 lb
3/8" x 7/16"	0.11 lb



ROD COUPLING



MAGNUM FROST PROOF YARD HYDRANT



THE MAGNUM IS FOR:

- Home
- Lawn
- Garden Care
- Cleaning Equipment
- Watering Livestock
- Ranches
- Farms
- Fire Protection

MONITOR MAGNUM FROST PROOF HYDRANT - The unique spool valve design and simple construction of the Monitor® Magnum hydrant provides dependable operation and easy servicing in any weather. The "Balanced Valve" allows smooth easy flow adjustment since the water flow does not oppose valve movement as in other hydrants. Corrosion resistant brass valve body, acetal spool and 3/4" Sch. 80 PVC wet pipe contain the water flow, extending hydrant life. The elimination of a packing nut, valve rod and linkage adjustment eliminates many maintenance and repair kits required with ordinary hydrants. When properly installed occasional easy replacement of the three standard O-rings will be the only routine maintenance required.

All internal parts can be quickly removed without the use of pipe wrenches or digging. Please turn off the water supply, loosen the stainless steel hex screw in the collar and pull out the inside wet pipe. Replace the O-ring, then simply bottom out the head casting on the stand pipe. Rotate the head casting outlet (clockwise only) to home owner's preference and tighten the set screw.

Location of outlet is approximately 24" above ground in addition to bury depth.

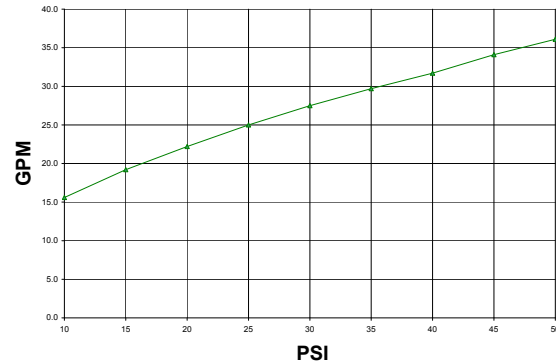
BURY DEPTH	MODEL NO.	WEIGHT	LEAD FREE *	BURY DEPTH	MODEL NO.	WEIGHT	LEAD FREE *
1 ft	1WHMB75	10 lb	NO	5 ft	5WHMB75	15 lb	NO
1 ft	1WHMB75LF	10 lb	YES	5 ft	5WHMB75LF	15 lb	YES
1.5 ft	1.5WHMB75	11 lb	NO	6 ft	6WHMB75	17 lb	NO
1.5 ft	1.5WHMB75LF	11 lb	YES	6 ft	6WHMB75LF	17 lb	YES
2 ft	2WHMB75	11 lb	NO	7 ft	7WHMB75	18 lb	NO
2 ft	2WHMB75LF	11 lb	YES	7 ft	7WHMB75LF	18 lb	YES
2.5 ft	2.5WHMB75	12 lb	NO	8 ft	8WHMB75	19 lb	NO
2.5 ft	2.5WHMB75LF	12 lb	YES	8 ft	8WHMB75LF	19 lb	YES
3 ft	3WHMB75	13 lb	NO	10 ft	10WHMB75	22 lb	NO
3 ft	3WHMB75LF	13 lb	YES	10 ft	10WHMB75LF	22 lb	YES
4 ft	4WHMB75	14 lb	NO	11 ft	11WHMB75	25 lb	NO
4 ft	4WHMB75LF	14 lb	YES	11 ft	11WHMB75LF	25 lb	YES

*Conforms to NSF/ANSI 372

Flow Capacity of Magnum Frost Proof Yard Hydrant

(4 ft Bury Depth, 1" I.D. Inlet & .750" I.D. Outlet)

Patent# 6,178,988 B1



- Open blade ductile iron handle on the top of the head casting is easy to open or close regardless of hand size, even with a glove on. Wider bushings at all pivots reduce wear.
- Head casting is cast iron, large water passageway. Less pressure drop, higher flow. Over 25 GPM with 4' bury depth at 30 PSI. If the head casting does not stay in place during operation, tighten the two linkage bolts.
- Hose adapter is 3/4" male hose thread.
- Head has padlock hole. Head bolts are hardened steel, linkage works on unthreaded shank.
- Collar is cast iron, tamper resistant stainless steel hex socket screw, easy to loosen. Use 5/32" Allen wrench.
- No packing, no adjustment required.
- Water goes through a 3/4" Sch. 80 PVC wet pipe which is attached to the head casting with a NPT thread.
- **OEM O-rings are Teflon coated nitrile. Can be replaced with standard #115 O-ring .880" O.D X .674" I.D. X .103" Thick. Pressure rating is 125 PSI.**
- **Plunger is a pressure balanced design** made of acetal thermoplastic. The plunger is threaded to the wet pipe.
- Stand pipe is 1 1/2" steel with corrosion resistant coating. Coating is more corrosion resistant than Sch. 40 galvanized pipe. The stand pipe is attached to the brass valve body using fine threads on the I.D. of the stand pipe. The brass valve body has fine threads on the O.D. with this design there are no exposed threads which can cause corrosion.
- **Bottom inlet, tapped 1" FIP thread.**
- Valve body is red brass. The spool is pressure balanced, making opening and closing easier. This enables the handle to be held open in any position. It has a 1/8" drain hole tapped for female pipe thread that can be attached to extend the drain if required by code, or if desired.
- Valve body drain port tapped 1/8" NPT. Proper installation is essential for satisfactory operation of any hydrant. Adequate provision must be made for proper drainage in cold weather and this is best accomplished by the use of an adequate bed of pea rock under and around the hydrant. Plastic sheeting placed over the pea rock will prevent seepage of dirt into the pea rock to plug the drain field. If ground water table is high it is advisable to run a pipe from the 1/8" NPT drain tapping in the valve body to a drain tile from the vicinity of the hydrant.
- Do not leave a garden hose connected to the 3/4" hose adapter on the outlet of the head casting in the winter time. When the hydrant is in the closed position, air enters through the 3/4" hose fitting allowing the water in the 3/4" Sch. 80 PVC to drain into the drain field to prevent freezing of the water in the wet pipe. If the water is trapped in the wet pipe, the hydrant will freeze and may break the valve body or 3/4" Sch. 80 PVC wet pipe. **If a garden hose connector is left on in the winter time, warranty is null and void.**
- If a vacuum breaker is installed on the 3/4" hose adapter on the outlet of the head casting, make sure it is a total automatic design. The automatic vacuum breaker will allow air to enter through the 3/4" hose adapter allowing the water in the 3/4" Sch. 80 PVC wet pipe to drain. This will prevent the hydrant and valve body from freezing. Many vacuum breakers sold are not automatic. They are manual in operation. **DO NOT USE THESE TYPES ON YOUR HYDRANT. If other than a total automatic design is used, warranty is null and void.**
- **All yard hydrants are leak tested prior to shipping.**



MAGNUM STAINLESS STEEL FROST PROOF YARD HYDRANT



THE MAGNUM IS FOR:

- Home
- Lawn
- Garden Care
- Cleaning Equipment
- Watering Livestock
- Ranches
- Farms
- Fire Protection

MONITOR MAGNUM STAINLESS STEEL FROST PROOF HYDRANT - The unique spool valve design and simple construction of the Monitor® Magnum hydrant provides dependable operation and easy servicing in any weather. The “Balanced Valve” allows smooth easy flow adjustment since the water flow does not oppose valve movement as in other hydrants. Corrosion resistant brass valve body, **stainless steel stand pipe**, acetal spool and ¾" Sch. 80 PVC wet pipe contain the water flow, extending hydrant life. The elimination of a packing nut, valve rod and linkage adjustment eliminates many maintenance and repair kits required with ordinary hydrants. When properly installed occasional easy replacement of the three standard O-rings will be the only routine maintenance required.

All internal parts can be quickly removed without the use of pipe wrenches or digging. Please turn off the water supply, loosen the stainless steel hex screw in the collar and pull out the inside wet pipe. Replace the O-ring, then simply bottom out the head casting on the stand pipe. Rotate the head casting outlet (clockwise only) to home owner's preference and tighten the set screw.

Location of outlet is approximately 24" above ground in addition to bury depth.

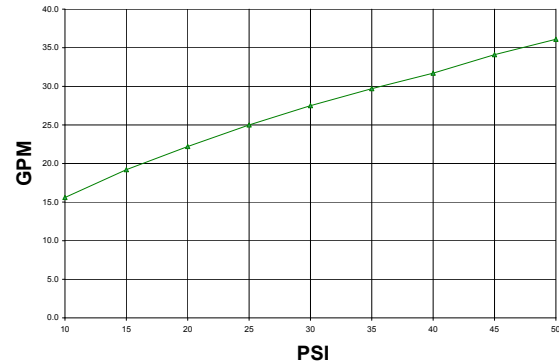
BURY DEPTH	MODEL NO.	WEIGHT	LEAD FREE *	BURY DEPTH	MODEL NO.	WEIGHT	LEAD FREE *
1 ft	1WHMB75SS	10 lb	NO	5 ft	5WHMB75SS	15 lb	NO
1 ft	1WHMB75LFSS	10 lb	YES	5 ft	5WHMB75LFSS	15 lb	YES
1.5 ft	1.5WHMB75SS	11 lb	NO	6 ft	6WHMB75SS	17 lb	NO
1.5 ft	1.5WHMB75LFSS	11 lb	YES	6 ft	6WHMB75LFSS	17 lb	YES
2 ft	2WHMB75SS	11 lb	NO	7 ft	7WHMB75SS	18 lb	NO
2 ft	2WHMB75LFSS	11 lb	YES	7 ft	7WHMB75LFSS	18 lb	YES
2.5 ft	2.5WHMB75SS	12 lb	NO	8 ft	8WHMB75SS	19 lb	NO
2.5 ft	2.5WHMB75LFSS	12 lb	YES	8 ft	8WHMB75LFSS	19 lb	YES
3 ft	3WHMB75SS	13 lb	NO	10 ft	10WHMB75SS	22 lb	NO
3 ft	3WHMB75LFSS	13 lb	YES	10 ft	10WHMB75LFSS	22 lb	YES
4 ft	4WHMB75SS	14 lb	NO	11 ft	11WHMB75SS	25 lb	NO
4 ft	4WHMB75LFSS	14 lb	YES	11 ft	11WHMB75LFSS	25 lb	YES

*Conforms to NSF/ANSI 372

Flow Capacity of Magnum Stainless Steel Frost Proof Yard Hydrant

(4 ft Bury Depth, 1" I.D. Inlet & .750" I.D. Outlet)

Patent# 6,178,988 B1



- Open blade ductile iron handle on the top of the head casting is easy to open or close regardless of hand size, even with a glove on. Wider bushings at all pivots reduce wear.
- Head casting is cast iron, large water passageway. Less pressure drop, higher flow. Over 25 GPM with 4' bury depth at 30 PSI. If the head casting does not stay in place during operation, tighten the two linkage bolts.
- Hose adapter is 3/4" male hose thread.
- Head has padlock hole. Head bolts are hardened steel, linkage works on unthreaded shank.
- Collar is cast iron, tamper resistant stainless steel hex socket screw, easy to loosen. Use 5/32" Allen wrench.
- No packing, no adjustment required.
- Water goes through a 3/4" Sch. 80 PVC wet pipe which is attached to the head casting with a NPT thread.
- **OEM O-rings are Teflon coated nitrile. Can be replaced with standard #115 O-ring .880" O.D X .674" I.D. X .103" Thick. Pressure rating is 125 PSI.**
- **Plunger is a pressure balanced design** made of acetal thermoplastic. The plunger is threaded to the wet pipe.
- Stand pipe is 1 1/2" stainless steel. The stand pipe is attached to the brass valve body using fine threads on the I.D. of the stand pipe. The brass valve body has fine threads on the O.D. with this design there are no exposed threads which can cause corrosion.
- **Bottom inlet, tapped 1" FIP thread.**
- Valve body is red brass. The spool is pressure balanced, making opening and closing easier. This enables the handle to be held open in any position. It has a 1/8" drain hole tapped for female pipe thread that can be attached to extend the drain if required by code, or if desired.
- Valve body drain port tapped 1/8" NPT. Proper installation is essential for satisfactory operation of any hydrant. Adequate provision must be made for proper drainage in cold weather and this is best accomplished by the use of an adequate bed of pea rock under and around the hydrant. Plastic sheeting placed over the pea rock will prevent seepage of dirt into the pea rock to plug the drain field. If ground water table is high it is advisable to run a pipe from the 1/8" NPT drain tapping in the valve body to a drain tile from the vicinity of the hydrant.
- Do not leave a garden hose connected to the 3/4" hose adapter on the outlet of the head casting in the winter time.
- When the hydrant is in the closed position, air enters through the 3/4" hose fitting allowing the water in the 3/4" Sch. 80 PVC to drain into the drain field to prevent freezing of the water in the wet pipe. If the water is trapped in the wet pipe, the hydrant will freeze and may break the valve body or 3/4" Sch. 80 PVC wet pipe. **If a garden hose connector is left on in the winter time, warranty is null and void.**
- If a vacuum breaker is installed on the 3/4" hose adapter on the outlet of the head casting, make sure it is a total automatic design. The automatic vacuum breaker will allow air to enter through the 3/4" hose adapter allowing the water in the 3/4" Sch. 80 PVC wet pipe to drain. This will prevent the hydrant and valve body from freezing. Many vacuum breakers sold are not automatic. They are manual in operation. **DO NOT USE THESE TYPES ON YOUR HYDRANT. If other than a total automatic design is used, warranty is null and void.**
- **All yard hydrants are leak tested prior to shipping.**



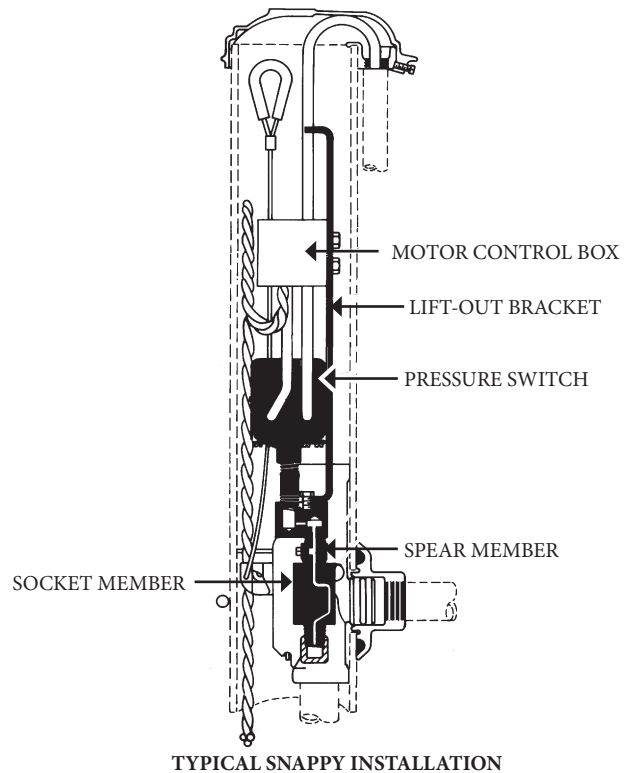
AT-THE-WELL CONCEPT

The At-The-Well concept of a Pitless Unit installation locates all of the equipment normally used in an automatic water system at the well head. This type of installation has many advantages.

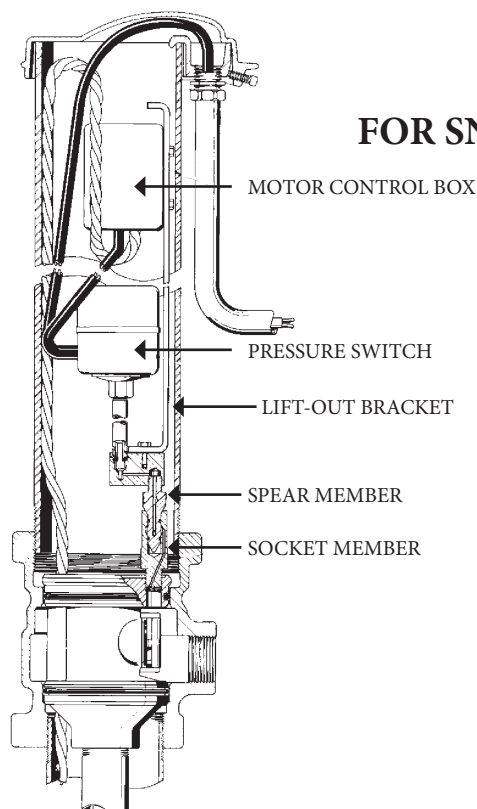
CONVENIENT . . . Often the pump motor control, pressure switch, and pressure tank are located inside a building. Many times a convenient location cannot be found for this equipment. By using a Monitor At-The-Well Control System and a buried pressure tank the whole system can be installed at the well site.

LOWER INSTALLATION COST . . . The minimum amount of wire and piping are required with an At-The-Well Control System installation.

EASY SERVICE . . . The pump control box, pressure switch, and other equipment are located at the well and are easily accessible for service. This equipment is located inside the upper pitless case and protected from damage, freezing, and extreme temperature variations.



AT-THE-WELL CONCEPT FOR SNAPPY PITLESS ADAPTER AND PS PITLESS UNIT

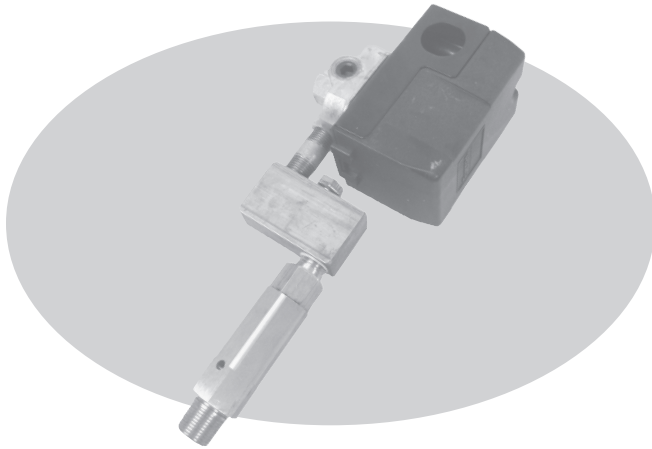


- The socket member of a conduit coupling is permanently screwed into the drop pipe fitting of the pitless adapter and the spool of the Pitless Unit.
- A control assembly contains a motor control box, pressure switch, and spear member of the conduit coupling.
- The control assembly is lowered into the well casing until the spear enters and bottoms in the socket forming both a fluid tight conduit from the drop pipe to the pressure switch and a support for the control assembly.

Since the conduit coupling is not subject to separation by system pressure no fastener is used to hold down the control assembly. Hence the control assembly may be simply lifted out for servicing without pulling the pump or electrically disconnecting either the pressure switch or the control box.

WARNING: If installing on a gaseous well a non-explosive pressure switch must be used.

AT-THE-WELL CONTROL KIT PLUG-IN



AT-THE-WELL CONTROL KIT PLUG-IN - For submersible pumps

*120 psi max pressure rating

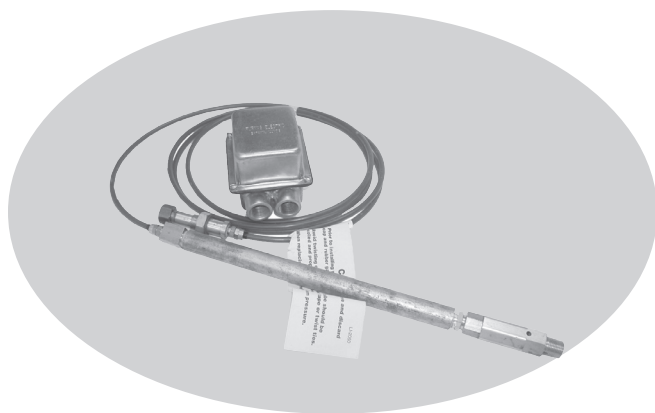
*Conforms to NSF/ANSI 372

AW CONTROL KIT WITH ALL WEATHER PRESSURE SWITCH

ORDER NO.	PITLESS UNIT BURY DEPTH	WEIGHT
0AWSPLF	0 ft	4 lb
3AWSPLF	3 ft	5 lb
4AWSPLF	4 ft	5 lb
5AWSPLF	5 ft	5 lb
6AWSPLF	6 ft	6 lb
7AWSPLF	7 ft	7 lb

AW CONTROL KIT WITHOUT PRESSURE SWITCH

ORDER NO.	PITLESS UNIT BURY DEPTH	WEIGHT
0AWSLF	0 ft	2 lb
3AWSLF	3 ft	3 lb
4AWSLF	4 ft	3 lb
5AWSLF	5 ft	3 lb
6AWSLF	6 ft	3 lb
7AWSLF	7 ft	3 lb



AT-THE-WELL CONTROL KIT PLUG-IN - For reciprocating and submersible pumps

*120 psi max pressure rating

*Conforms to NSF/ANSI 372

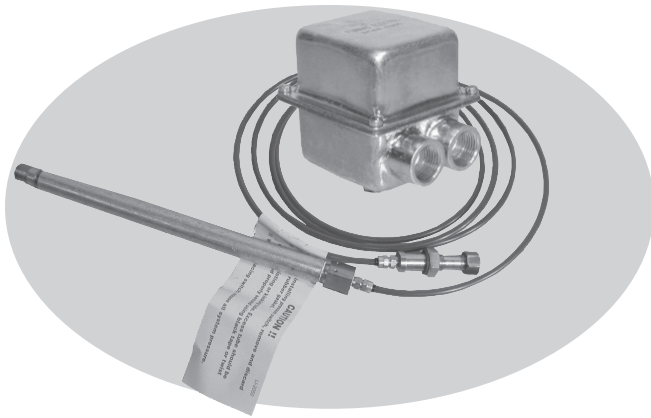
AW CONTROL KIT WITH ALL WEATHER PRESSURE SWITCH

ORDER NO.	PITLESS UNIT BURY DEPTH	WEIGHT
0AWRPALF	0 ft	5 lb
3AWRPALF	3 ft	6 lb
4AWRPALF	4 ft	6 lb
5AWRPALF	5 ft	6 lb
6AWRPALF	6 ft	6 lb
7AWRPALF	7 ft	6 lb
8AWRPALF	8 ft	6 lb

AW CONTROL KIT WITHOUT PRESSURE SWITCH

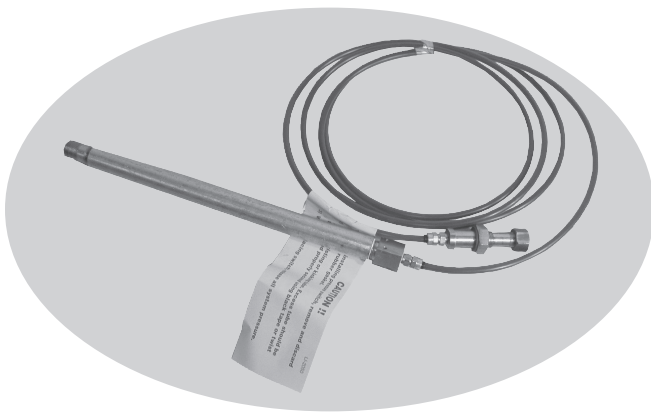
ORDER NO.	PITLESS UNIT BURY DEPTH	WEIGHT
0AWRLF	0 ft	4 lb
3AWRLF	3 ft	5 lb
4AWRLF	4 ft	5 lb
5AWRLF	5 ft	5 lb
6AWRLF	6 ft	5 lb
7AWRLF	7 ft	5 lb

AT-THE-WELL CONTROL KIT SCREW-IN



AT-THE-WELL CONTROL KIT SCREW-IN - For reciprocating and submersible pumps. One size fits 0 - 8 foot bury depth.
*Conforms to NSF/ANSI 372

Order No. 8AWAPALF



AT-THE-WELL CONTROL KIT SCREW-IN - For reciprocating and submersible pumps. Does not contain pressure switch.
*Conforms to NSF/ANSI 372

Order No. 8AWAALF

AT-THE-WELL CONTROL FLUID - For reciprocating and submersible pumps.

*1 pint (16 oz.)

*Conforms to NSF/ANSI 372

Order No. 8AWF





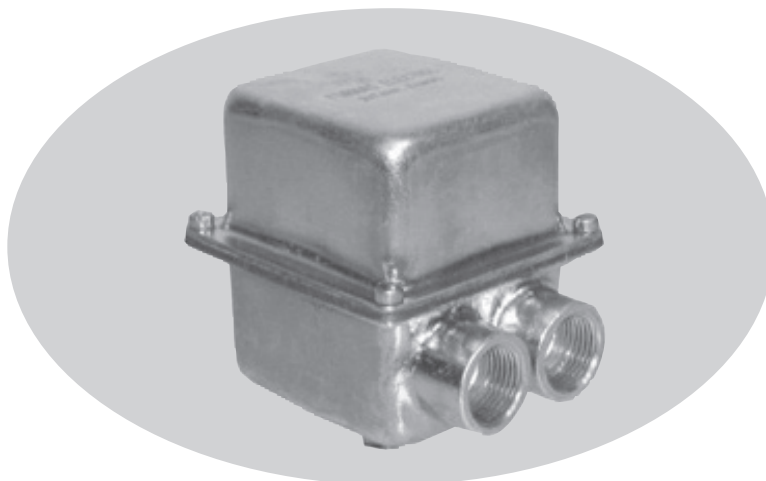
PRESSURE SWITCH

ALL WEATHER PRESSURE SWITCH - Weather proof construction prevents entry of rain, snow, dust, and insects, insuring trouble free operation.

FEATURES

- Case and cover are zinc plated and chromate finished for durability and corrosion resistance
- Two external ½" conduit hubs
- ¼" female tapping
- Factory set 40 - 60 psi, 80 pound maximum
- 2 horsepower motor

Order No. 0AWP

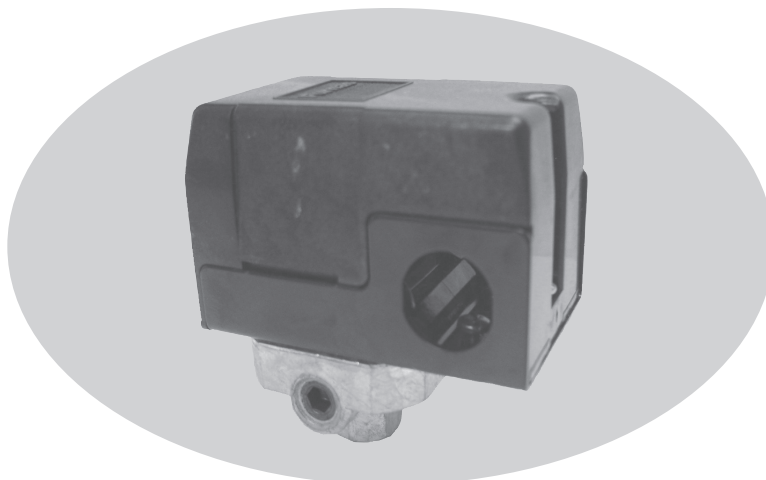


ALL WEATHER PRESSURE SWITCH FOR AWSP -

FEATURES

- ¼" female tapping
- Factory set 40 - 60 psi, 65 pound maximum
- 1 horsepower motor

Order No. 334PC



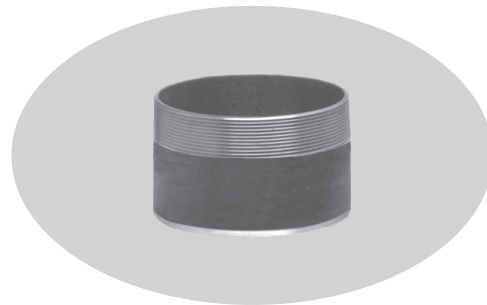
ACCESSORIES

WELDING NIPPLE - For use with Pitless Units containing a female threaded connection to the well casing (one end male threaded). The other end is chamfered for welding to the top of the casing.

*Certified for WIS

WELDING NIPPLE

ORDER NO.	I.D. WELL SIZE	PITLESS UNIT WELL SIZE	WEIGHT
4AWN	4"	4"	3 lb
5AWN	5"	5"	3 lb
6AWN	6"	6"	4 lb
7AWN	7"	7"	5 lb
8AWN	8"	8"	6 lb
10AWN	10"	10"	20 lb
12AWN	12"	12"	21 lb



SWAGGED NIPPLE - For use with Pitless Units to increase casing size. Male threaded on both ends. Screws into coupling located on top of the casing.

SWAGGED NIPPLE

ORDER NO.	I.D. WELL SIZE	PITLESS UNIT WELL SIZE	WEIGHT
23ASN	2"	3"	5 lb
2.53ASN	2½"	3"	5 lb
34ASN	3"	4"	7 lb
45ASN	4"	5"	13 lb
46ASN	4"	6"	17 lb
56ASN	5"	6"	18 lb



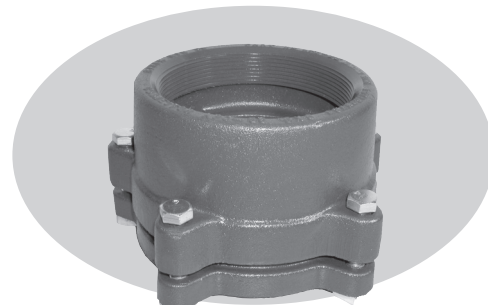
PITLESS CONNECTOR - For use with Pitless Units. One end is female threaded. The other end is slipped onto the top of the well casing and held in place by a neoprene seal ring. This clamps against the casing.



Made in the USA

PITLESS CONNECTOR

ORDER NO.	I.D. WELL SIZE	PITLESS UNIT WELL SIZE	WEIGHT
4APC	4" - 4¼"	4"	11 lb
65APC	5" - 5 ⅜"	5"	18 lb
66APC	6" - 6¼"	6"	25 lb





PIPE HOLDER - Sets on top of the well casing for safe installations and drop pipe removal. The clamp jaw moves on a hinge pin to hold the drop pipe against the adjustable jaw. For use with 1", 1¼", 1½", and 2" steel drop pipe.

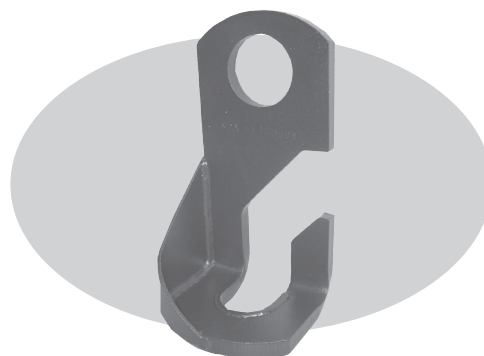
Order No. 201PH



PIPE ELEVATOR - Standard and PVC Bell End.

PIPE ELEVATOR STANDARD

ORDER NO.	LOAD RATING	STEEL PIPE SIZE	WEIGHT
910WX	6,000 lb	1"	6 lb
912WX	6,000 lb	1¼"	8 lb
915WX	6,000 lb	1½"	10 lb
920WX	6,000 lb	2"	13 lb



PIPE ELEVATOR PVC BELL END

ORDER NO.	LOAD RATING	STEEL PIPE SIZE	WEIGHT
910WXP	4,000 lb	1"	6 lb
912WXP	4,000 lb	1¼"	8 lb



ORNAMENTAL IRON PRODUCTS HORSE HEAD - The ideal item to brighten up your patio, yard, or driveway entrance. Made of heavy cast iron construction. The horse head is painted black and can be mounted on any 5 inch post. This ornamental horse head is 13 inches high and weighs 17 pounds. Use it for the spot that needs an antique touch.

Please use order number 11HH.



Made in the USA

