



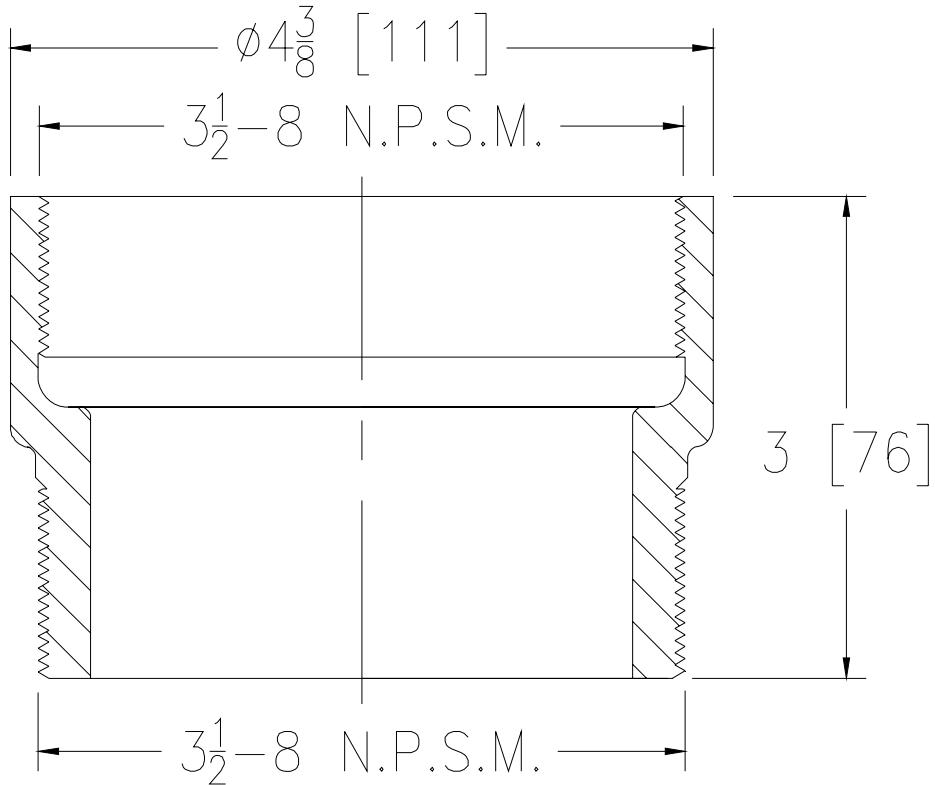
Z400U

ADJUSTABLE STRAINER EXTENSION

SPECIFICATION SHEET

TAG _____

Dimensional Data (inches and [mm]) are Subject to Manufacturing Tolerances and Change Without Notice



Strainer Designation	Approx. Wt. Lbs. [kg]
-U	2 [1]

ENGINEERING SPECIFICATION: ZURN Z()400U
 "TYPE U" adjustable strainer extension.

OPTIONS (Check/specify appropriate options)

PREFIXES

- ___ Z D.C.C.I Body*
- ___ ZN Cast Nickel Bronze Body

SUFFIXES

- ___ -G Galvanized Cast Iron

REV. B	DATE: 11/10/10	C.N. NO. 120317
DWG. NO. 61869	PRODUCT NO. Z400U	

*REGULARLY FURNISHED UNLESS OTHERWISE SPECIFIED