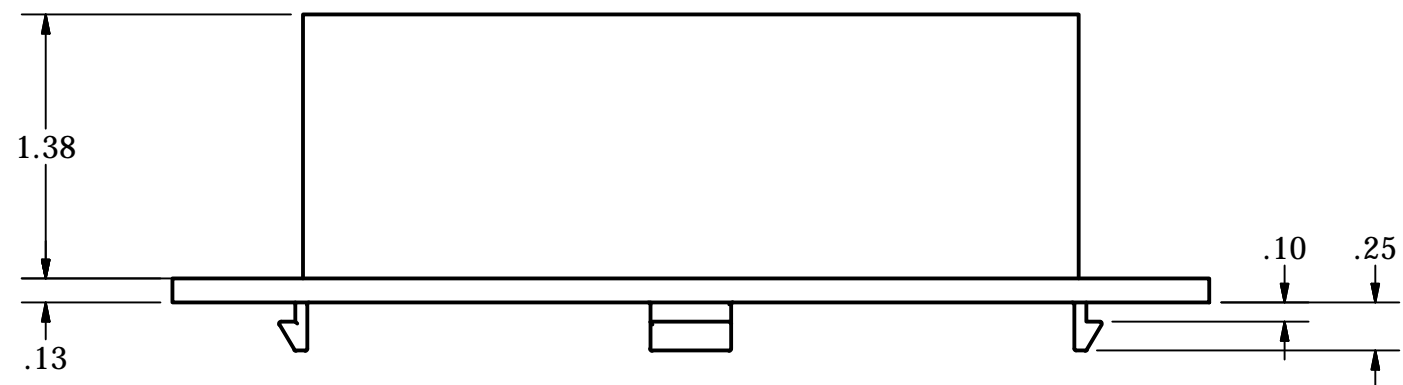
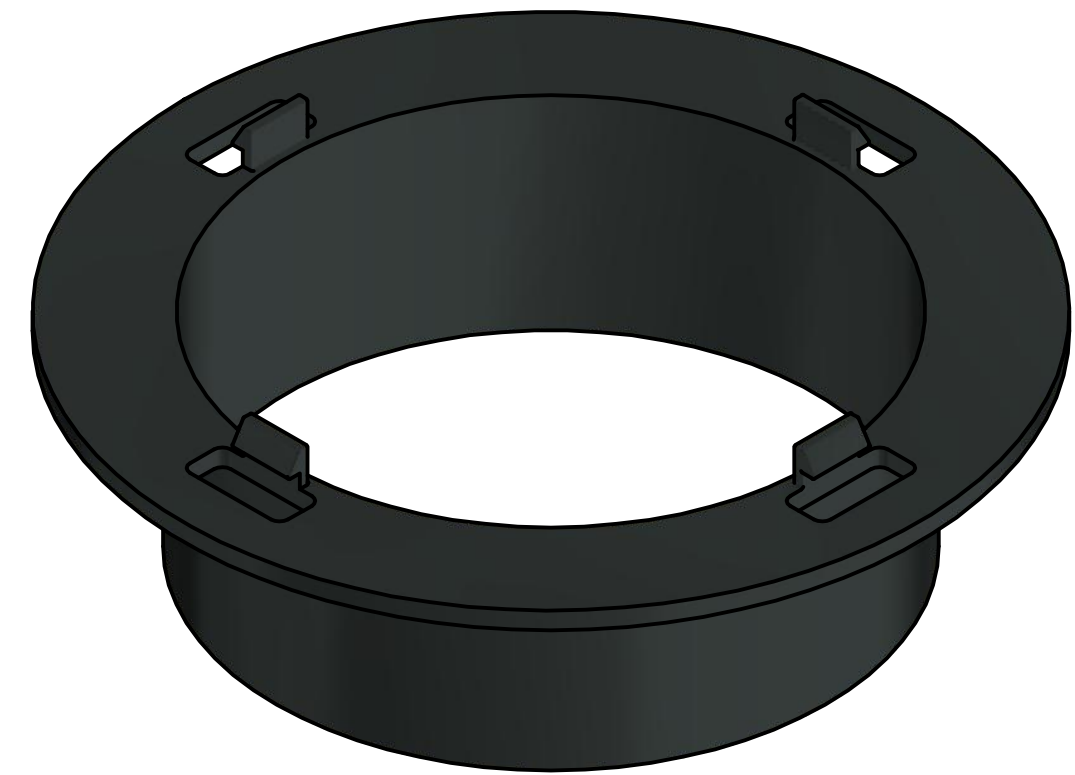
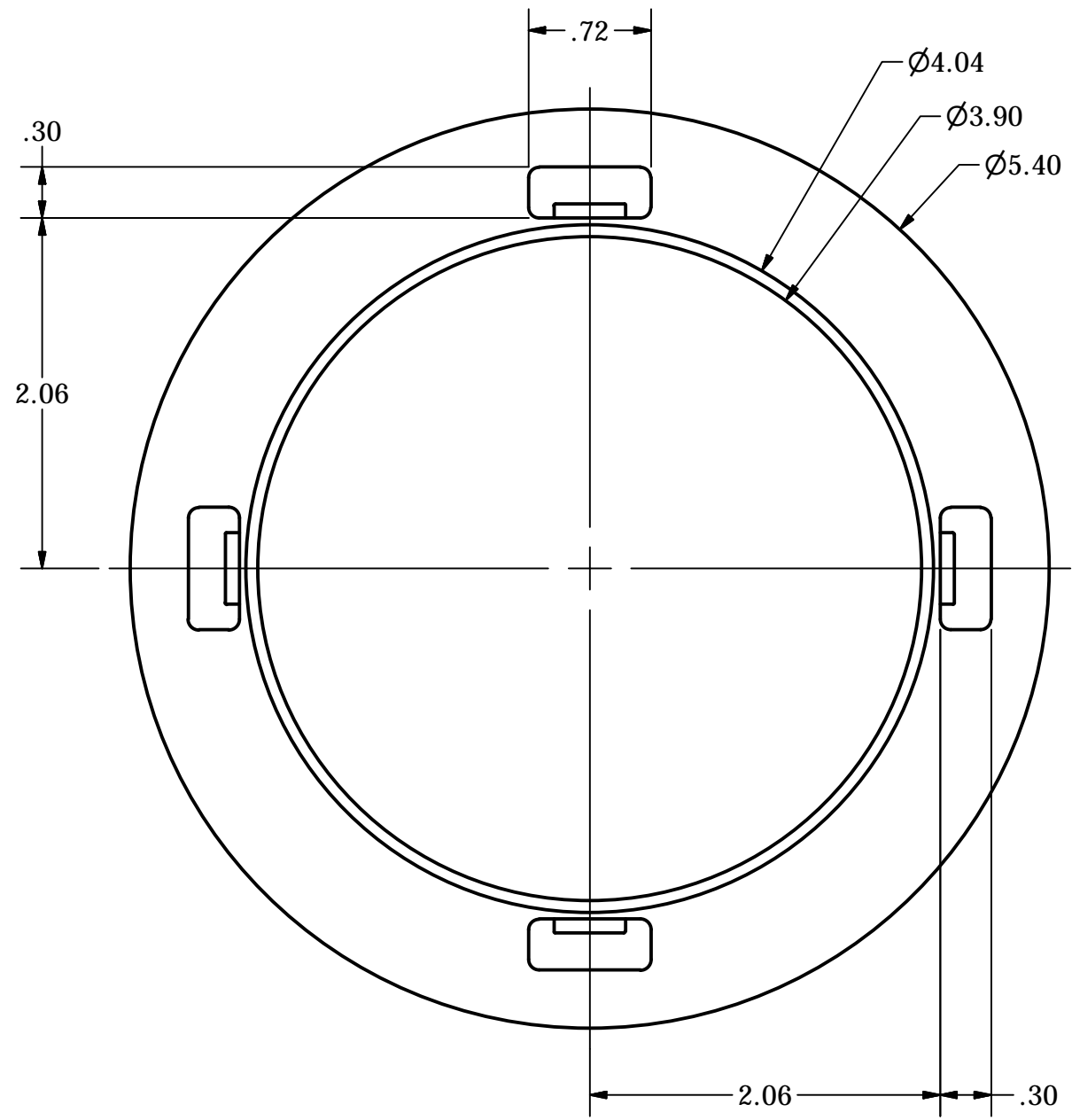
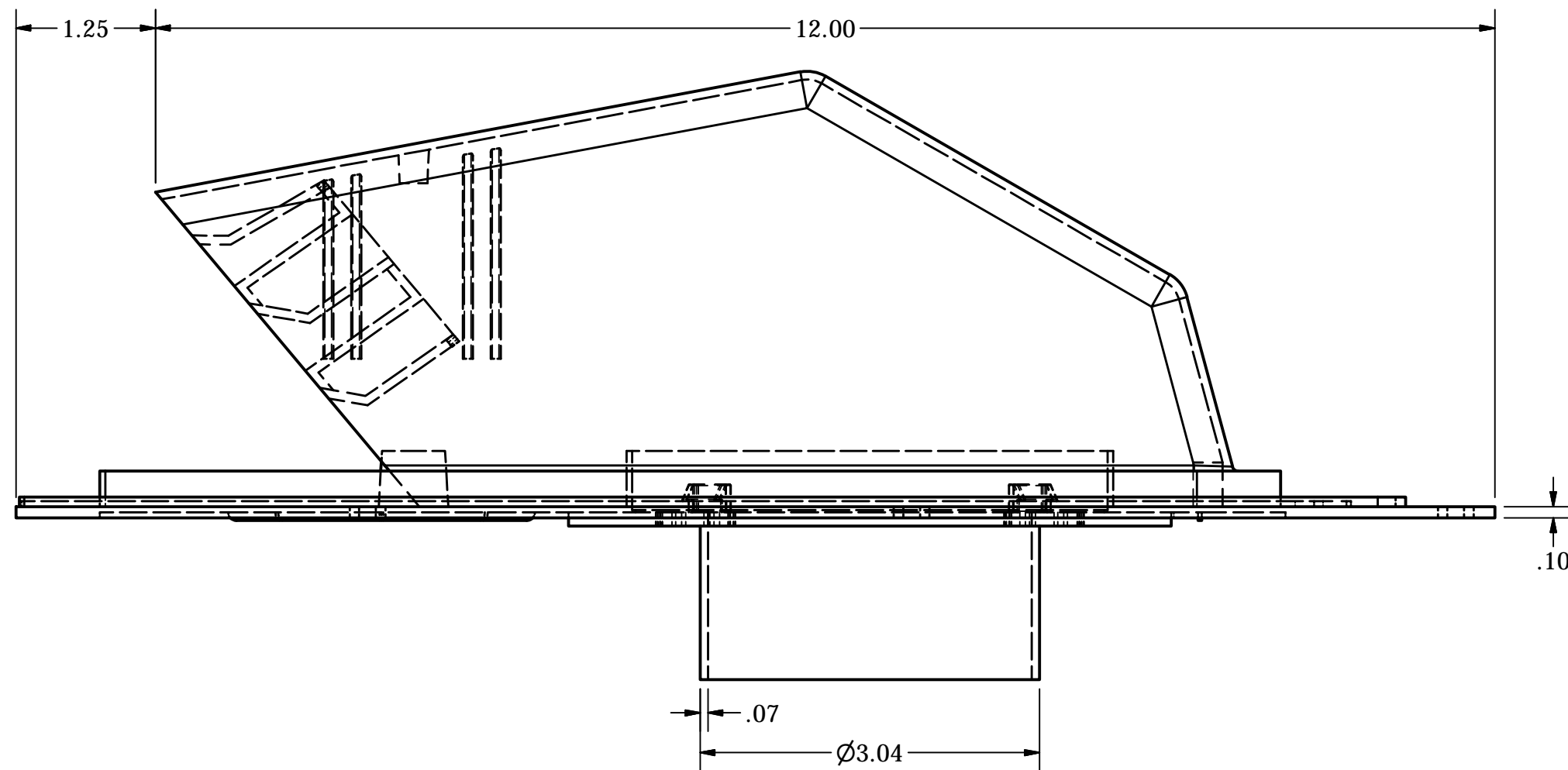
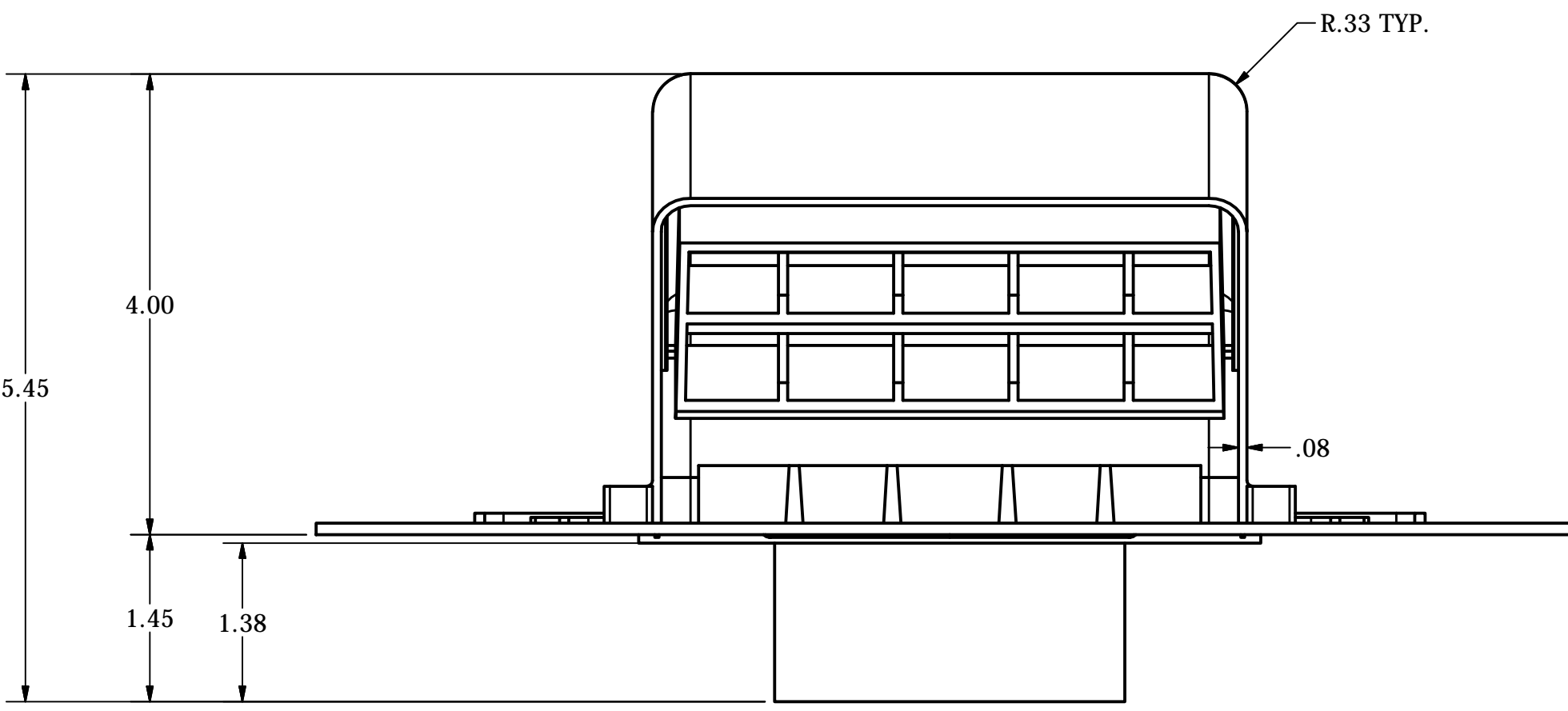
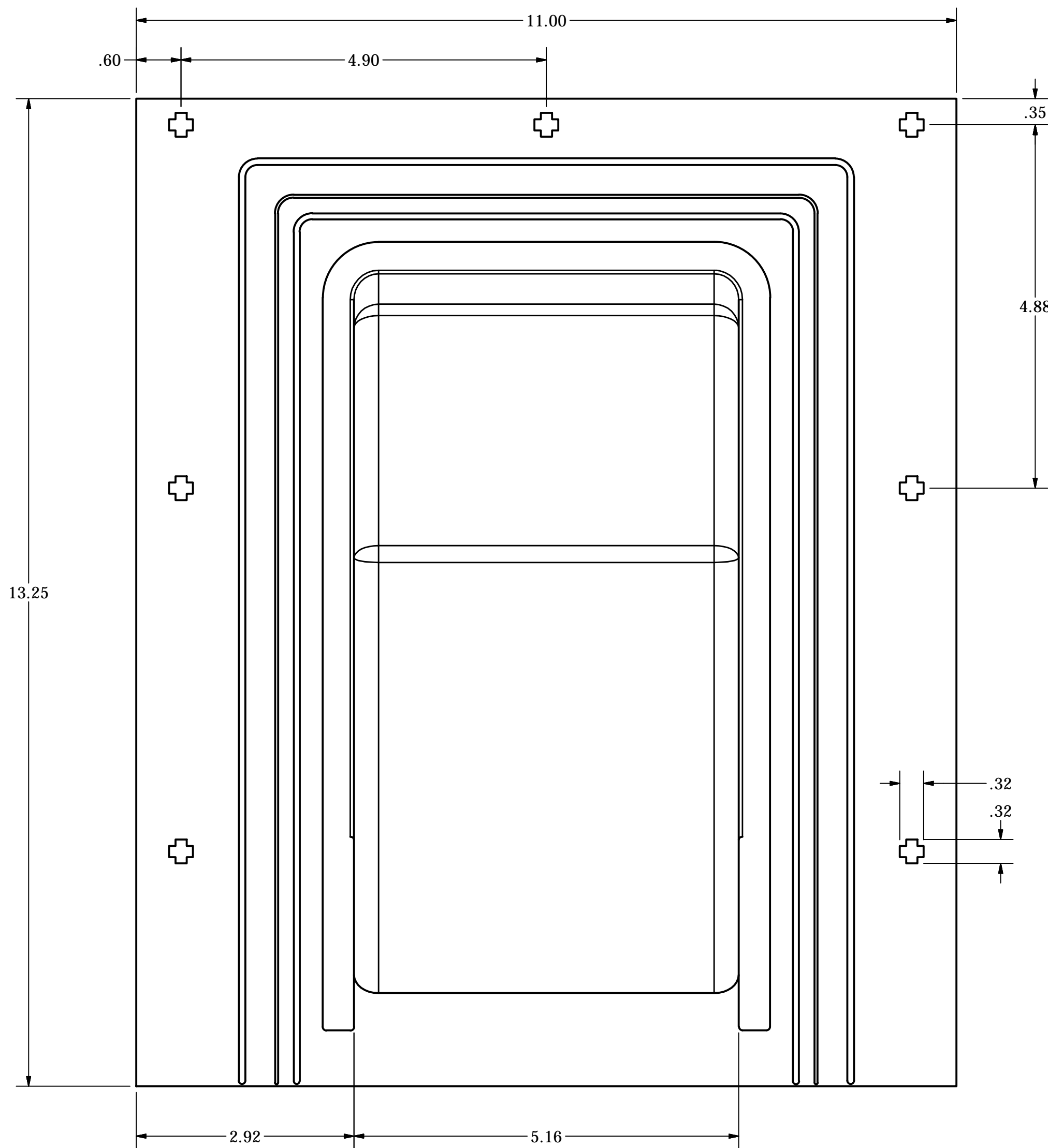


DRAWN	JOSEPH VALENTI	7/20/2014	LAMBRO INDUSTRIES, INC.		
CHECKED			TITLE		
QA			354 / 3540 3" - 4" Black Plastic Roof Cap w/ Screen		
MFG			SIZE	DWG NO	REV
APPROVED			D	354R	
			SCALE		SHEET 1 OF 1

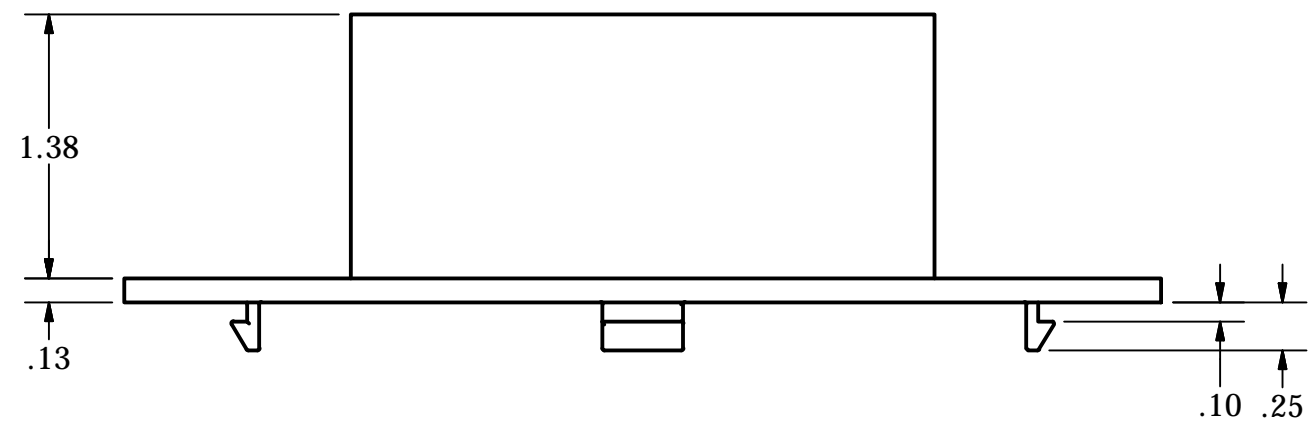
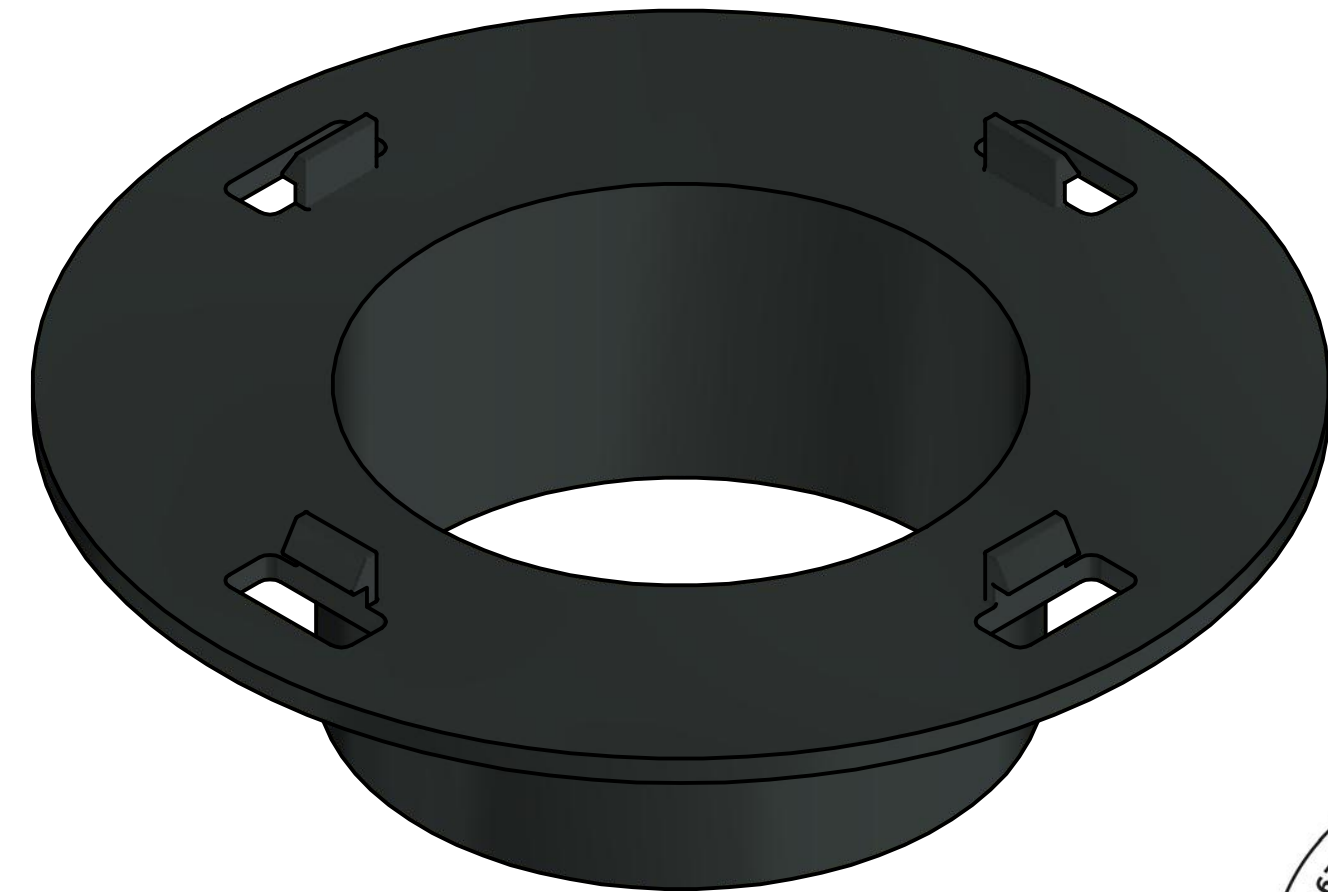
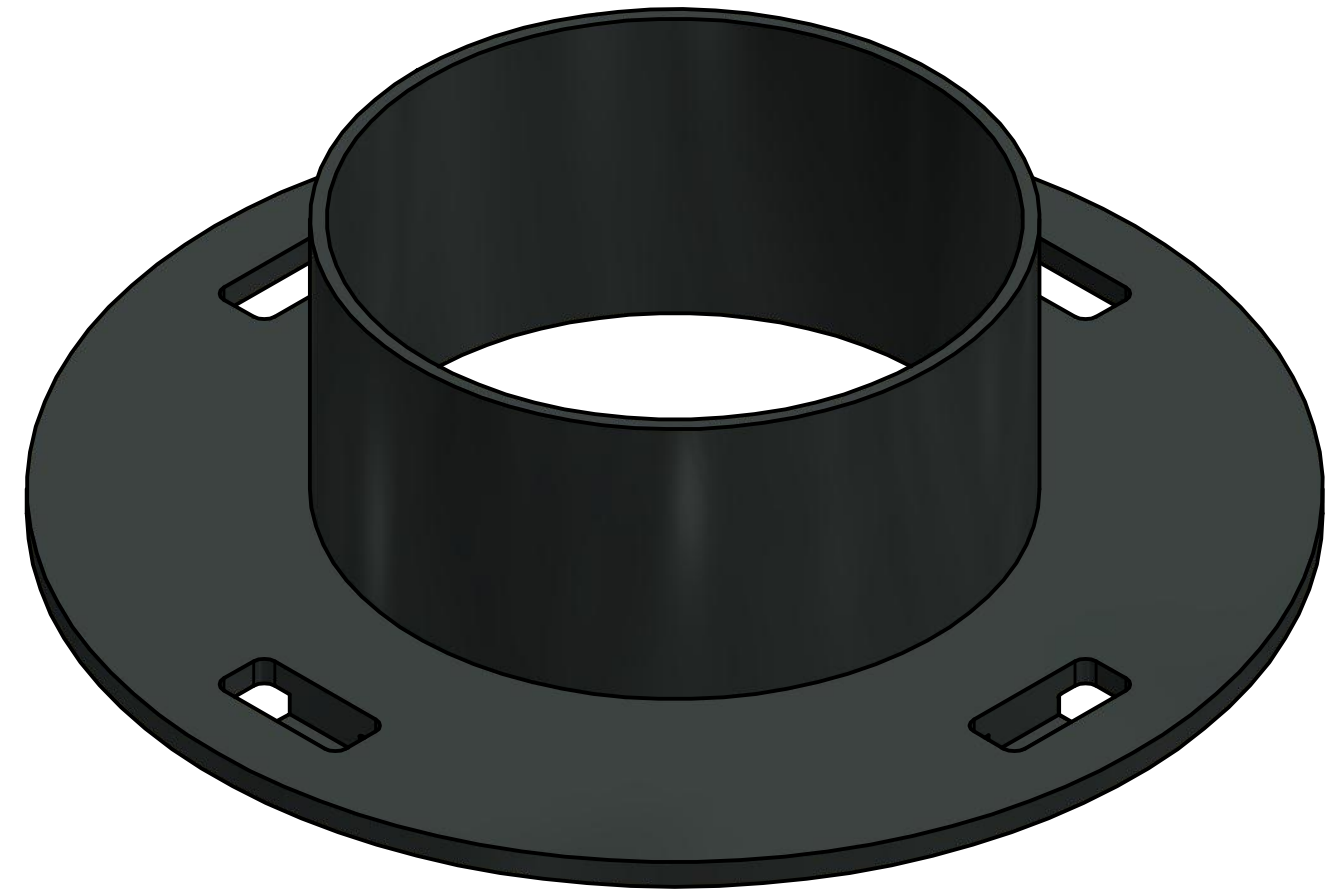
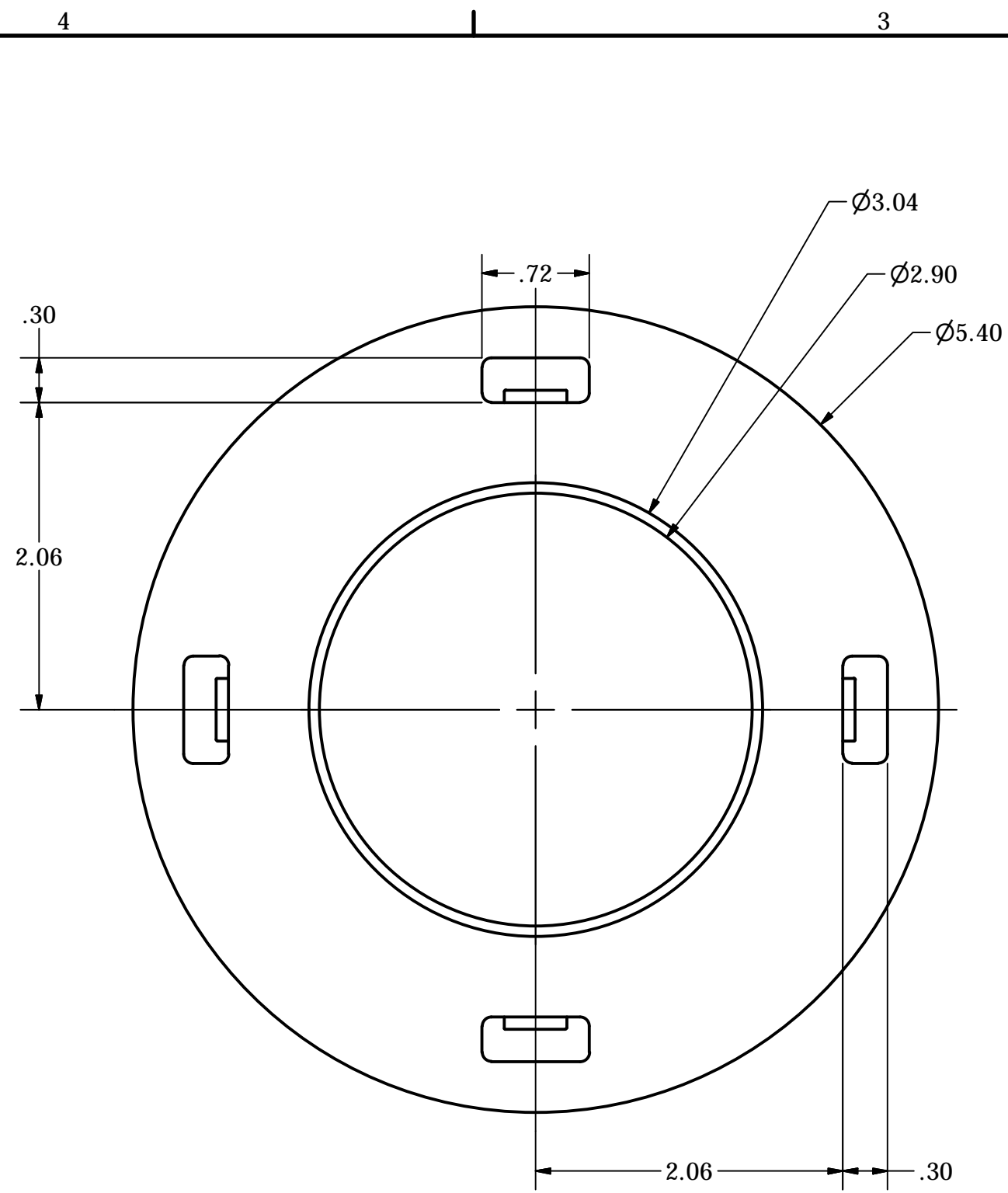


DRAWN JOSEPH VALENTI	7/20/2014	LAMBRO INDUSTRIES, INC.		
CHECKED		TITLE		
QA		345R 4" ADAPTER		
MFG		SIZE C	DWG NO 354R - F	REV
APPROVED		SCALE	SHEET 1 OF 1	



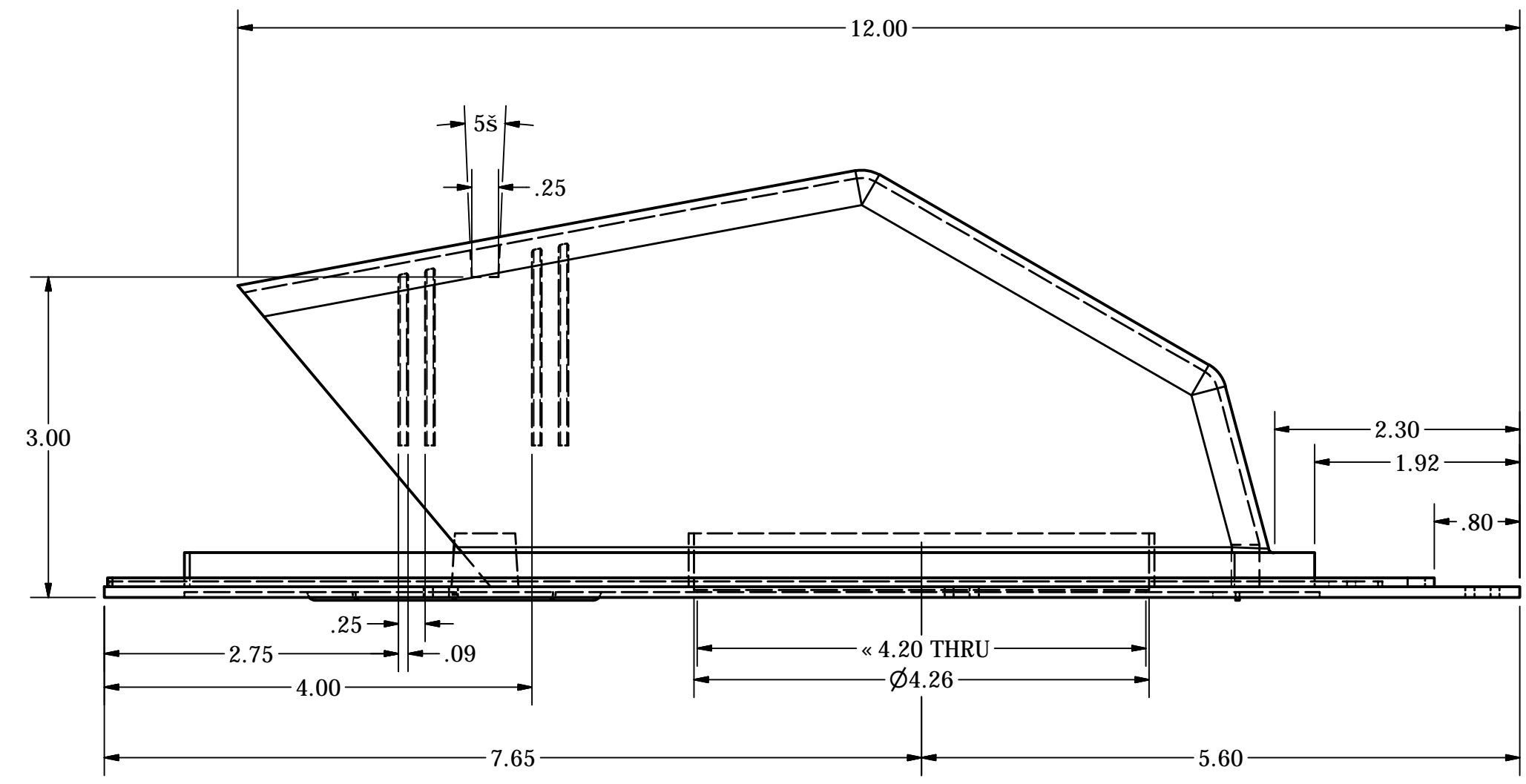
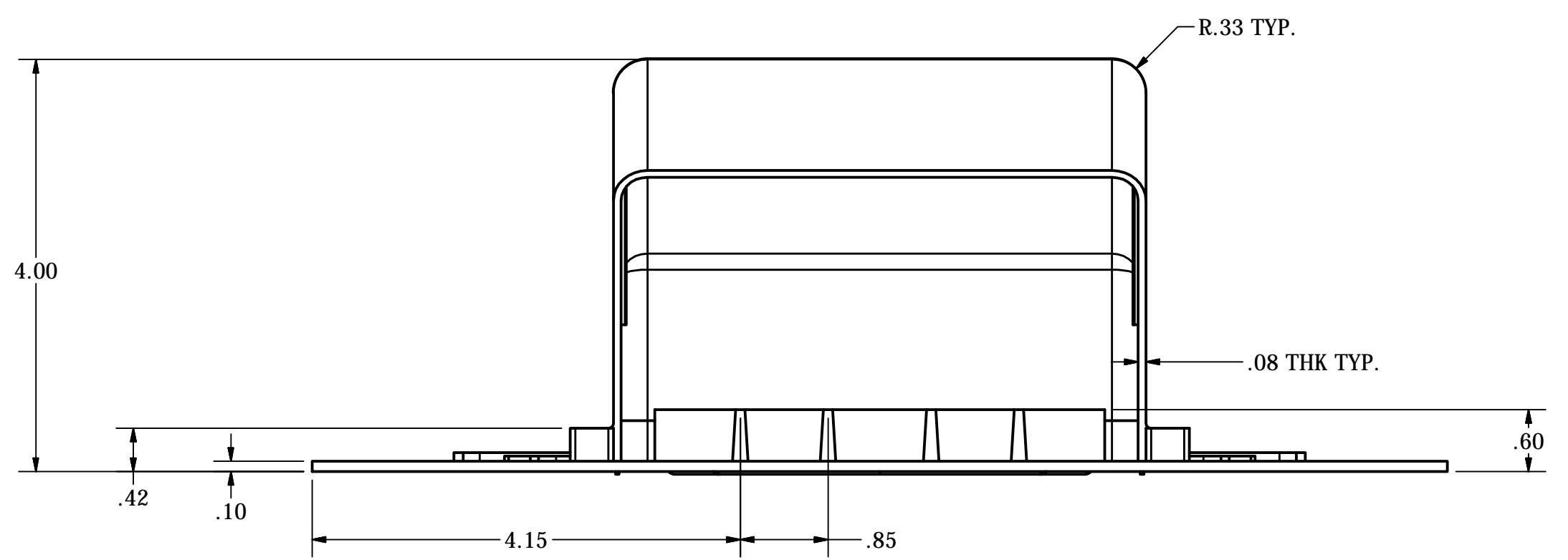
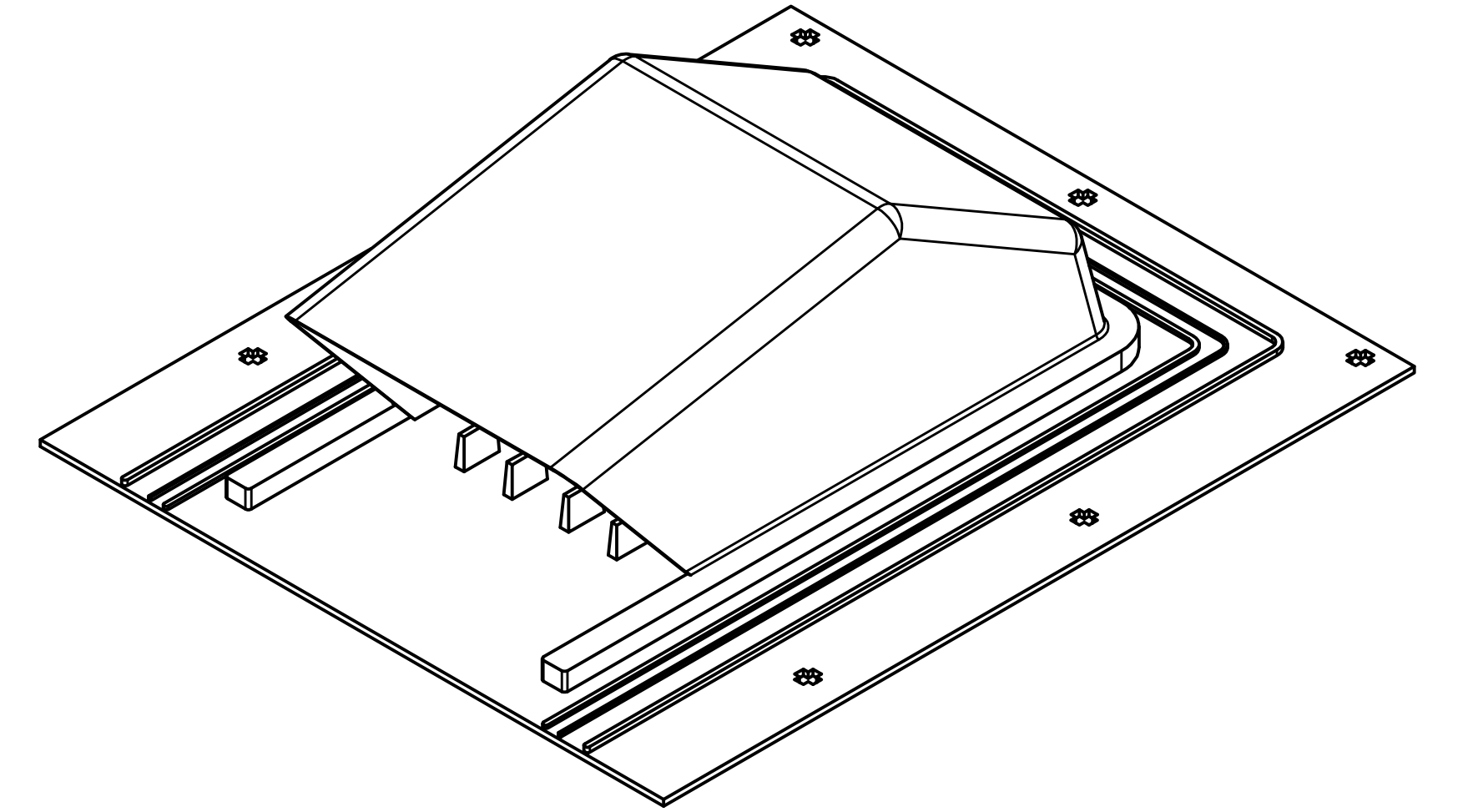
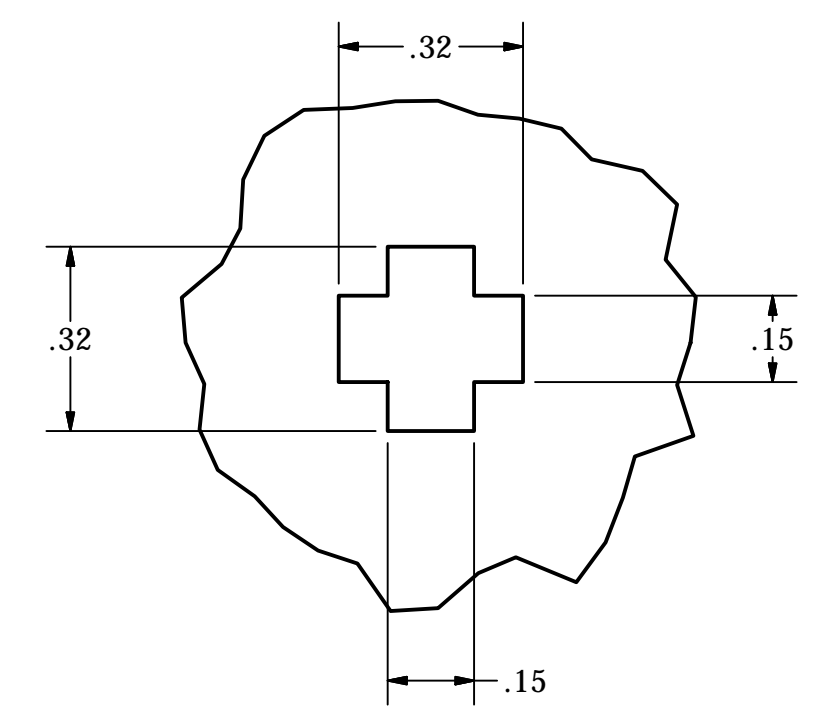
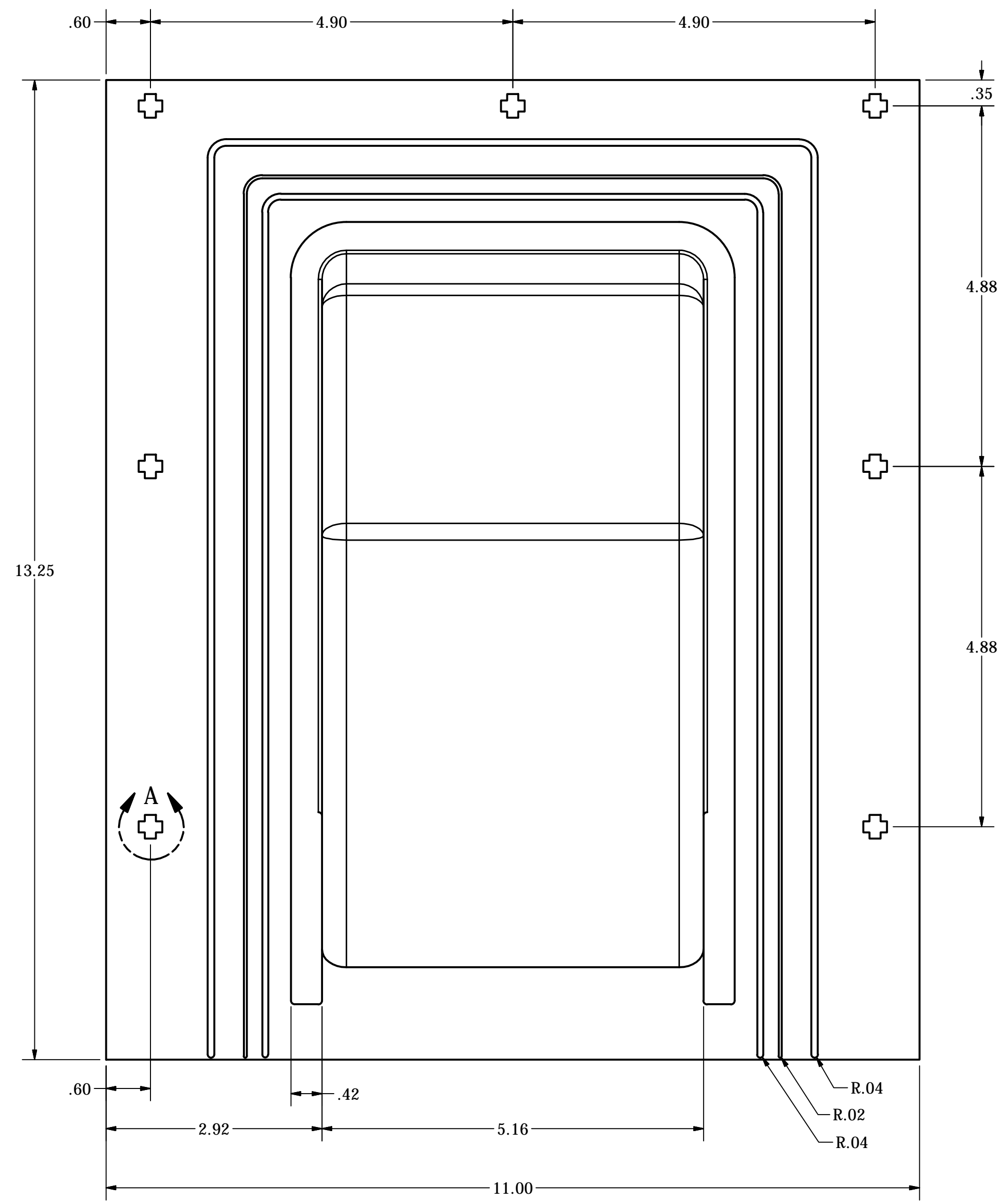


DRAWN	JOSEPH VALENTI	7/20/2014	LAMBRO INDUSTRIES, INC.		
CHECKED			TITLE		
QA			354 / 3540 3" - 4" Black Plastic Roof Cap w/ Screen		
MFG			SIZE	DWG NO	REV
APPROVED			D	354R ASSEMBLY	
			SCALE	SHEET 1 OF 1	



DRAWN	JOSEPH VALENTI	7/20/2014	LAMBRO INDUSTRIES, INC.		
CHECKED			TITLE		
QA			354R 3" ADAPTER		
MFG			SIZE	DWG NO	REV
APPROVED			C	354R - F	
			SCALE	SHEET 1 OF 1	

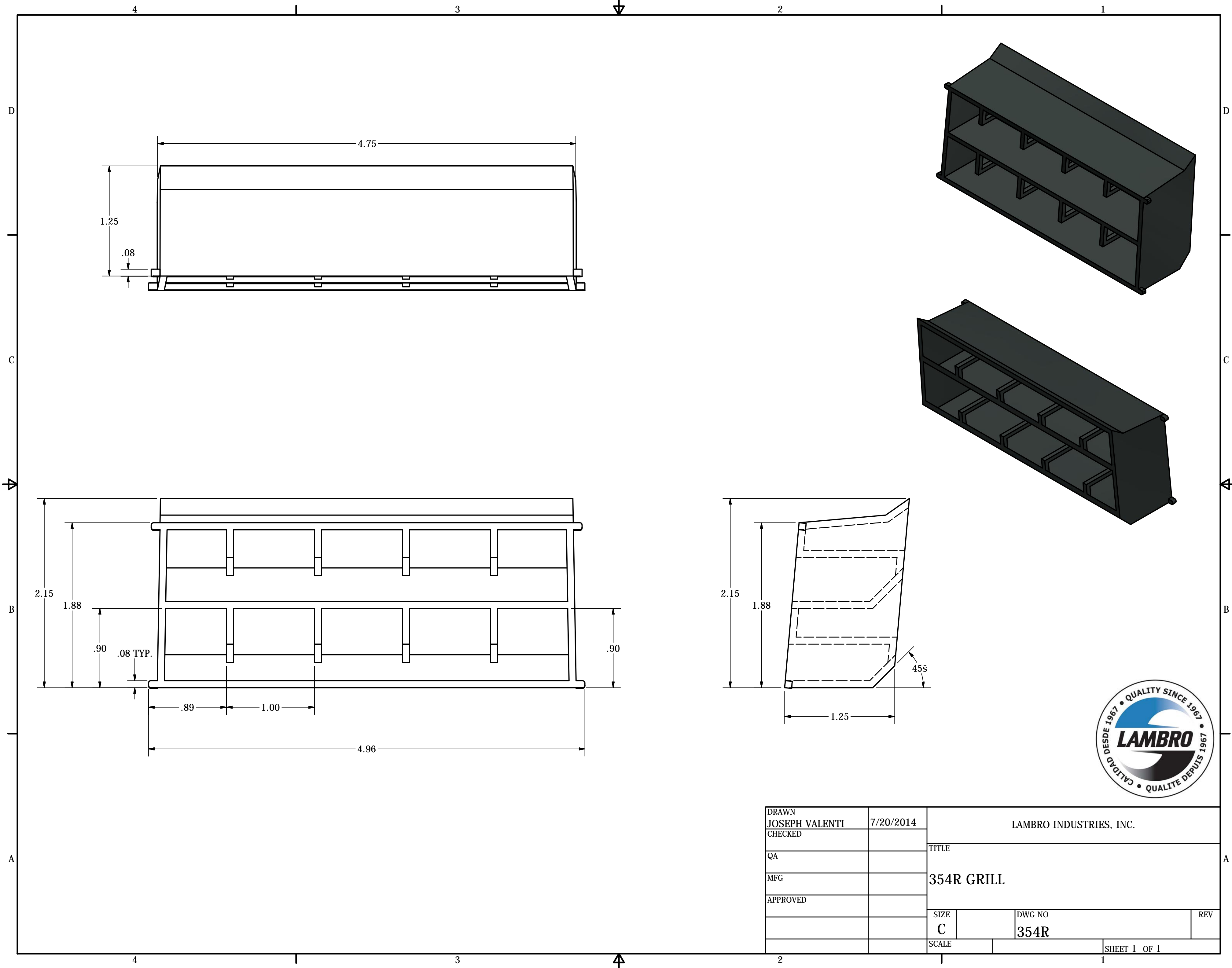
8 7 6 5 4 3 2 1



DRAWN	JOSEPH VALENTI	7/20/2014	LAMBRO INDUSTRIES, INC.		
CHECKED			TITLE		
QA			354R BASE		
MFG			SIZE	DWG NO	REV
APPROVED			D	354R - E	
			SCALE		SHEET 1 OF 1

8 7 6 5 4 3 2 1





DRAWN JOSEPH VALENTI		7/20/2014		LAMBRO INDUSTRIES, INC.	
CHECKED				TITLE	
QA				354R GRILL	
MFG				SIZE	
APPROVED				C	
		SCALE		DWG NO	
				354R	
				REV	
				SHEET 1 OF 1	