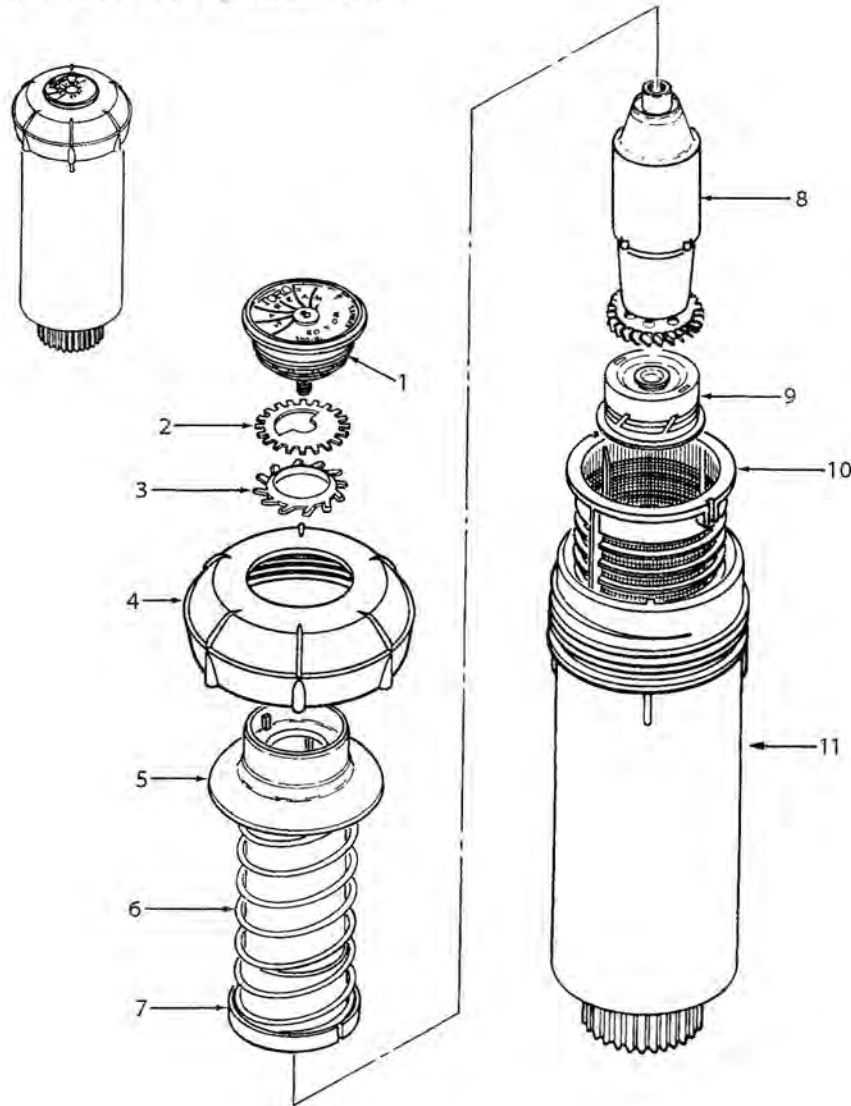


300 Series Multiple Stream Gear Driven Sprinklers

TORO



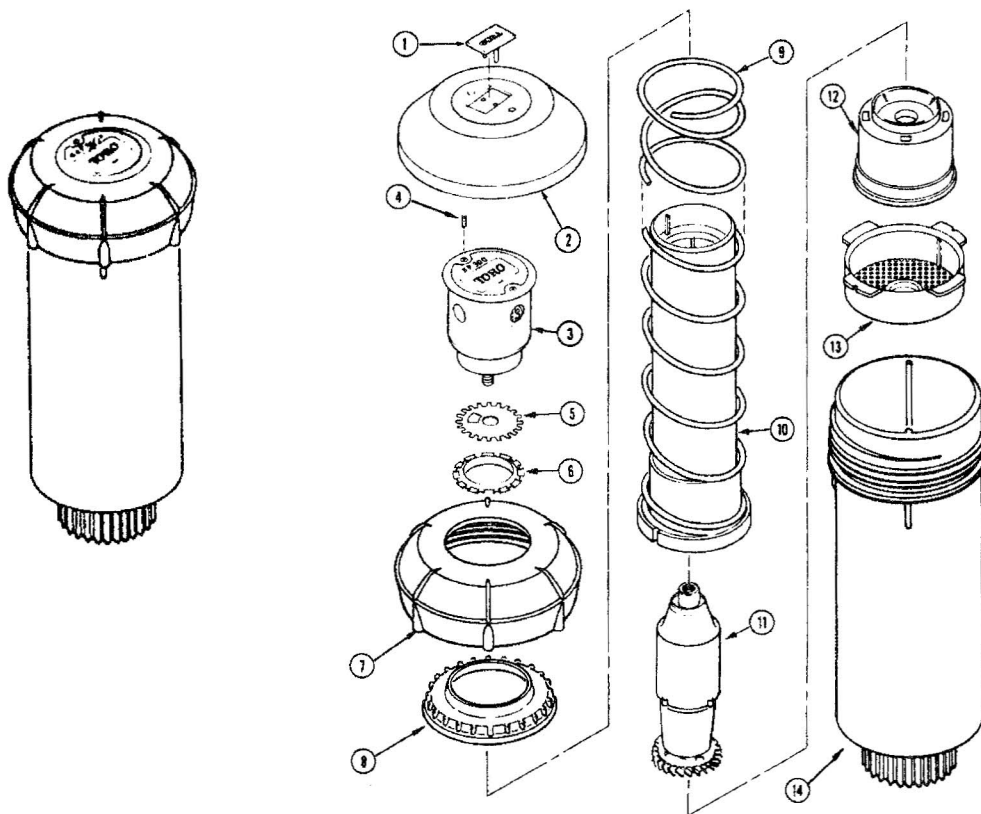
T
O
R
O

Item #	Description	Shrub	4" Pop-up	12" Pop-up
3	Nozzle/Arc Plate Seal	9-2825	9-2825	9-2825
4	Body Cap		9-4394	35-0481
5	Riser Seal		9-4449	9-4572
6	Retraction Spring		9-2137	35-7579
7	Riser	9-5210	9-2836	9-4570
8	Gear Drive Assembly	9-2829	9-2829	9-2829
9	Variable Stator Assembly	9-5183	9-5181	9-5683
10	Basket Screen	9-5212	9-2131	9-4571
11	Body, Pop-up models		9-1661	OBSOLETE
	Shrub Base	9-5536		
	Shrub Base Seal	9-5211		

Item #	Description	Part #
1	300 Series Nozzles	
	Small -01	9-2833
	Medium -02	9-2834
	Large -03	9-2835
	Low Gallonage -63	9-7050
2	Low Gallonage -93	9-7053
	Arc Plates	
	1/4 Circle	304-00
	112 degree	305-00
	135 degree	306-00
	157 degree	307-00
	1/2 circle	308-00
	202 degree	309-00
	225 degree	OBSOLETE
	3/4 circle	312-00
	Full circle	316-00

TORO

XP-300 Series Multiple Stream Gear Driven Sprinklers



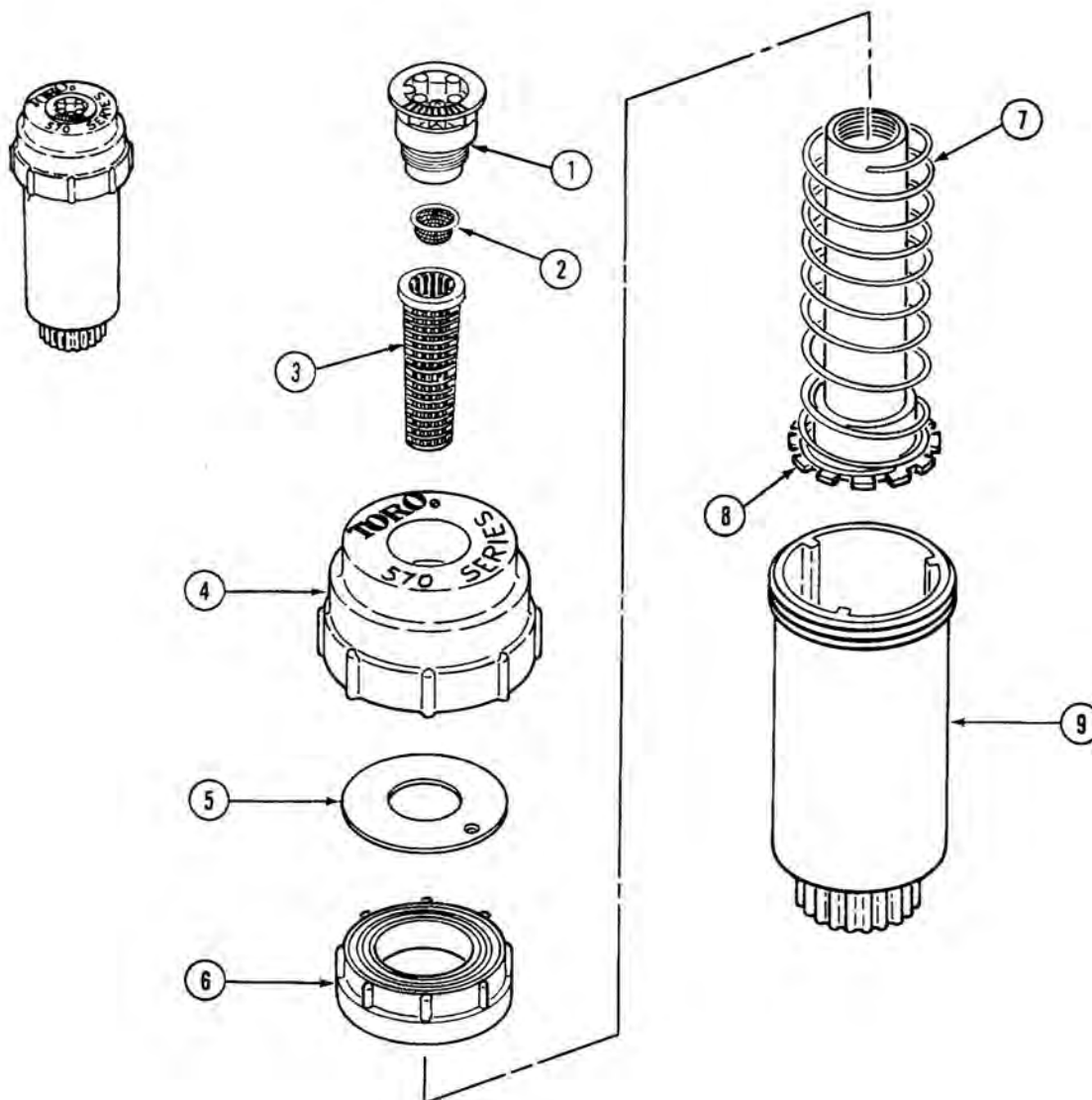
Item #	Description	Shrub	4" Pop-up	12" Pop-up
1	Retainer Plug (optional RC)		35-1776	35-1776
2	Rubber Cover (optional)		35-1565	35-1565
4	Set Screw	360-0223	360-0223	360-0223
6	Nozzle/Arc Plate Seal	35-2137	35-2137	35-2137
7	Body Cap		9-4394	35-4515
8	Riser Seal		9-4449	35-3630
9	Retraction Spring		9-2137	35-7579
10	Riser	35-2187	35-2138	35-2247
11	Gear Drive Assembly	35-4063	35-4063	35-4063
12	Variable Stator Assembly	35-2859	35-2858	35-3822
13	Basket Screen	9-5212	35-2136	9-4571
14	Body, Pop-up models		9-1661	OBSOLETE
	Shrub Base 1/2"	9-5536		
	Shrub Base Seal	9-5211		

Item #	Description	
5	Arc Plates	
	1/4 Circle	XP-304-00
	115 degree	XP-305-00
	140 degree	XP-306-00
	165 degree	XP-307-00
	1/2 circle	XP-308-00
	195 degree	XP-309-00
	210 degree	XP-310-00
	225 degree	XP-311-00
	3/4 circle	XP-313-00
	Full circle	XP-316-00

Item #	Description	
3	XP-300 Series Nozzles	
	5.0 GPM	N/A
	7.0 GPM	XP300-02
	9.0 GPM	XP300-03
	10.0 GPM	XP300-04

T
O
R
O

570P & 570HP Series Pop-up Spray Sprinklers (obsolete model)

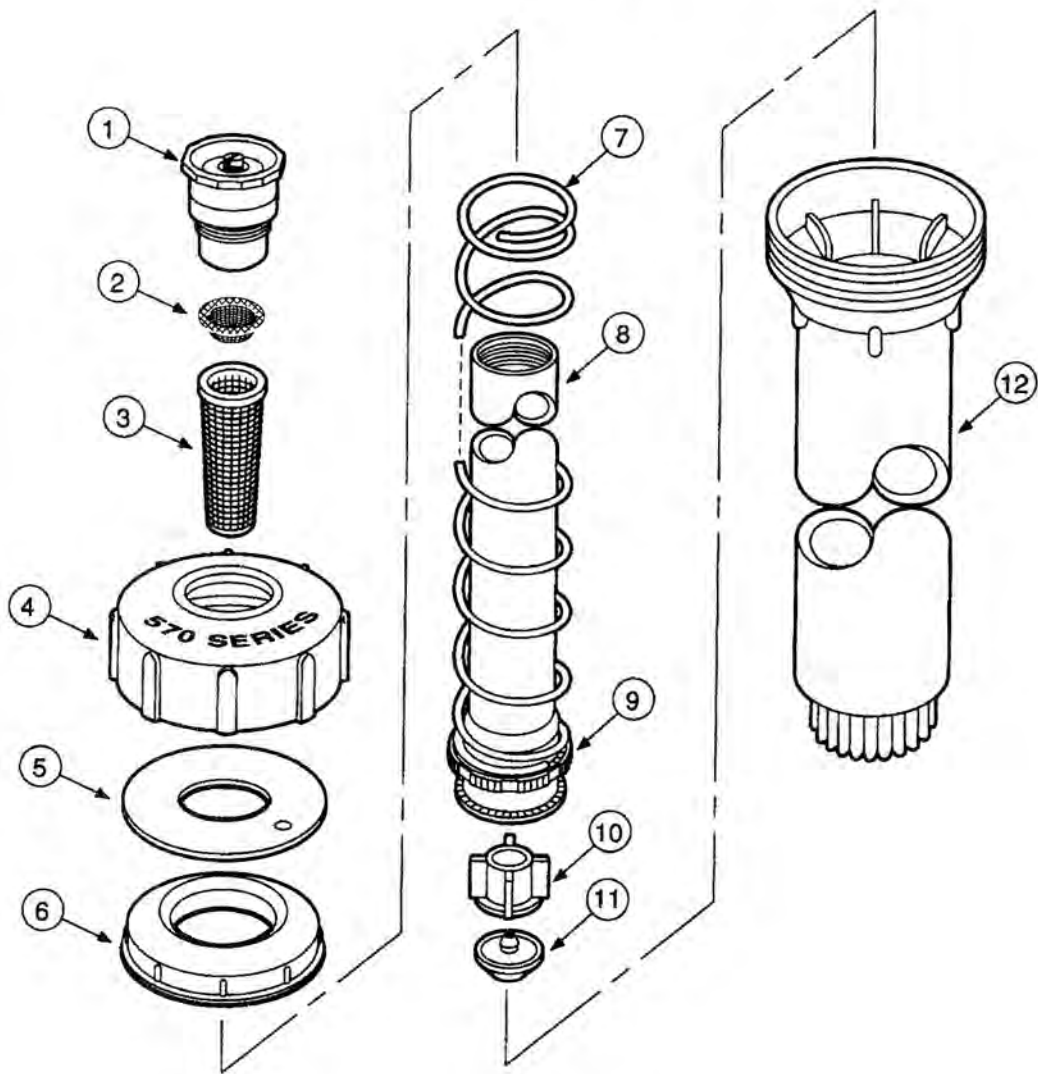


Item #	Description	3" Pop-up	12" Pop-up
1	Nozzle Assembly		
2	Screen, Metal	89-0946	89-0946
3	Screen, Plastic	9-5112	9-5112
4	Body Cap	9-5244	9-5244
5	Seal, Cap	35-0997	35-0997
6	Retainer, Seal	9-5260	9-5260
7	Spring, Return	9-5696	35-6872
8	Riser	9-5280	89-1080
9	Body	3-1001	9-7236
10	O-ring (12") not shown		363-1580

TORO

570C Series Pop-up Spray Sprinklers

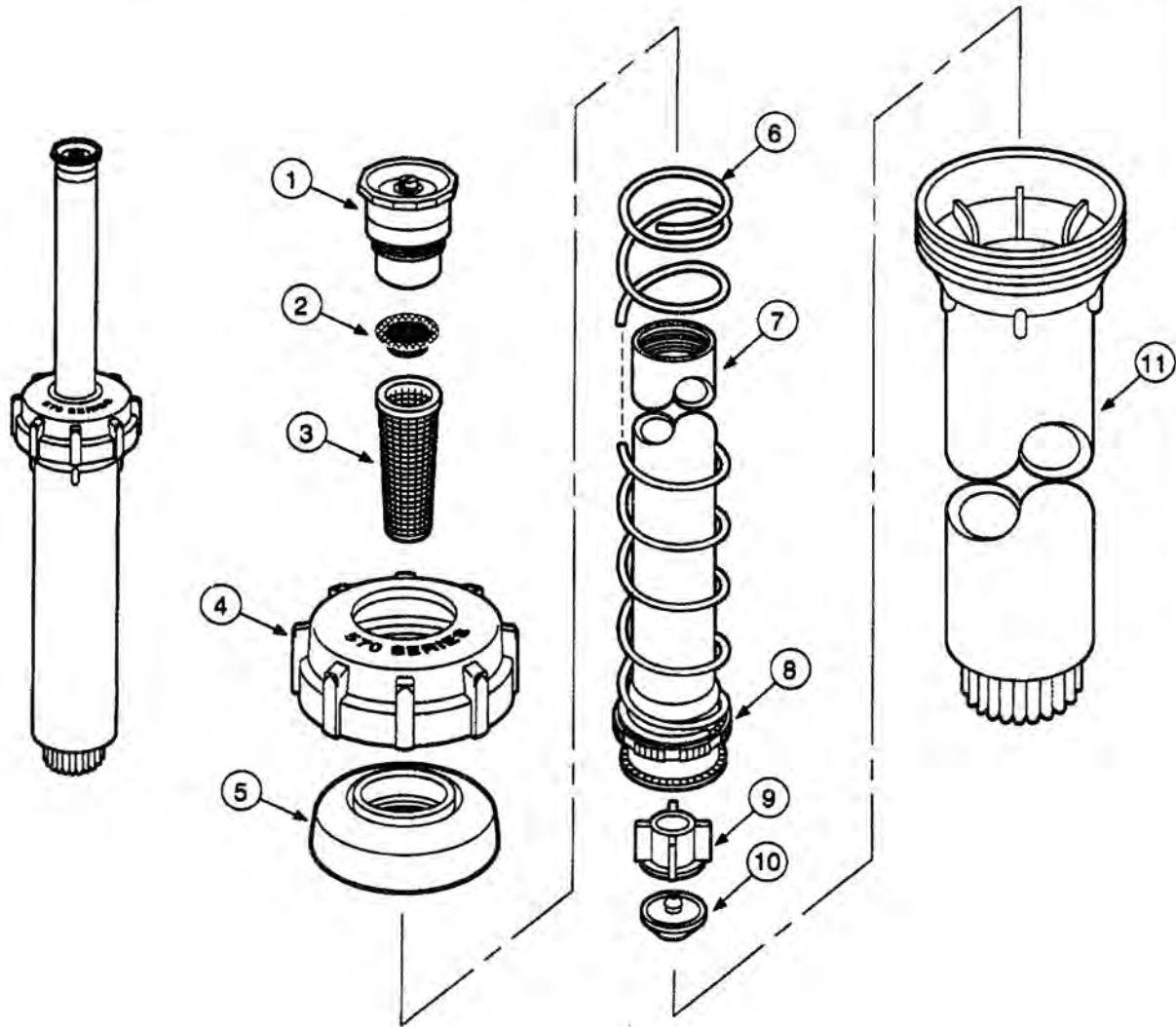
**T
O
R
O**



Item #	Description	3" Pop-up	4" Pop-up	6" Pop-up	12" Pop-up
1	Nozzle Assembly				
2	Screen, Metal	89-0946	89-0946	89-0946	89-0946
3	Screen, Plastic	9-5112	9-5112	9-5112	9-5112
4	Body Cap	35-3074	35-3074	35-3074	35-3074
5	Seal, Cap	35-3078	35-3078	35-3078	35-3078
6	Retainer, Seal	35-3076	35-3076	35-3076	35-3076
7	Spring, Return	35-4879	35-3077	35-4874	35-6872
8	Riser	89-0967	89-0969	89-0856	89-0957
9	Retainer, Spring	89-0463	89-0463	89-0463	89-0463
10, 11	Check Valve	89-5896	89-5896	89-5896	89-5896
12	Body	89-0966	89-0968	89-0970	
12	Body w/ side inlet			OBSOLETE	35-9322
	Side inlet plug (not shown)			363-3125	363-3125

570Z Series Pop-up Spray Sprinklers

TORO



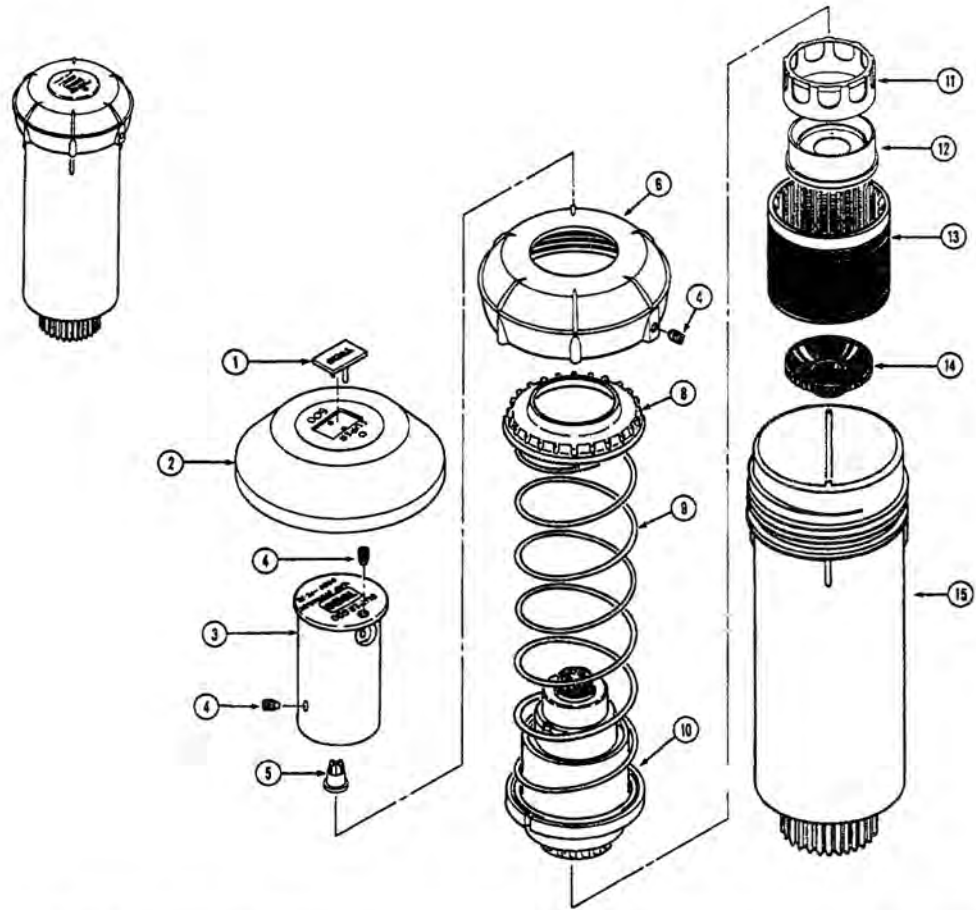
T
O
R
O

Item #	Description	2" Pop-up	3" Pop-up	4" Pop-up	6" Pop-up	12" Pop-up
1	Nozzle Assembly					
2	Screen, Metal	89-0946	89-0946	89-0946	89-0946	89-0946
3	Screen, Plastic	9-5112	9-5112	9-5112	9-5112	9-5112
4	Body Cap	89-3747	89-3747	89-3747	89-3747	OBSOLETE
5	Seal, Cap	89-3746	89-3746	89-3746	89-3746	89-3746
6	Spring, Return	89-5640	35-4879	35-3077	35-4874	35-6872
7	Riser	89-5642	89-0967	89-0969	89-0856	89-0957
8	Retainer, Spring	89-0463	89-0463	89-0463	89-0463	89-0463
9, 10	Check Valve	89-5896	89-5896	89-5896	89-5896	89-5896
11	Body	89-5641	89-0966	89-0968	89-0970	
	Body w/ side inlet				OBSOLETE	35-9322
12	Side inlet plug (not shown)				363-3125	363-3125

TORO

Super 600 Series Gear Driven Sprinklers

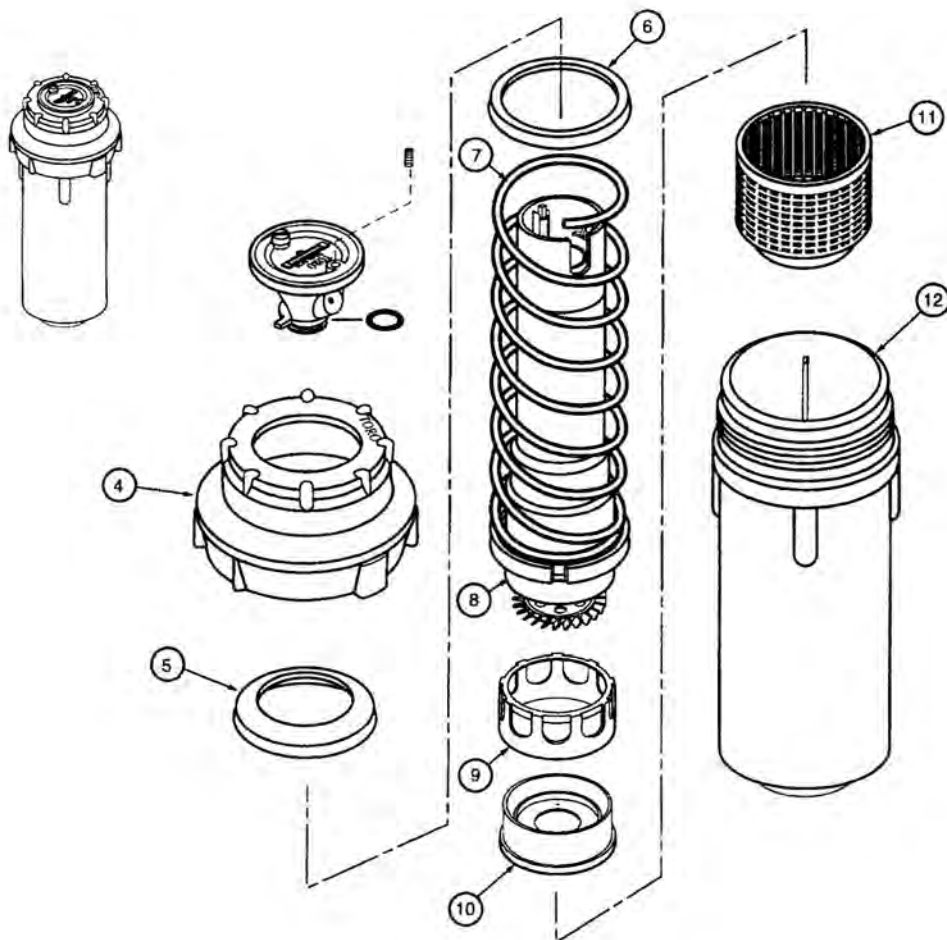
**T
O
R
O**



Item #	Description	Shrub	Lawn Pop-up
1	Retainer Plug (optional RC)		35-1776
2	Rubber Cover (optional)		35-1565
3	Nozzle Assembly 1.3 PC	35-1213	35-1213
	Nozzle Assembly 2.5 PC	35-1215	35-1215
	Nozzle Assembly 5.0 PC	35-1217	35-1217
	Nozzle Assembly 1.3 FC	35-1219	35-1219
	Nozzle Assembly 2.5 FC	35-1221	35-1221
	Nozzle Assembly 5.0 FC	35-1223	35-1223
4	Set Screw	360-0223	360-0223
5	Nozzle Seal (included with #3)		
6	Body Cap		9-4394
8	Riser Seal		9-4395
9	Retraction Spring		9-1995
10	Gear Drive Assembly, Part Circle	OBSOLETE	35-2613
10	Gear Drive Assembly, Full Circle	35-2628	35-2614
11 & 12	Variable Stator Assembly	35-6323	35-6323
13	Basket Screen		9-1691
14	Check Valve		35-2245
15	Body, Pop-up models		9-1661
	Shrub Base 3/4"	9-6897	
	Shrub Base Seal	9-5211	

Super 700 Series Gear Driven Sprinklers—Commercial

TORO



T
O
R
O

Item #	Description	Shrub	Lawn Pop-up	Com. Pop-up	12" Pop-up
4	Body Cap		35-8962	35-8963	89-0111
5	Riser Seal		35-3145	35-8964	35-3145
6	Seal Support Sleeve		89-0995	89-0995	89-0995
7	Retraction Spring		35-4508	89-0122	35-5196
8	Gear Drive Assembly, Part Circle	35-8913	35-8913	35-8931	35-8916
8	Gear Drive Assembly, Full Circle	35-8912	35-8912	35-8932	35-8918
9 & 10	Variable Stator Assembly	35-6323	35-6323	35-6323	35-6323
11	Basket Screen	89-1161	9-1691	9-1691	9-1691
	Check Valve (Not Shown)		89-0266	89-0266	
12	Body, Pop-up models		9-1661	9-1661	OBSOLETE
	Shrub Base 3/4"	OBSOLETE			
	Shrub Base Seal	9-5211			

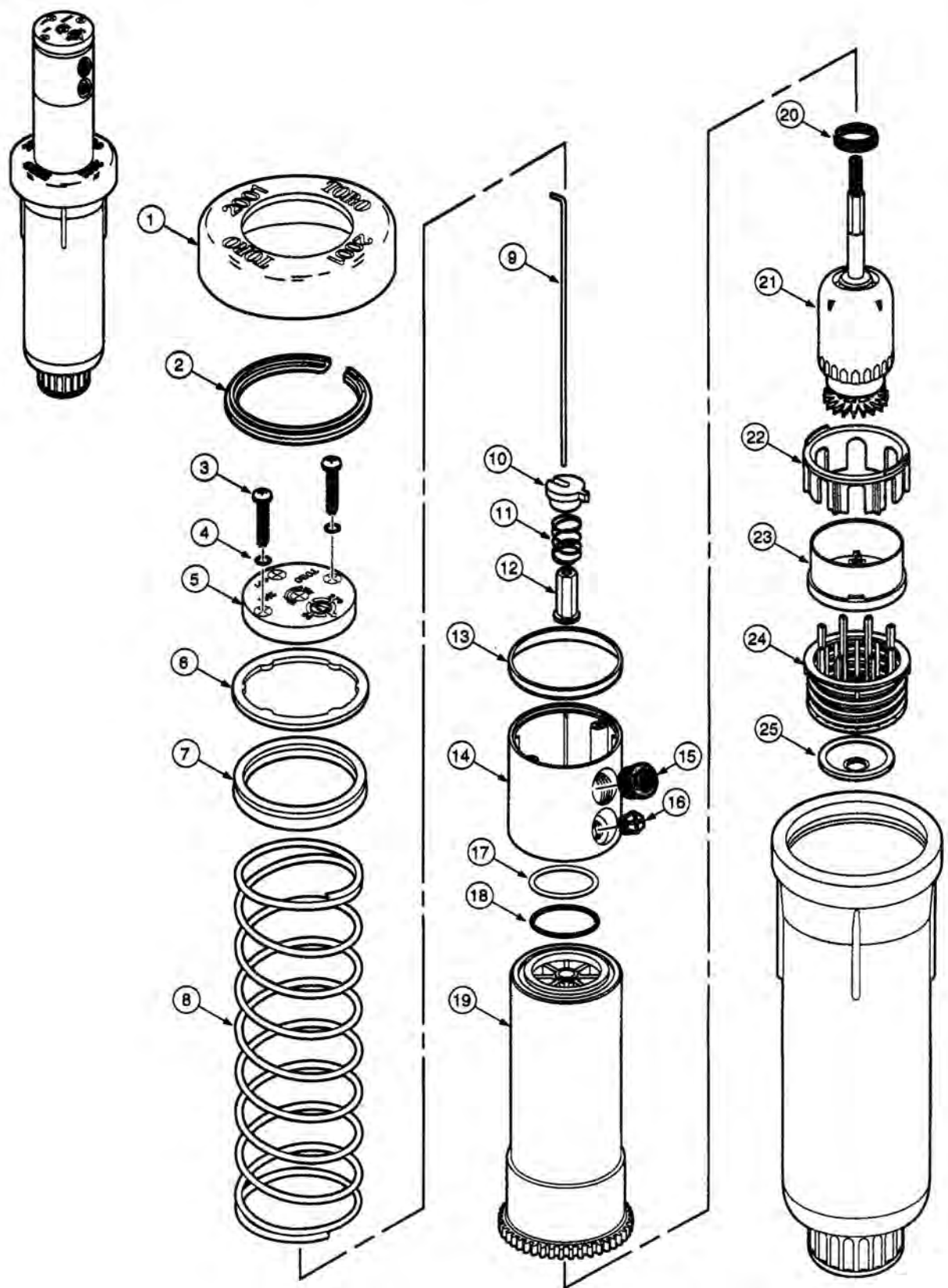
TORO

2001 Series Commercial Gear Driven Sprinklers

**T
O
R
O**

Item #	Description	Plastic Riser	Stainless Riser
1	Rubber Cover	89-3883	89-3883
2	Snap Ring	89-3885	89-3885
3	Screw	363-1493	OBSOLETE
4	O-ring	RCO110033	RCO110033
5	Nozzle Top Assembly	3-3755	89-3944
6	Seal Support Ring	89-3943	89-3943
7	Riser Seal	OBSOLETE	OBSOLETE
8	Spring	89-3927	89-3927
9	Shaft (PC Pin)	89-3869	89-3869
10	Arm, Clutch (PC Models)	89-4890	89-4890
11	Spring, Clutch	89-5887	89-5887
12	Nozzle Base Nut	89-3928	89-3928
13	Nozzle Base Collar	89-4887	89-4887
14	Nozzle Base	89-3872	89-5990
15	Main Nozzle, 6.0 GPM Yellow	89-4765	89-4765
	Main Nozzle, 9.0 GPM Orange	89-4766	89-4766
	Main Nozzle, 12.0 GPM Brown	89-4767	89-4767
	Main Nozzle, 18.0 GPM Blue	89-4768	89-4768
	Main Nozzle, 24.0 GPM Green	89-4769	89-4769
16	Lower Nozzle, Small, White	OBSOLETE	OBSOLETE
	Lower Nozzle, Large, Red	OBSOLETE	OBSOLETE
17	Nozzle Bearing Washer	363-3399	363-3399
18	O-ring	363-3198	363-3198
20	Brake	89-5904	89-5904
19 & 21	Gear Drive Assembly	89-8036	89-8036
22	Stator Holder	89-7374	89-7374
23 & 24	COM Assembly	89-3935	89-3935
25	Check Valve	35-2245	35-2245

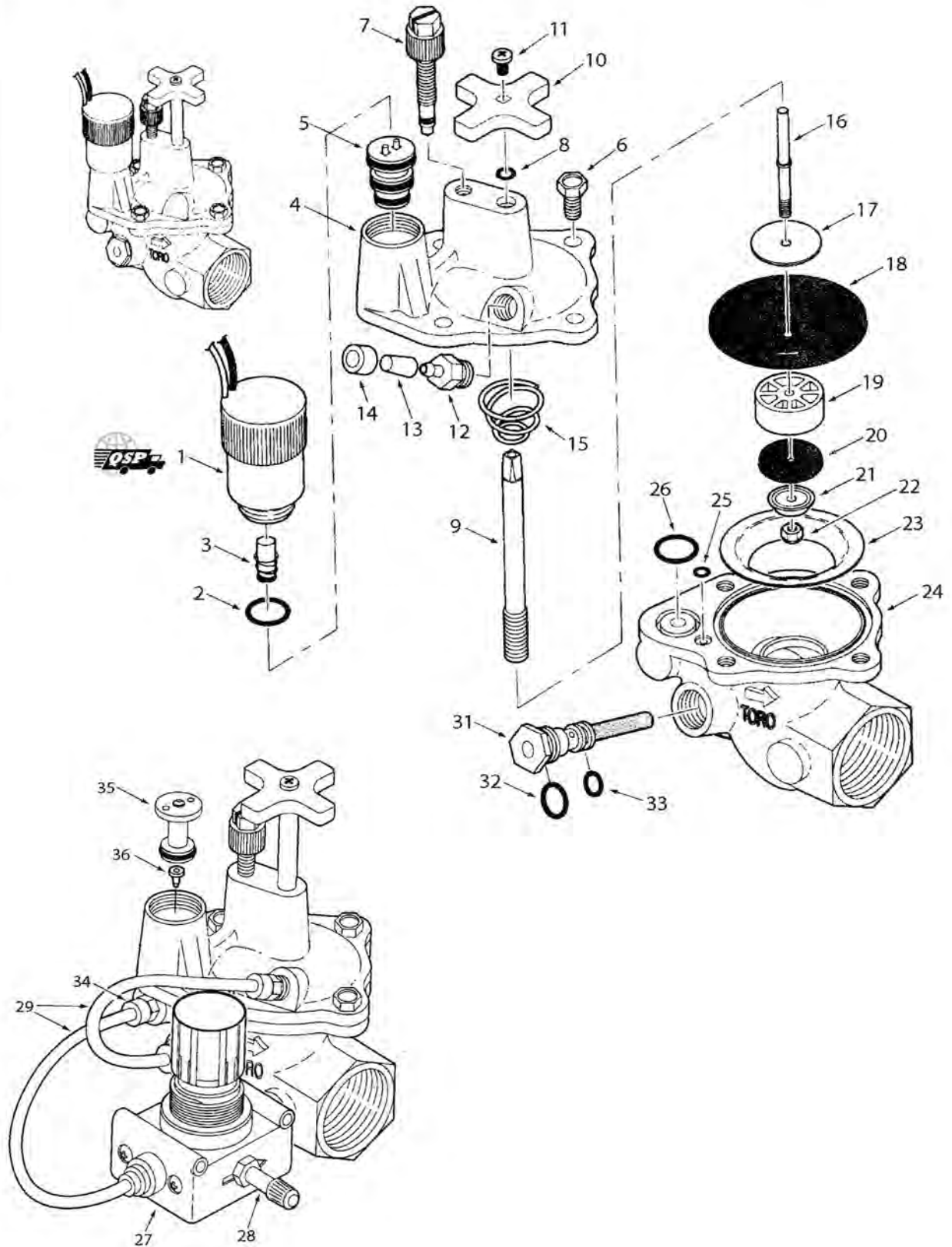
2001 Series Commercial Gear Driven Sprinklers



TORO

216 Series 1" Brass Electric Valves

**T
O
R
O**



216 Series

1" Brass Electric Valves

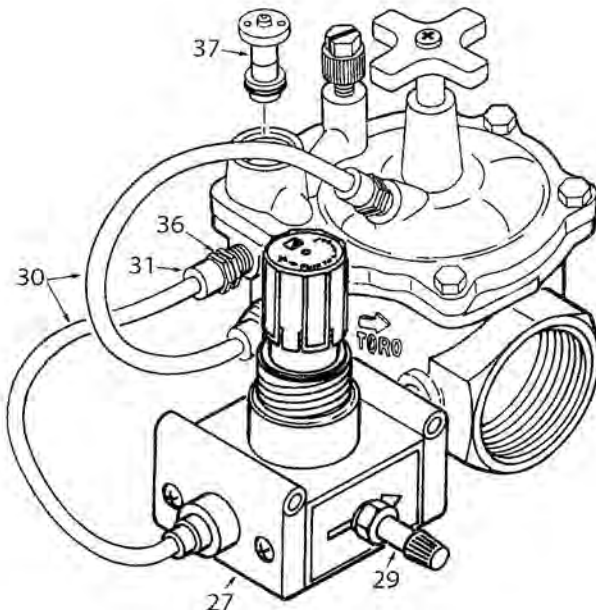
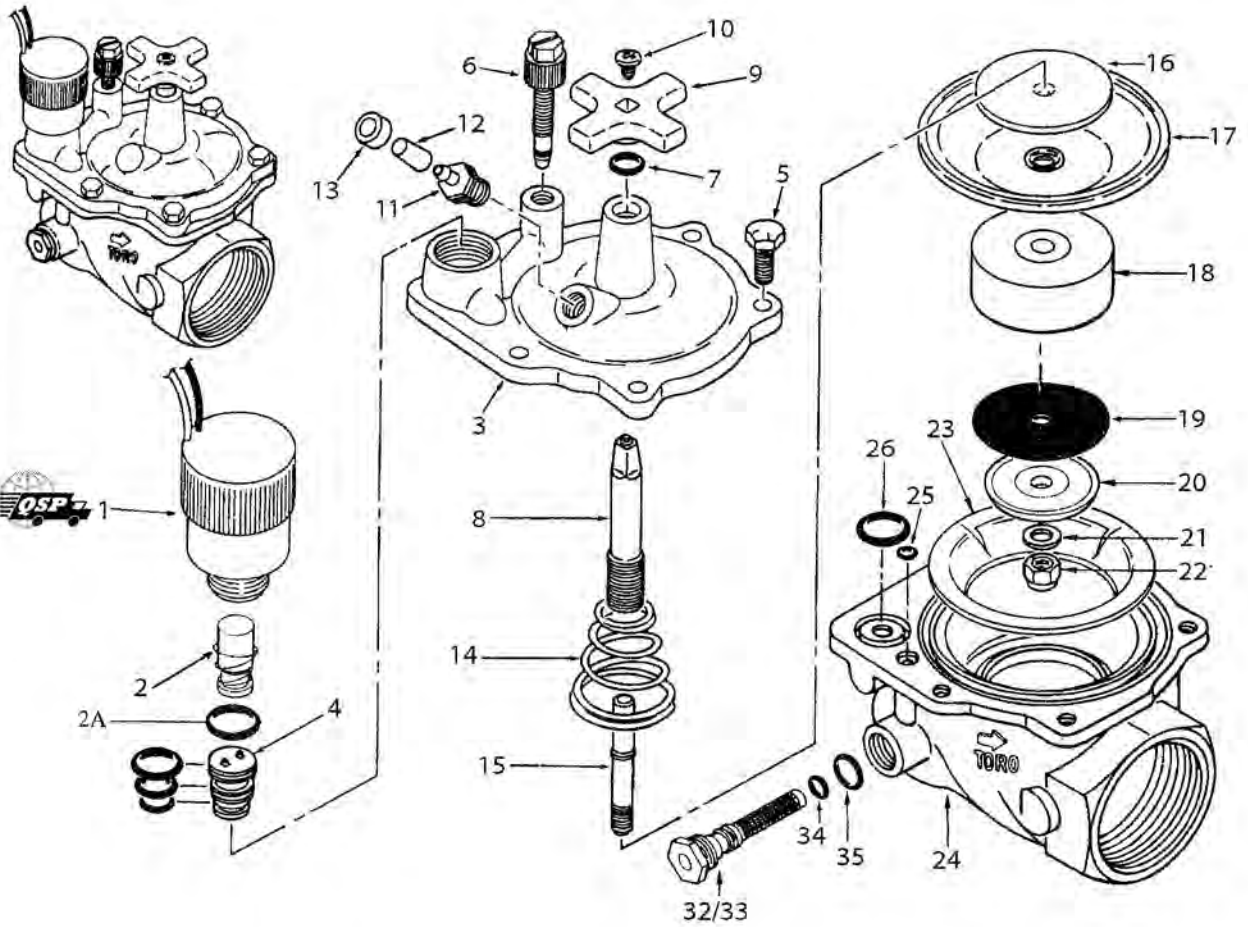


Item #	Description	Part #
Solenoid Assemblies		
1	Solenoid (Complete) R Co.	SOL3
1	Solenoid (Complete) (PR)	353099
2	Solenoid O-Ring	RCO110005
3	Solenoid Plunger w/ Spring (Electric)	RCO400011
3	Solenoid Plunger w/Spring (PR)	OBSOLETE
Valve Bonnet Assembly		
4	Valve Bonnet (Electric)	895824
4	Valve Bonnet (Hydraulic)	895823
4	Valve Bonnet (Pressure Regulating)	895825
5	Acuator Assembly	893407
6	Valve Bonnet Bolts	3600595
7	Manual Bleed	OBSOLETE
8	Valve Stem O-Ring	RCO110002
9	Valve Stem	896507
10	Cross Handle	94527
11	Handle Screw	3600498
12	Poly Connector (Hydraulic)	90024
13	Poly Cap (Hydraulic)	OBSOLETE
14	Retainer Tube (Hydraulic)	90040
Diaphragm Assemblies		
15	Diaphragm Spring	95146
16-22	Diaphragm Assembly (Electric)	95359
16-22	Diaphragm Assembly (Hydraulic N)	95359
16-22	Diaphragm Assembly (PR & CR)	95359
16	Diaphragm Shaft	95552
17	Upper Diaphragm Support Plate	94562
18	Diaphragm Only	94567
19	Diaphragm Spacer	352651
20	Seat Disc	352857
21	Seat Disc Retainer	357214
22	Seat Disc Nut	3600593
23	Diaphragm Support	352639
Valve Body Assemblies		
24	Valve Body (NPT)	N/A
25	O-Ring	RCO110033
26	O-Ring	RCO110006
Pressure Regulator (PR)		
27	Regulator	OBSOLETE
	Regulator Nipple (Not Shown)	3633154
28	Schrader Valve	3631762
29	Hydraulic Tube 1/4" x 8"	92623
30	Tube Retainer (Not Shown)	90040
31	Filter Assembly (Electric)	95365
31	Filter Assembly (PR)	354619
32	O-Ring	3600494
33	O-Ring	RCO110001
34	Poly Adapter (PR)	90024
35	Two Way Plug Assembly (PR)	355680
36	Communication Plug (PR)	356363



TORO

216 Series 1 1/4" & 1 1/2" Brass Electric Valves



T
O
R
O

216 Series

1 1/4" & 1 1/2" Brass Electric Valves



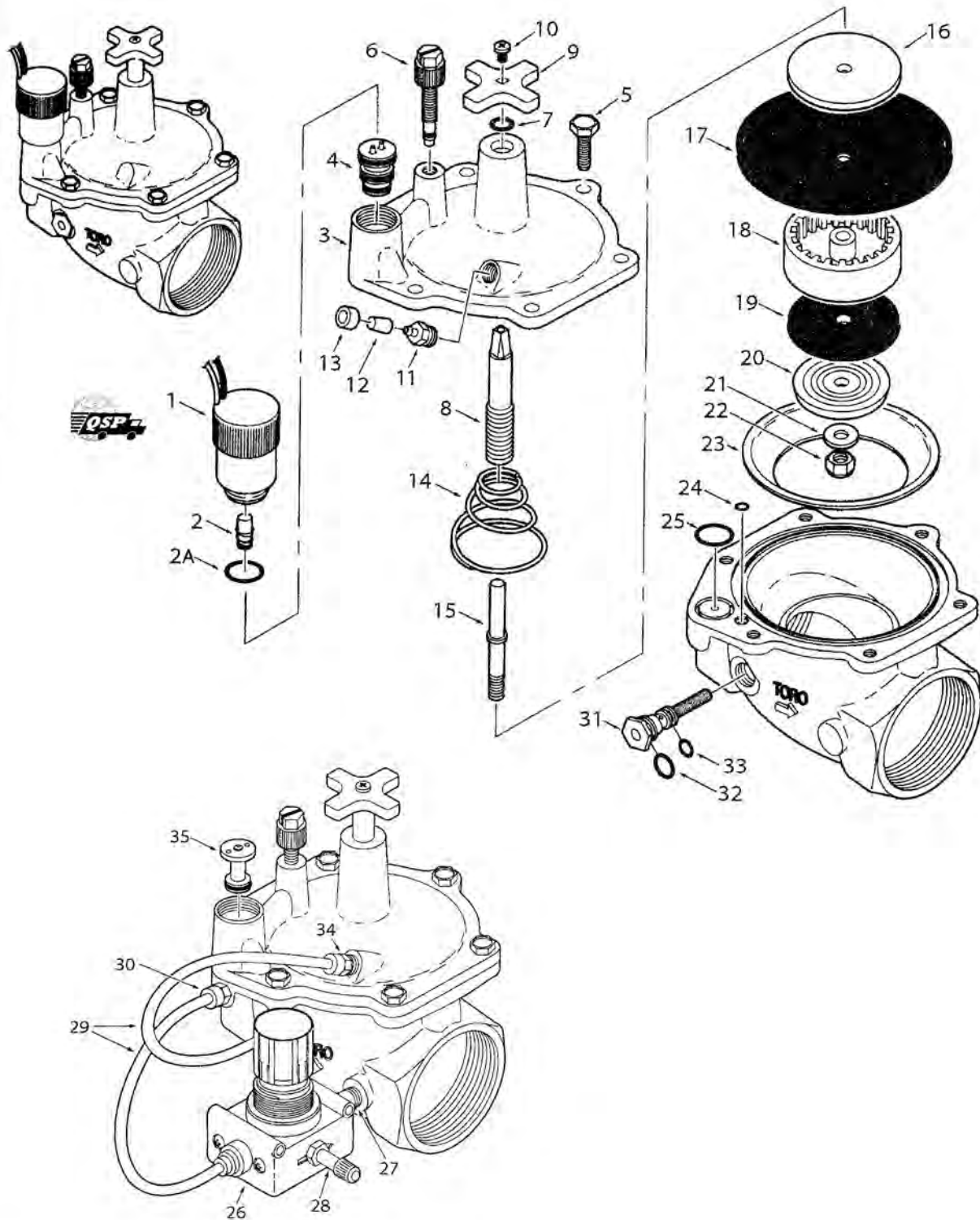
Item #	Description	1 1/4"	1 1/2"
Solenoid Assemblies			
1	Solenoid (Complete)	SOL3	SOL3
1	Solenoid (Complete) (PR)	353099	353099
2	Solenoid Plunger w/Spring (PR)	RCO400013	RCO400013
2A	Solenoid O-Ring	RCO110005	RCO110005
Valve Bonnet Assembly			
3	Valve Bonnet (Electric)	896381	896381
3	Valve Bonnet (Hydraulic)	896383	896383
3	Valve Bonnet (PR)	896382	896382
4	Actuator Assembly (w/O-Rings)	893407	893407
5	Valve Bonnet Bolts	3600499	3600499
6	Manual Bleed	OBSOLETE	OBSOLETE
7	Valve Stem O-Ring	3600493	3600493
8	Valve Stem	94424	94424
9	Cross Handle	94527	94527
10	Handle Screw	3600498	3600498
11	Poly Connector (Hydraulic)	90024	90024
12	Poly Cap (Hydraulic)	OBSOLETE	OBSOLETE
13	Retainer Tube (Hydraulic)	90040	90040
Diaphragm Assemblies			
14	Diaphragm Spring	94425	94425
	Diaphragm Assembly (Electric)	95361	95361
	Diaphragm Assembly (Hydraulic N)	95361	95361
	Diaphragm Assembly (PR & CR)	95361	95361
15	Diaphragm Shaft	95551	95551
16	Upper Diaphragm Support Plate	95590	95590
17	Diaphragm Only	94428	94428
18	Diaphragm Spacer	352453	352453
19	Seat Disc	94420	94420
20	Seat Disc Retainer	94419	94419
21	Seat Disc Washer	3600140	3600140
22	Seat Disc Nut	3600594	3600594
23	Diaphragm Support	352452	352452
Valve Body Assemblies			
24	Valve Body (NPT)	N/A	N/A
25	O-Ring	RCO110033	RCO110033
26	O-Ring	RCO110006	RCO110006
Pressure Regulator (PR)			
27	Regulator	OBSOLETE	OBSOLETE
28	Regulator Nipple (Not Shown)	3633154	3633154
29	Schrader Valve	3631762	3631762
30	Hydraulic Tube 1/4" x 8"	92623	92623
31	Tube Retainer	90040	90040
32	Filter Assembly (Electric)	95365	95365
33	Filter Assembly (PR)	354619	354619
34	O-Ring	3600494	3600494
35	O-Ring	RCO110001	RCO110001
36	Poly Adapter (PR)	90024	90024
37	Two Way Plug Assembly (PR)	355680	355680
38	Communication Plug (PR) (Not Shown)	356363	356363

T
O
R
O

TORO

216 Series 2" Brass Electric Valves

T
O
R
O



216 Series

2" Brass Electric Valves



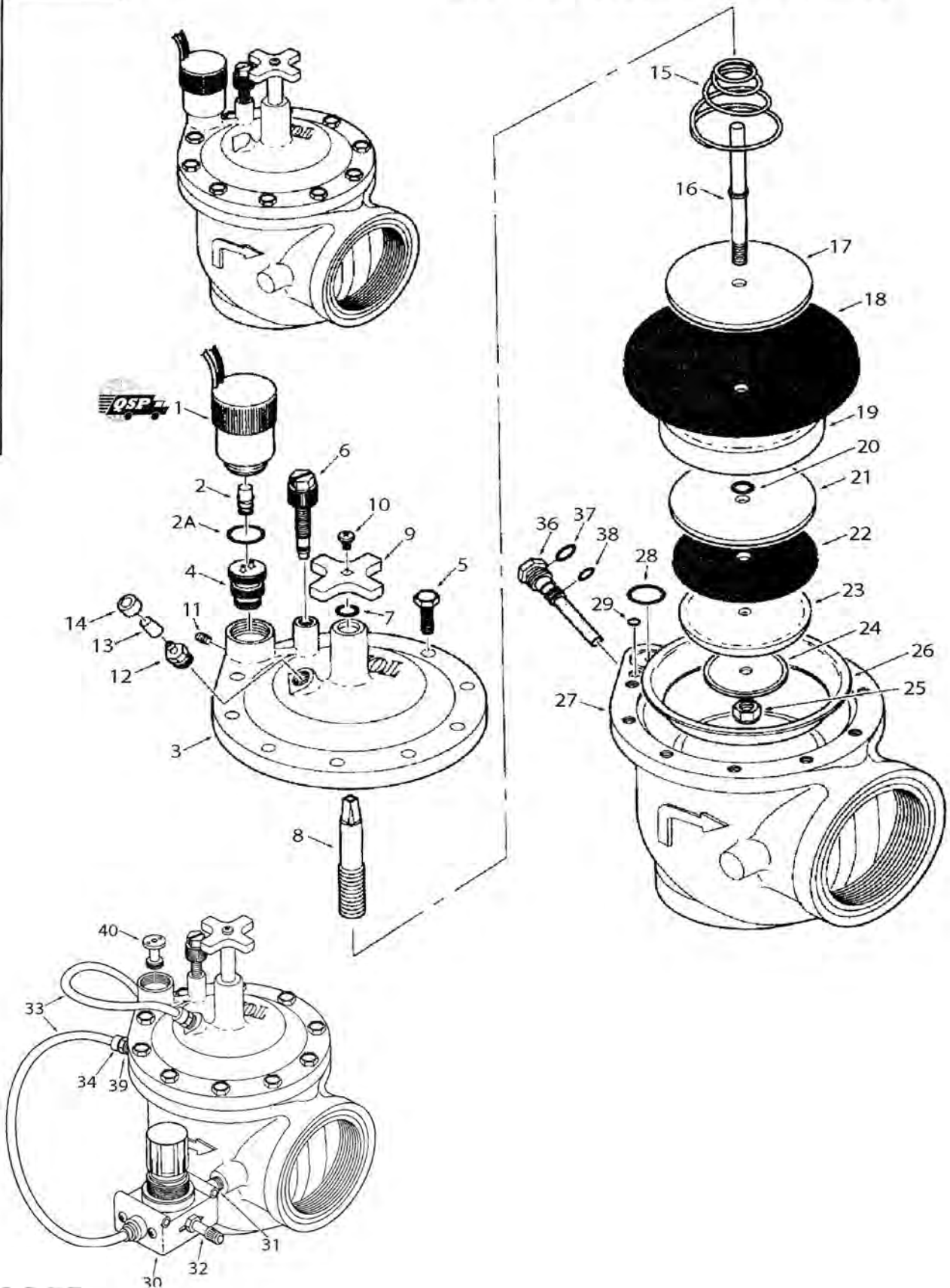
Item #	Description	2"
Solenoid Assemblies		
1	Solenoid (Complete) R Co.	SOL3
1	Solenoid (Complete) (PR) Toro	353099
2	Solenoid Plunger w/Spring (PR)	RCO400013
2A	Solenoid O-Ring	RCO110005
Valve Bonnet Assembly		
3	Valve Bonnet (Electric)	896384
3	Valve Bonnet (Hydraulic)	896386
3	Valve Bonnet (PR)	896385
4	Actuator Assembly (w/O-Ring)	893407
5	Valve Bonnet Bolts	3600499
6	Manual Bleed	OBSOLETE
7	Valve Stem O-Ring	3600493
8	Valve Stem	94543
9	Cross Handle	94527
10	Handle Screw	3600498
11	Poly Connector (Hydraulic)	90024
12	Poly Cap (Hydraulic)	OBSOLETE
13	Retainer Tube (Hydraulic)	90040
Diaphragm Assemblies		
14	Diaphragm Spring	891652
15-22	Diaphragm Assembly (Electric)	95363
15-22	Diaphragm Assembly (Hydraulic N.O.)	95363
15-22	Diaphragm Assembly (PR & CR)	95363
15	Diaphragm Shaft	97534
16	Upper Diaphragm Support Plate	353139
17	Diaphragm Only	94542
18	Diaphragm Spacer	353141
19	Seat Disc	353142
20	Seat Disc Retainer	94536
21	Seat Disc Washer	3600140
22	Seat Disc Nut	3600594
23	Diaphragm Support	94541
Valve Body Assemblies		
Valve Body (NPT)		
24	O-Ring	RCO110033
25	O-Ring	RCO110006
Pressure Regulator (PR)		
26	Regulator	OBSOLETE
27	Regulator Nipple	3633154
28	Schrader Valve	3631762
29	Hydraulic Tube 1/4" x 8"	92623
30	Tube Retainer	90040
31	Filter Assembly (Electric)	95365
31	Filter Assembly (PR)	354619
32	O-Ring	3600494
33	O-Ring	RCO110001
34	Poly Adapter (PR)	90024
35	Two Way Plug Assembly (PR)	355680
36	Communication Plug (PR) (Not Shown)	356363

T
O
R
O

TORO

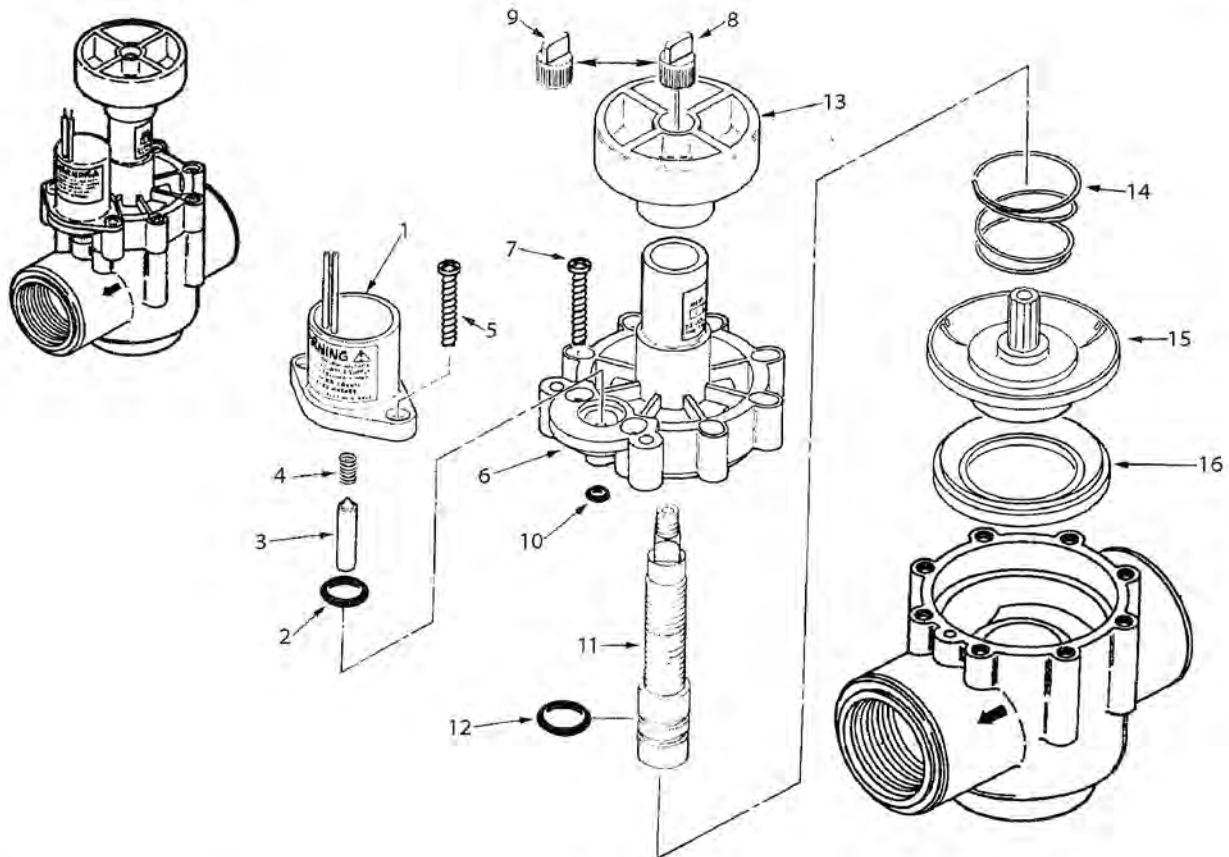
216 Series 2 1/2" & 3" Brass Electric Valves

**T
O
R
O**



252 Series 1" Plastic Electric Valves

TORO

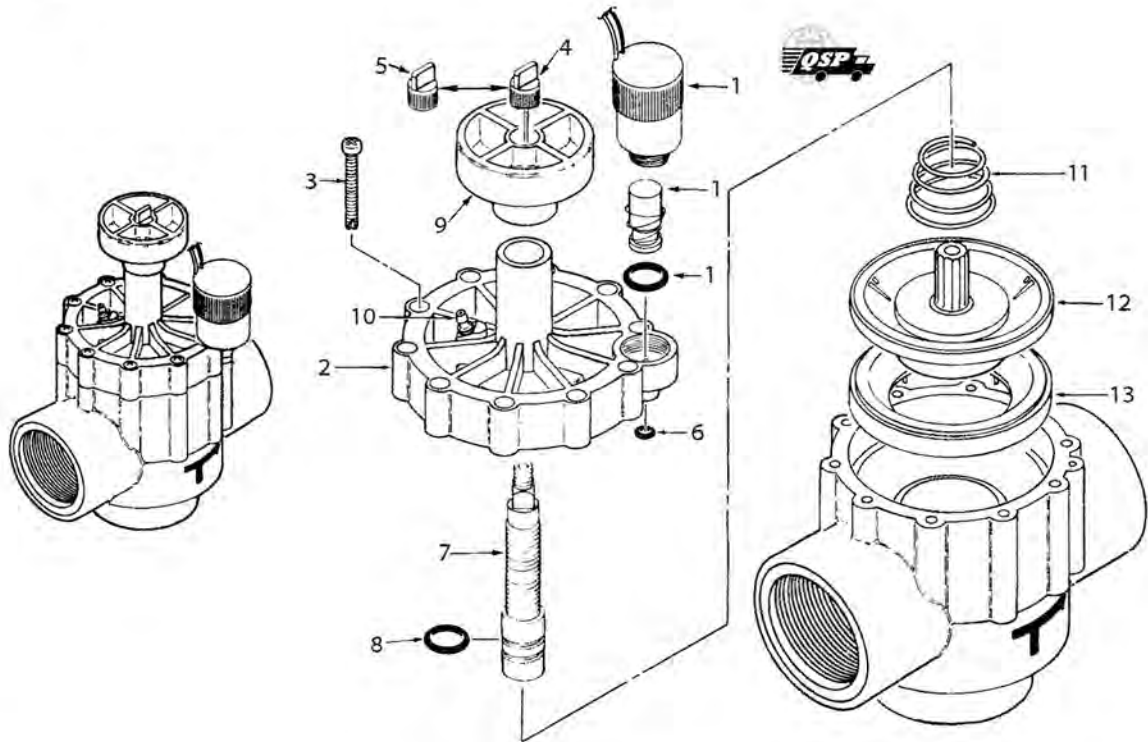


**T
O
R
O**

Item #	Description	1"
Solenoid Assemblies		
1, 3, 4	Solenoid (Complete)	890878
2	Solenoid O-Ring	RCO110011
3	Solenoid Plunger	96527
4	Solenoid Plunger Spring	96148
5	Solenoid Screw (2 ea.)	OBSOLETE
Valve Bonnet Assembly		
6	Valve Bonnet (Electric)	98182
7	Valve Bonnet Screws (6 ea.)	360-0203
8	Manual Bleed w/Pin (Electric)	354521
9	Manual Bleed (Hydraulic)	351748
10	O-Ring	RCO110000
11	Valve Stem	351983
12	Stem O-Ring	RCO110006
13	Flow Control Handle	353777
Diaphragm Assemblies		
14	Diaphragm Spring	97110
15	Diaphragm Assembly (Electric)	352824
16	Diaphragm Support	96331

TORO

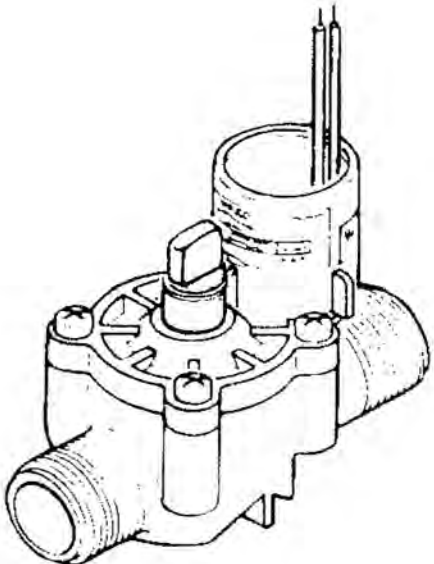
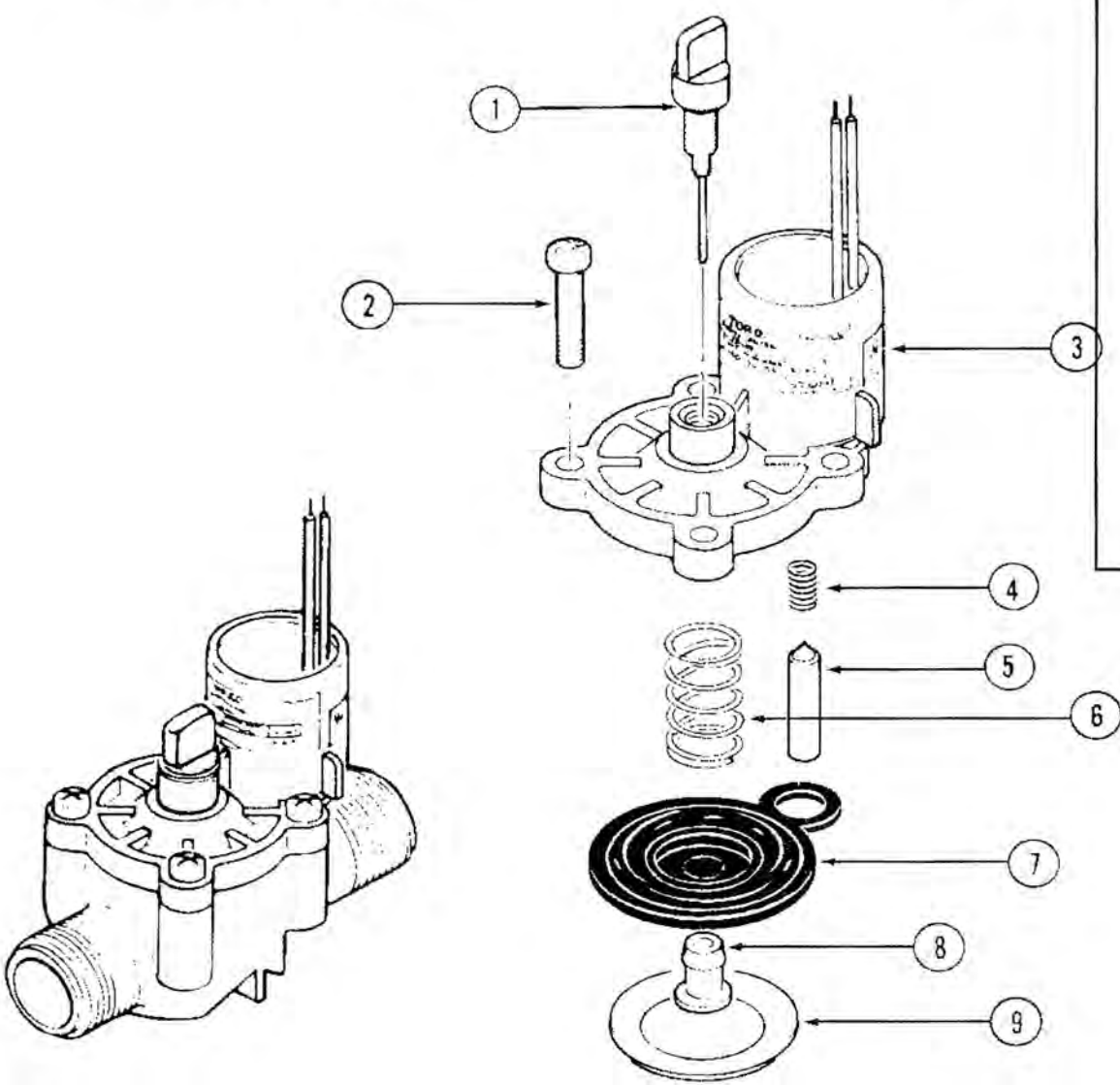
252 Series 1 1/2" - 2" Plastic Electric Valves



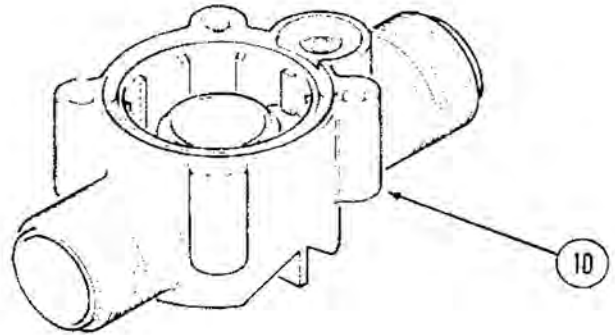
Item #	Description	1 1/2"	2"
Solenoid Assemblies			
1	Solenoid (Complete)	SOL4	SOL4
Valve Bonnet Assembly			
2	Valve Bonnet (Electric)	350595	350596
2	Valve Bonnet (Hydraulic)	350769	350768
2	Valve Bonnet (Pressure Regulator)	354935	354940
2	Valve Bonnet	354935	894806
3	Valve Bonnet Screw	360-0203	363-1399
4	Manual Bleed w/Pin (Electric)	354521	353892
5	Manual Bleed (Hydraulic)	351748	351748
5	Manual Bleed (Effluent)	89-7855	N/A
6	O-Ring	RCO110000	RCO110000
7	Valve Stem	351983	351983
8	O-Ring	RCO110006	RCO110006
9	Flow Control Handle	353777	353777
10	Poly Connector (Hydraulic)	96791	96791
Diaphragm Assemblies			
11	Diaphragm Spring	94425	96940
11	Diaphragm Spring (Hydraulic Only)	N/A	94425
12	Diaphragm Assembly (Electric)	890817	89-0815
12	Diaphragm Assembly (Hydraulic N.O.)	890818	890816
12	Diaphragm Assembly (PR & CR)	890818	890816
12	Diaphragm Assembly (Hydraulic PT)	890819	890816
13	Diaphragm Support	896110	96504
Pressure Regulator (not shown)			
	Regulator	OBSELETE	OBSELETE
	Regulator Bracket	353444	353444
	Schrader Valve	3631762	363-1762
	Regulator Nut	363-1894	363-1894
	Hydraulic Tube 1/4" x 8"	92623	92623
	Hydraulic Tube 1/4" x 12"	91876	91876
	Tube Retainer	90040	90040
	Filter Assembly	354619	354931
	O-Ring	360-0494	360-0494

T
O
R
O

264 Series 3/4" Plastic Globe Valves

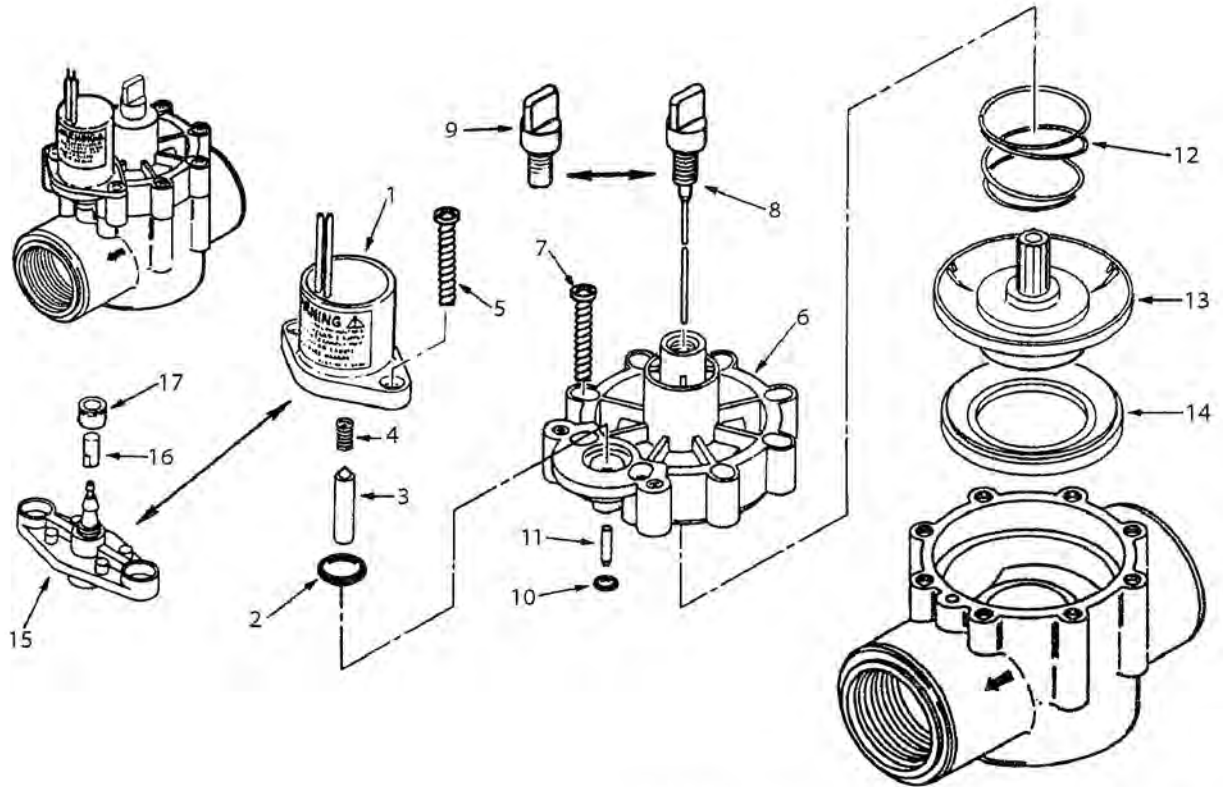


Item #	Description	3/4"
Solenoid Assemblies		
3	Solenoid w/Bonnet	97413
5	Solenoid Plunger	96527
4	Solenoid Plunger Spring	96148
Valve Bonnet Assembly		
2	Valve Bonnet Bolts	OBSOLETE
1	Manual Bleed w/Pin (Electric)	354889
Diaphragm Assemblies		
6	Diaphragm Spring	97619
7 & 8	Diaphragm Assembly	358941
9	Diaphragm Support	97835
Valve Body Assemblies		
10	Valve Body (NPT)	N/A



TORO

260 Series 1" Plastic Electric Valves

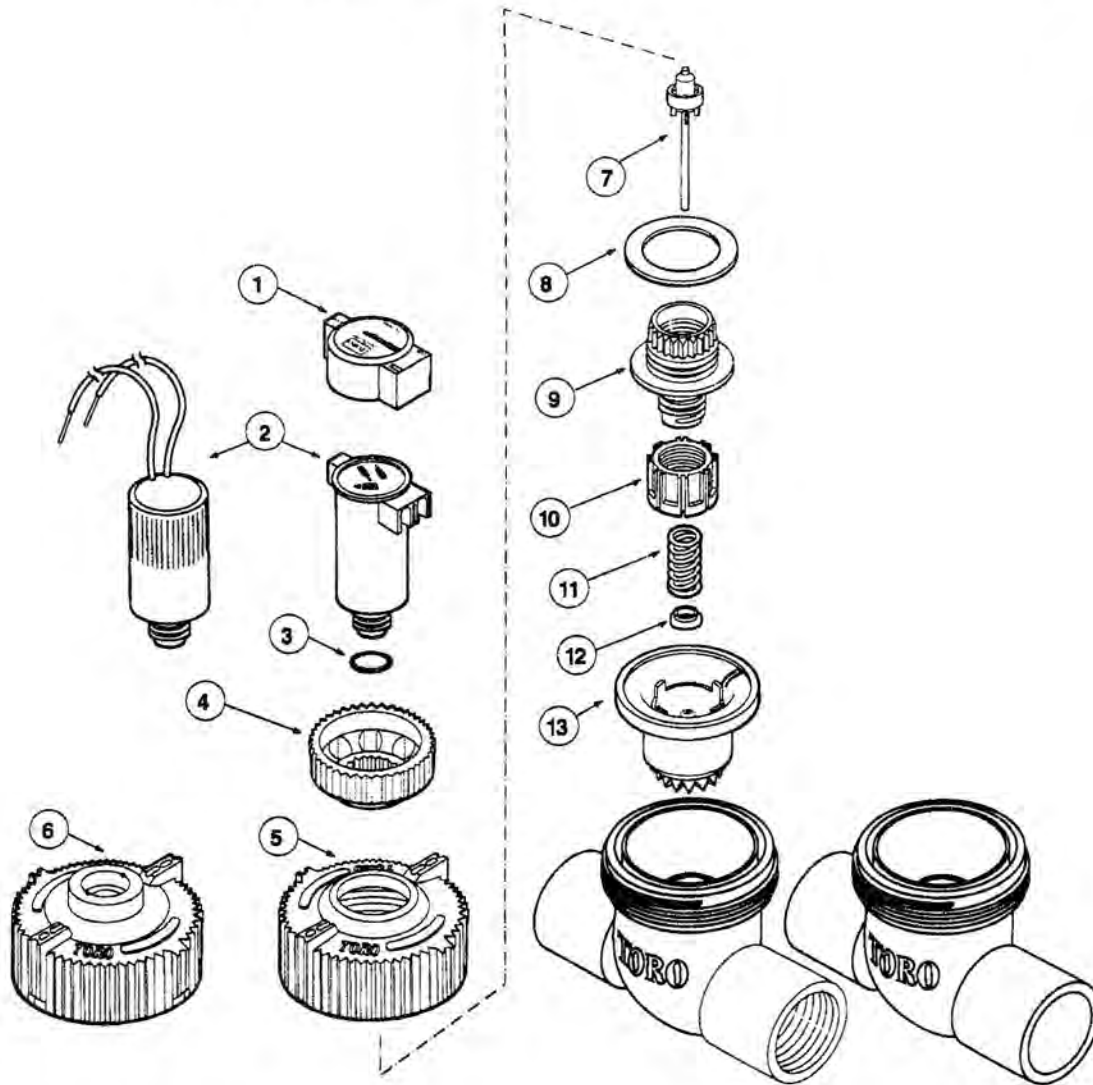


Item #	Description	1"
Solenoid Assemblies		
1	Solenoid (Complete)	890878
2	Solenoid O-Ring	RCO110011
3	Solenoid Plunger	96527
4	Solenoid Plunger Spring	96148
5	Solenoid Screw (2 ea.)	3631493
Valve Bonnet Assembly		
6	Valve Bonnet (Electric)	98313
6	Valve Bonnet (Hydraulic)	97291
7	Valve Bonnet Screw	OBSOLETE
8	Manual Bleed w/Pin (Electric)	352941
9	Manual Bleed (Hydraulic)	352673
10	O-Ring	RCO110000
11	Idler Shaft (Hydraulic)	32016
Diaphragm Assemblies		
12	Diaphragm Spring	97110
12	Diaphragm Spring (Hydraulic PT)	94425
13	Diaphragm Assembly (Electric)	352824
13	Diaphragm Assembly (Hydraulic)	352943
13	Diaphragm Assembly (Hydraulic)	353655
14	Diaphragm Support	96331
Hydraulic Adapter		
15	Adapter Assembly	353776
16	Poly Cap	OBSOLETE
17	Tube Retainer	90040

T
O
R
O

1" Flo Pro Series Globe Valve

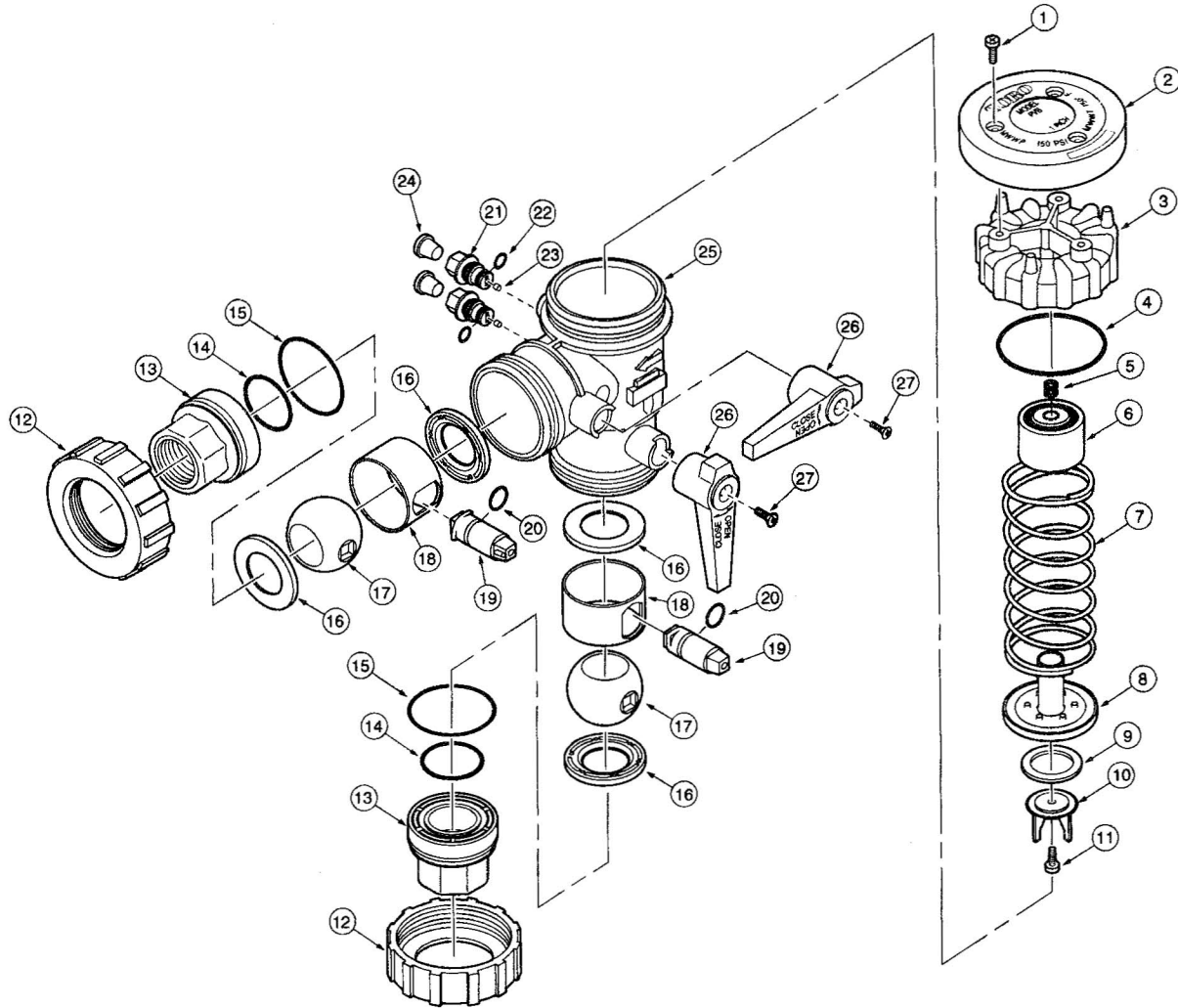
TORO



T
O
R
O

Item #	Description	1" F	1" M
Solenoid Assemblies			
1	Solenoid Cap	890880	890880
2	Solenoid (Complete) w/o Wires	890114	890114
2	Solenoid (Complete) w/ Wires	890114	890114
3	Solenoid O-Ring	OBSOLETE	OBSOLETE
Valve Bonnet Assembly			
5	Valve Bonnet (Flow Control Model)	OBSOLETE	OBSOLETE
6	Valve Bonnet (w/o Flow Control Model)	OBSOLETE	OBSOLETE
4	Flow Control Handle Only	358292	358292
Diaphragm Assemblies			
7	Seat Assembly	890069	890069
8	Teflon Washer (Flow Control Model)	891155	891155
9 & 10	Stem Assembly	890142	890142
11	Diaphragm Spring	892042	892042
12	Spring Sleeve	893423	893423
13	Diaphragm	890993	890993

Pressure Vacuum Breaker (Plastic Body)



Item #	Description	Part #
1	Canopy Screw (2 ea)	360-0715
2	Canopy - 3/4"	89-5809
2	Canopy - 1"	89-5808
3	Bonnet	89-6019
4	Bonnet O-Ring	OBSOLETE
3-6	Float Assembly	89-6006
7	Spring	80-0527
8	Check Valve	OBSOLETE
9	Seat Disc	OBSOLETE
10	Seat Disc Guide	OBSOLETE
11	Guide Screw	363-1444
16-25	Body Assembly (includes ball valves & testcocks)	89-5879
21-24	Testcock Assembly	89-5878
12-15	Union Adapter (3/4" Slip)	89-5880
12-15	Union Adapter (3/4" Thread)	89-5881
12-15	Union Adapter (1" Slip)	89-5882
12-15	Union Adapter (1" Thread)	89-5883