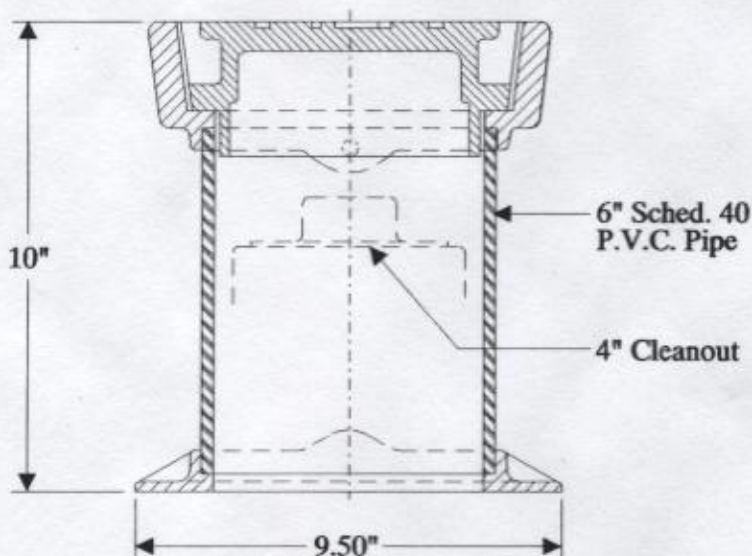


COVER FOR 4" CLEANOUT IN PAVED AREA



THE GENERAL ENGINEERING COMPANY

PRODUCTS FOR UNDERGROUND UTILITIES

P.O. Box 609 Frederick, MD 21705-0609
301/663-9282 • 800/345-6454 • Fax 301/695-5612