

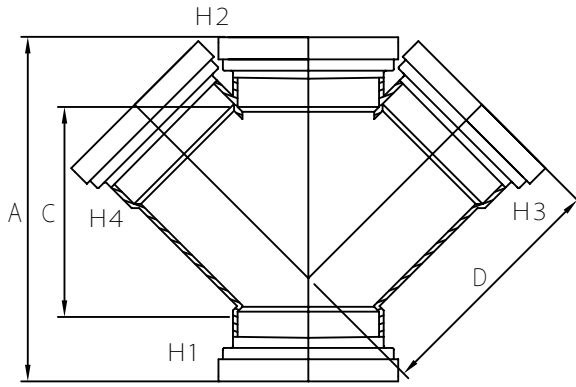


MULTI FITTINGS

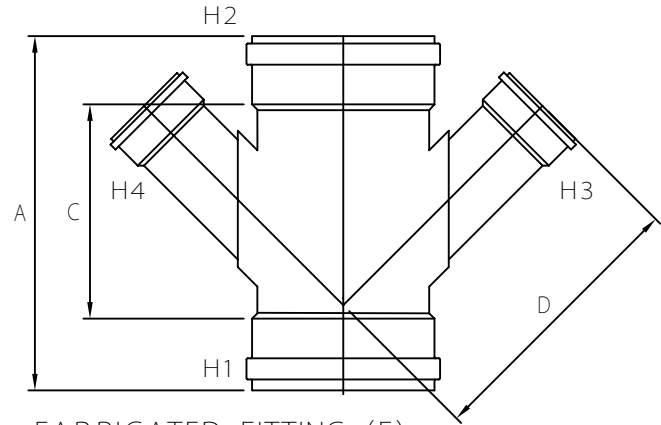
LAYING LENGTH

ISSUE DATE: OCT 30/17
SUPERCEDES: SEPT 14/07

DOUBLE 45° WYE (GxGxGxG)



INJECTION MOLDED FITTING (M)



FABRICATED FITTING (F)

	SIZE H1xH2xH3xH4	PART NUMBER	A REF	C REF	D REF
M =	6x6x4x4	067207	15.000	9.125	8.875
M =	6x6x6x6	067277	15.000	9.125	10.875
F	8x8x4x4	067278	-	-	-
F	8x8x6x6	067279	-	-	-
F	8x8x8x8	067281	-	-	-
F	10x10x4x4	067282	-	-	-
P	10x10x6x6	067280	-	-	-
F	10x10x8x8	067283	-	-	-
F	10x10x10x10	067284	-	-	-
P	12x12x4x4	067285	-	-	-
F @	12x12x6x6	067286	30.000	-	19.500
F	12x12x8x8	067287	-	-	-
F @	12x12x10x10	067289	36.000	-	24.000
F	12x12x12x12	067290	-	-	-
P	15x15x4x4	067291	-	-	-
P	15x15x6x6	067292	-	-	-
P	15x15x8x8	067293	-	-	-
P	15x15x10x10	067294	-	-	-
F @	15x15x12x12	067295	45.000	-	29.000
++F @	15x15x15x15	067296	47.000	-	34.000
P	18x18x4x4	067297	-	-	-
P	18x18x6x6	067298	-	-	-
P	18x18x8x8	067299	-	-	-

Note: = Refer to Page HW4 for Hub Detail, Type A
 @ Refer to Page HW5 for Hub Detail, Fabricated
 ++ FRP Reinforced