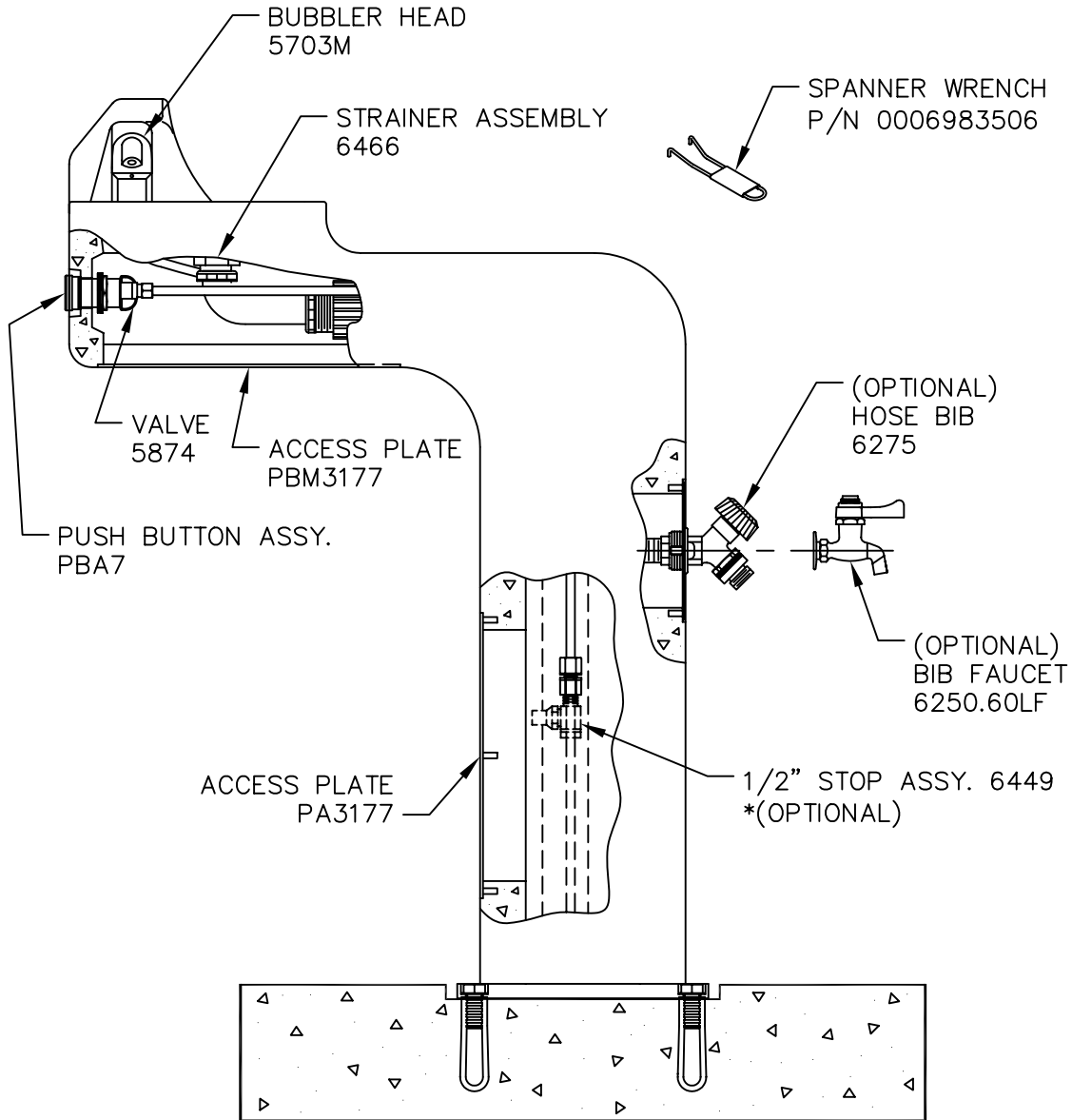


PARTS BREAKDOWN



* IF PURCHASED MFG SUGGESTS YOU USE WITH CONNECTOR P/N 0001730150.2

**WHEN ORDERING
PARTS PLEASE
SPECIFY YOUR
MODEL NUMBER**



1455 KLEPPE LANE BACHWEG 3
SPARKS, NEVADA CH3401 BURGDORF
SWITZERLAND

DRAWN BY: D. OLLOM	DATE: 11/25/95	CHECK BY:	APP'D BY:	SCALE: 1/4
TITLE: 3177			PART NUMBER: 0002077324	
DRAWING TYPE: PARTS BREAKDOWN			DRAWING NUMBER: 12810C00	REV. 11