

# SPECIFICATION SUBMITTAL SHEET



## SCHEDULE 40 WASTE & OVERFLOW, ONE-HOLE FULL KIT with TOUCH TOE STOPPER

Job Name: \_\_\_\_\_  
 Job Location: \_\_\_\_\_  
 Engineer: \_\_\_\_\_  
 Approval: \_\_\_\_\_

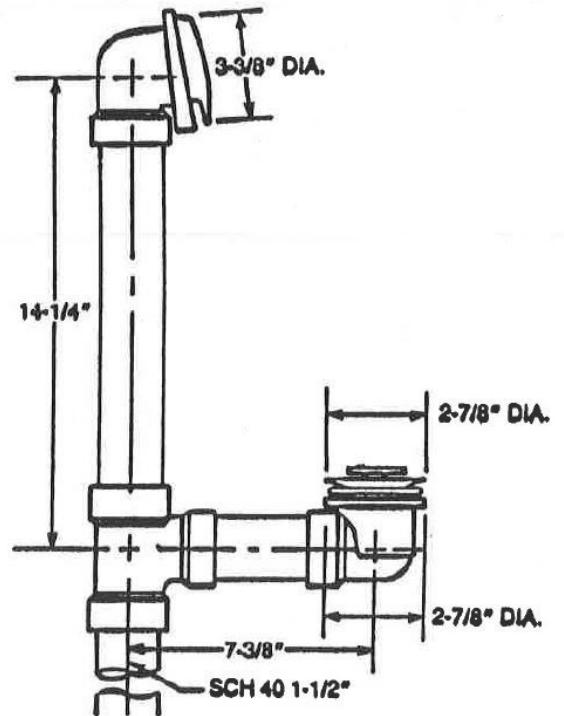
Contractor: \_\_\_\_\_  
 Approval: \_\_\_\_\_  
 Contractor's PO#: \_\_\_\_\_  
 Representative: \_\_\_\_\_

### Specifications

- One-hole waste & overflow
- Full kit includes pipe and tee
- Includes test kit
- Available in PVC and ABS



Shown in ABS



QTY	Model	Product Code	Product Description	Units/Case
	ABA1200	61034	ABS, Chrome	6
	ABA1210CS	61637	PVC, Chrome	6

