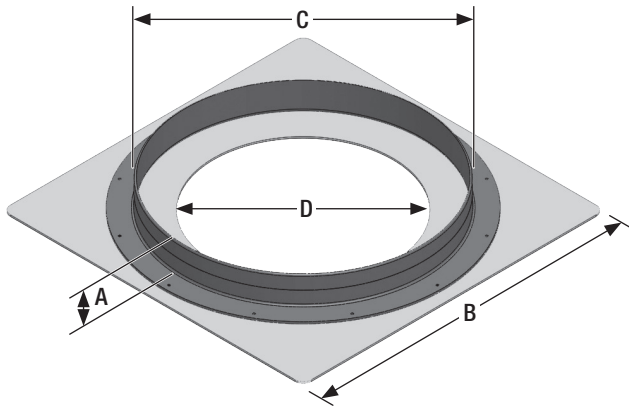


RRFTA30 Tank Adapters

Applications

Orenco RRFTA30 Tank Adapters are designed to provide a structural, watertight method of attaching access risers over tank openings in concrete tanks that don't have cast-in adapters.



RRFTA30

General

Orenco RRFTA30 Tank Adapters are designed to provide watertight connections between PVC risers and concrete tanks. They have a fiberglass reinforced resin (FRP) base and an ABS riser adapter flange.

The RRFTA30 uses the RRFTA30BDKIT bolt-down kit to attach the adapter to a concrete tank. The kit includes stainless steel concrete anchor bolts and butyl sealant tape.

Standard Models

RRFTA30, RRFTA30BDKIT

Materials of Construction

Tank adapter base	Fiberglass reinforced polyester (FRP)
Riser adapter flange	ABS
Anchor bolts	Stainless steel
Sealant tape	Butyl

Specifications

Dimensions, in. (mm)

A, Vertical flange height	3.25 (83)
B, Length/width	36.5 (927)
C, Vertical flange outside diameter	29.25 (743)
D, Opening diameter	22 (559)
Maximum tank opening size (round or square opening)	30 (762)