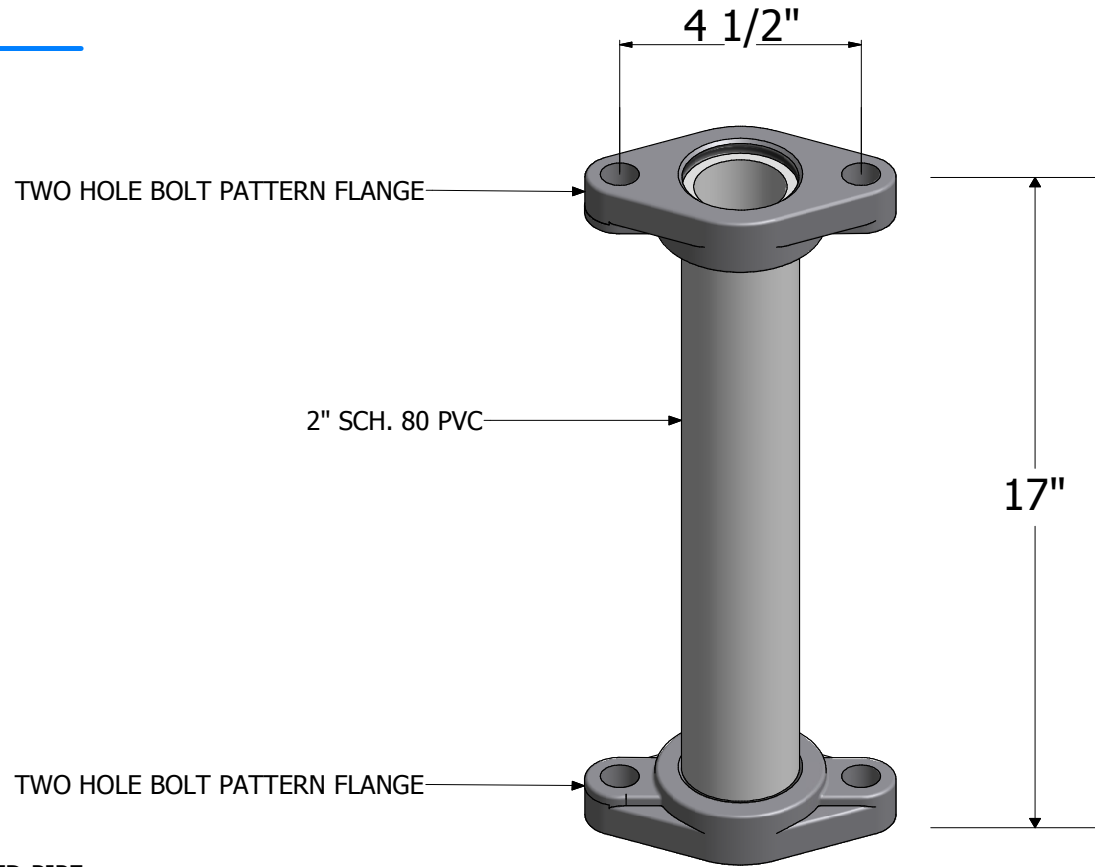




1325 Furneaux Road, Plumas Lakes, CA. 95961
(530) 742-9675
www.placerwaterworks.com

SCHEDULE 80 P.V.C METER IDLER PW/MI-2C



NOTES:

1. MATERIAL: 2" SCHEDULE 80 P.V.C. THREADED PIPE
2. FLANGE TYPE: CAST IRON TWO HOLE BOLTS PATTERN FLANGE
3. "ROMAC" CAST IRON FLANGE TYPICALLY USED.

CAT#: PW/MI-2C

COPYRIGHTED 2014 PLACER WATERWORK, INC. © ALL RIGHTS RESERVED - FOR DUPLICATION AUTHORIZATION MAY OBTAIN THRU: kkern@placerwaterworks.com

CB: K.K. 12-18-2014 REV. 01