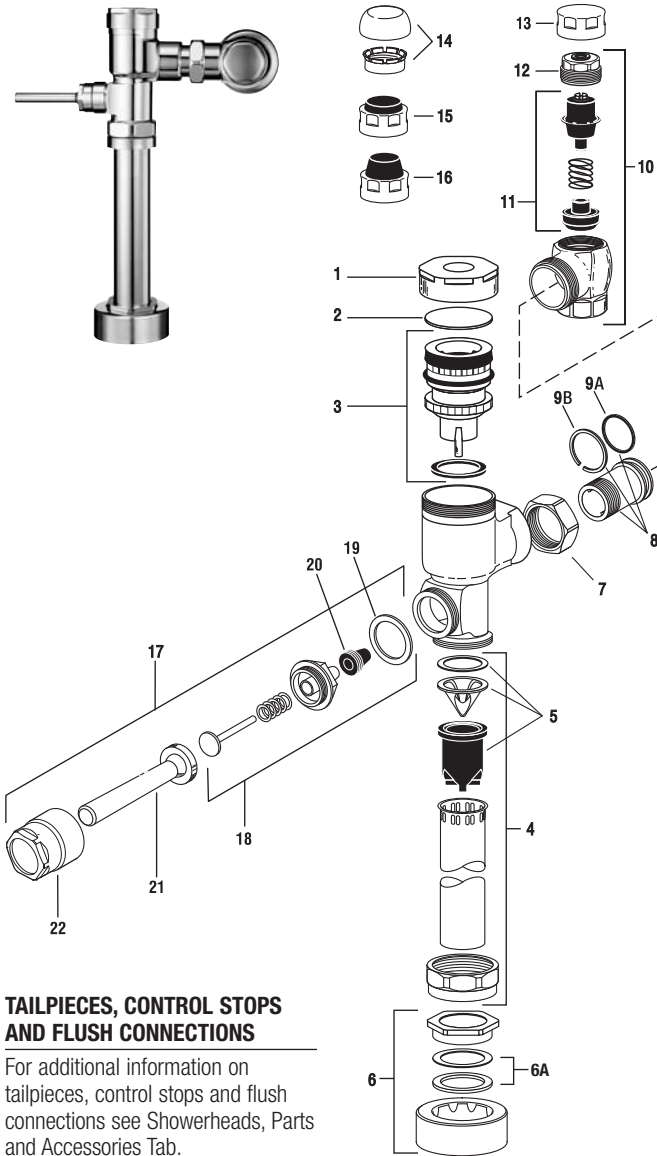


# Gem•2® Flushometer

Manual Flushometers



### TAILPIECES, CONTROL STOPS AND FLUSH CONNECTIONS

For additional information on tailpieces, control stops and flush connections see Showerheads, Parts and Accessories Tab.

### PARTS LIST

| Item No. | Code No.       | Part No. | Description                                |
|----------|----------------|----------|--|
| 1.       | <b>0307142</b> | G-105    | CP Cover                                   |
| 2.       | <b>0307139</b> | G-106    | Slip Disc                                  |
| 3.       | <b>3307135</b> | G-1022-A | Piston Kit – 1.28 gpf/4.8 Lpf Water Closet |
|          | <b>0307193</b> | G-1007-A | Piston Kit – 3.5 gpf/13.2 Lpf Water Closet |
|          | <b>0307195</b> | G-1016-A | Piston Kit – 1.6 gpf/6 Lpf Water Closet    |
|          | <b>0307192</b> | G-1009-A | Piston Kit – 1.5 gpf/5.7 Lpf Urinal        |
|          | <b>0307185</b> | G-1017-A | Piston Kit – 1.0 gpf/3.8 Lpf Urinal        |
|          | <b>3307133</b> | G-1018-A | Piston Kit – 0.5 gpf/1.9 Lpf Urinal        |
|          | <b>3307134</b> | G-1019-A | Piston Kit – 2.4 gpf/9.0 Lpf Water Closet  |

### PISTON KITS FOR OLD STYLE ADJUSTABLE GEM FLUSHOMETERS

|  |                |          |                           |
|--|----------------|----------|---------------------------|
|  | <b>0307043</b> | G-1003-A | Piston Kit – Water Closet |
|  | <b>0307044</b> | G-1002-A | Piston Kit – Urinal       |

### ALL PISTON KITS INCLUDE G-21 MAIN SEAT (See next page)

|    |                |           |  |
|----|----------------|-----------|--|
| 4. | <b>5323005</b> | V-500-AA  | 3/4" x 9" Vacuum Breaker – 6 per package   |
|    | <b>5323006</b> | V-500-AA  | 1-1/4" x 9" Vacuum Breaker – 6 per package |
|    | <b>5323007</b> | V-500-AA  | 1-1/2" x 9" Vacuum Breaker – 6 per package |
| 5. | <b>3323192</b> | V-551-A   | Vacuum Breaker Repair Kit                  |
| 6. | <b>3332002</b> | CR-1010-A | 1-1/2" (38 mm) Spud Coupling               |
|    | <b>3332001</b> | CR-1009-A | 1-1/4" (32 mm) Spud Coupling               |
|    | <b>3332000</b> | CR-1008-A | 3/4" (19 mm) Spud Coupling                 |

### 6A. SEE SLIP JOINT GASKETS AND RINGS TABLE BELOW LEFT

|     |                |          |   |
|-----|----------------|----------|---|
| 7.  | <b>0308676</b> | H-550    | Stop Coupling                                       |
| 8.  | <b>0308801</b> | H-551-A  | Adjustable Tailpiece 2-1/16" (Standard Length)      |
| 9A. | <b>5308696</b> | H-553    | O-ring – 24 per package                             |
| 9B. | <b>5308381</b> | H-552    | Locking ring – 12 per package                       |
| 10. | <b>0388000</b> | H-700-A  | 1" Screwdriver Bak-Chek® Stop CP – complete         |
|     | <b>0388001</b> | H-700-A  | 3/4" Screwdriver Bak-Chek® Stop CP – complete       |
| 11. | <b>3308853</b> | H-541-A  | Control Stop Repair Kit*                            |
|     | <b>3308856</b> | H-543-A  | Control Stop Repair Kit**                           |
| 12. | <b>0308612</b> | H-622    | CP Bonnet*  |
|     | <b>0308843</b> | H-577    | CP Bonnet** – <b>OBSOLETE</b>                       |
| 13. | <b>3308840</b> | H-573-A  | Control Stop Cap CP*                                |
|     | <b>0308848</b> | H-582    | Control Stop Cap CP**                               |
| 14. | <b>3308791</b> | H-1010-A | Vandal Resistant Control Stop Cap Assembly*         |
|     | <b>3308790</b> | H-1009-A | Vandal Resistant Control Stop Cap Assembly**        |
| 15. | <b>3308866</b> | H-574    | Control Stop Cap w/Bumper (-YO Variation)*          |
| 16. | <b>3308867</b> | H-576    | Control Stop Cap w/Extended Bumper (-YG Variation)* |

### HANDLE REPAIR KIT

|     |                |        |                                   |
|-----|----------------|--------|-----------------------------------|
| 17. | <b>0307100</b> | G-143  | Handle Assembly                   |
| 18. | <b>5307074</b> | G-50-A | Handle Repair Kit – 6 per package |
| 19. | <b>5307065</b> | G-35   | Handle Gasket – 48 per package    |
| 20. | <b>5302297</b> | B-39   | Handle Seal – 12 per package      |
| 21. | <b>0307024</b> | G-145  | Handle Grip                       |
| 22. | <b>0307020</b> | G-144  | Handle Socket                     |

\*For use with 1" and 3/4" H-700-A and 1" H-600-A Bak-Chek® screwdriver control stop

\*\*For use with 3/4" H-600-A Bak-Chek® screwdriver control stop

### ITEM 6A. SLIP JOINT GASKETS AND RINGS

| Size            | Code No.               | Part No. | Description                    |
|-----------------|------------------------|----------|--------------------------------|
| 1-1/2"          | <b>5306058</b>         | F-3      | Red Friction Ring              |
|                 | <b>5322001</b>         | VBF-5    | Black Slip Joint Gasket        |
|                 | <b>0319086/5319086</b> | S-30     | Flexible Seat                  |
|                 | <b>0319079</b>         | S-21     | Rigid Seat (rubber over brass) |
| 1-1/2" x 1-1/4" | <b>0396062</b>         | F-105    | Slip Joint Gasket – Rigid      |
| 1-1/4"          | <b>5306057</b>         | F-3      | Red Friction Ring              |
|                 | <b>5322176</b>         | VBF-5    | Black Slip Joint Gasket        |
|                 | <b>0307052/5307052</b> | G-21     | Rigid Seat (rubber over brass) |
| 1"              | <b>5306056</b>         | F-3      | Red Friction Ring              |
|                 | <b>5306115</b>         | F-5      | Black Slip Joint Gasket        |
| 3/4"            | <b>5306055</b>         | F-3      | Red Friction Ring              |
|                 | <b>5306113</b>         | F-5      | Black Slip Joint Gasket        |