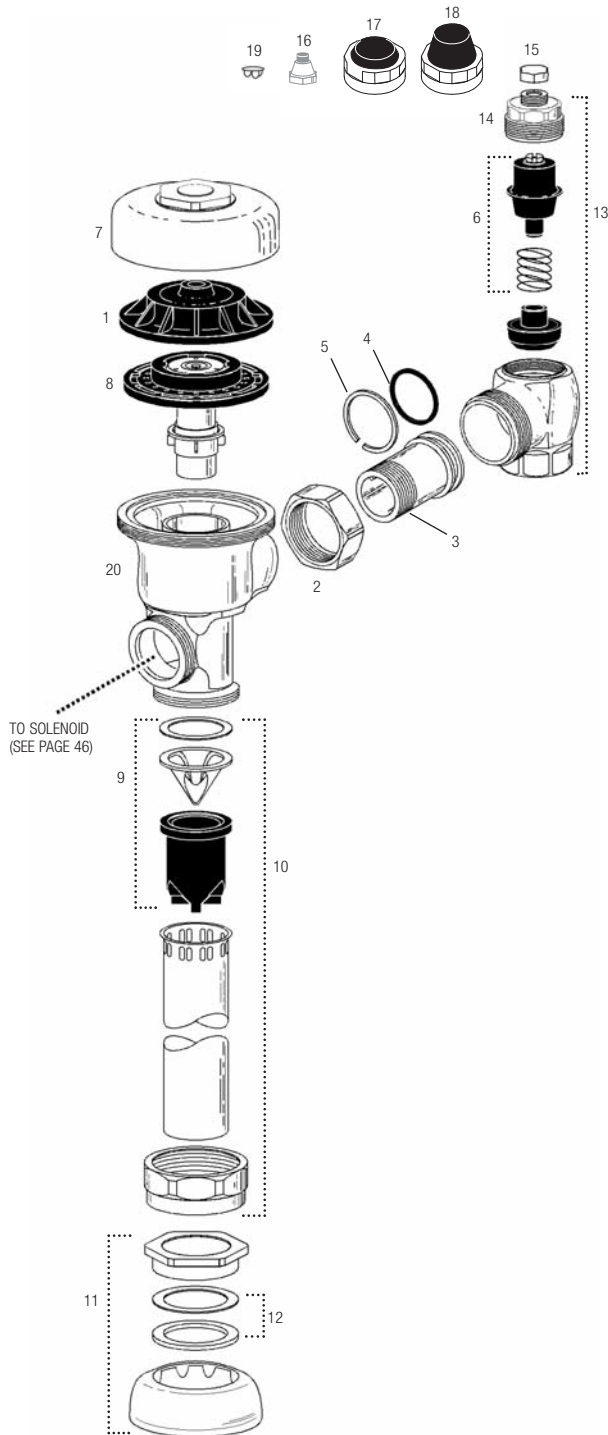


Optima® Regal® Flushometers

NOTE: Also for use with Regal® XL
(Since mid-2010)

Sensor
Flushometers



OPTIMA® REGAL® FLUSHOMETER PARTS LIST

| Item No. | Code No. | Part No. | Description |
|----------|---|------------|---|
| 1. | 0301168 | A-71 | Inside Cover |
| 2. | 0308676 | H-550 | CP Stop Coupling |
| 3. | 0308801 | H-551-A | CP Adjustable Tail 2-1/16" (52 mm) long |
| 4. | 5308696 | H-553 | O-Ring – 24 per package |
| 5. | 5308381 | H-552 | Locking ring – 12 per package |
| 6. | 3308853 | H-541-A-SD | Control Stop Repair Kit for use with 1" (25 mm) H-700-A & 3/4" (19 mm) H-700-A, 1" (25 mm) H-600-A, 1" (25 mm) & 3/4" (19 mm) H-700-A and 1" (25 mm) H-540-A SD Stops |
| | 3308856 | H-543-A-SD | Control Stop Repair Kit for use with 3/4" (19 mm) H-600-A |
| 7. | 0317004 | R-10 | CP Cover |
| 8. | SEE INSIDE PARTS ASSEMBLY CHART ON PAGE 42 | | |
| 9. | 3323192 | V-551-A | Vacuum Breaker Repair Kit |
| 10. | 5323005 | V-500-AA | 3/4" (19 mm) x 9" (229 mm) CP Vacuum Breaker |
| | 5323006 | V-500-AA | 1-1/4" (32 mm) x 9" (229 mm) CP Vacuum Breaker |
| | 5323007 | V-500-AA | 1-1/2" (38 mm) x 9" (229 mm) CP Vacuum Breaker |
| 11. | 0306102 | F-54-A | 3/4" (19 mm) CP Spud Coupling Assembly |
| | 0306142 | F-55-A | 1-1/4" (32 mm) CP Spud Coupling Assembly |
| | 0306145 | F-56-A | 1-1/2" (38 mm) CP Spud Coupling Assembly |
| 12. | SEE SLIP JOINT GASKETS AND RINGS TABLE BELOW | | |
| 13. | 0388065 | H-790-A | 1" Screwdriver Stop Adjustable |
| | 0388064 | H-790-A | 3/4" Screwdriver Stop Adjustable |
| | 0388029 | H-740-A | 1" (25 mm) SD Bak-Chek® Stop CP – complete OBSOLETE |
| | 0388031 | H-740-A | 3/4" (19 mm) SD Bak-Chek® Stop CP – complete OBSOLETE |
| 14. | 0308612 | H-622 | CP Bonnet (Current Regal®) |
| | 0308991 | H-639 | CP Bonnet for use with 1" (25 mm) & 3/4" (19 mm) H-700-A and 1" (25 mm) H-540-A SD Stops – Pre 2010 Regal® Stops |
| | 0308601 | H-538 | CP Bonnet for use with H-700-A 3/4" (19 mm) SD Stop – OBSOLETE |
| 15. | 5388001 | H-1012-A | CP Cap – 6 per package VP |
| 16. | 5310034 | J-2/J-7 | Bumper Assembly – 6 per package – OBSOLETE |
| 17. | 3308866 | H-574 | Stop Cap, chrome plated with Seat Bumper (-YO) |
| 18. | 3308867 | H-576 | Stop Cap, chrome plated with Extended Seat Bumper (-YG) |
| 19. | 5388002 | H-528 | Hole Plug |
| 20. | 0301048 | A-143-A | CP Valve Body |
| | 0301050 | A-143-A | RB Valve Body |

NOTE: Also refer to the Royal®, Regal®, control stop and flush connection sections.

ITEM 31A. SLIP JOINT GASKETS AND RINGS

| Size | Code No. | Part No. | Description |
|-----------------|-----------------|----------|--------------------------------|
| 1-1/2" | 5306058 | F-3 | Red Friction Ring |
| | 5322001 | VBF-5 | Black Slip Joint Gasket |
| | 0319086/5319086 | S-30 | Flexible Seat |
| | 0319079 | S-21 | Rigid Seat (rubber over brass) |
| 1-1/2" x 1-1/4" | 0396062 | F-105 | Slip Joint Gasket – Rigid |
| 1-1/4" | 5306057 | F-3 | Red Friction Ring |
| | 5322176 | VBF-5 | Black Slip Joint Gasket |
| | 0307052/5307052 | G-21 | Rigid Seat (rubber over brass) |
| 1" | 5306056 | F-3 | Red Friction Ring |
| | 5306115 | F-5 | Black Slip Joint Gasket |
| 3/4" | 5306055 | F-3 | Red Friction Ring |
| | 5306113 | F-5 | Black Slip Joint Gasket |