

CODE NUMBER

0325105

DESCRIPTION

Polished Chrome Finish, Fixture Connection Top Spud, Single Flush, Battery, Exposed Sensor Urinal/Water Closet Retrofit Flushometer.

DETAILS

- Finish: Polished Chrome (CP)
- Power Type: Battery ()
- Battery Life: 3 years
- Valve: Diaphragm
- Fixture Type: Urinal/Water Closet
- Fixture Connection: Top Spud

FEATURES

- Indicator Lights - user in view and low battery
- Optional 24 hour sentinel flush

**COMPLIANCES & CERTIFICATIONS**

(BREEAM Water Credit, Green Globes Water Credit)

ELECTRICAL SPECIFICATIONS

- Battery Life: 3 years
- Control Circuit: 6 VDC Input/24 Hour Sentinel Flush/Solid State

VALVE OPERATING PRESSURE (FLOWING)

15–80 PSI (103–552 kPa). Specific fixtures may require greater minimum flowing pressure - consult manufacturer requirements.

DOWNLOADS

- [Side Mount Operator Unit Installation Instructions](#)
- [Optima SMO Installation Instructions](#)
- [EBV-89A Side Mount Repair and Maintenance Guide](#)
- [Additional Downloads](#)

NOTES

All information contained within this document subject to change without notice.

Looking for other variations of the EBV89A product? [View the general spec sheet with all options.](#)

[Find a compatible urinal](#) for this flushometer.

[Find a compatible water closet](#) for this flushometer.

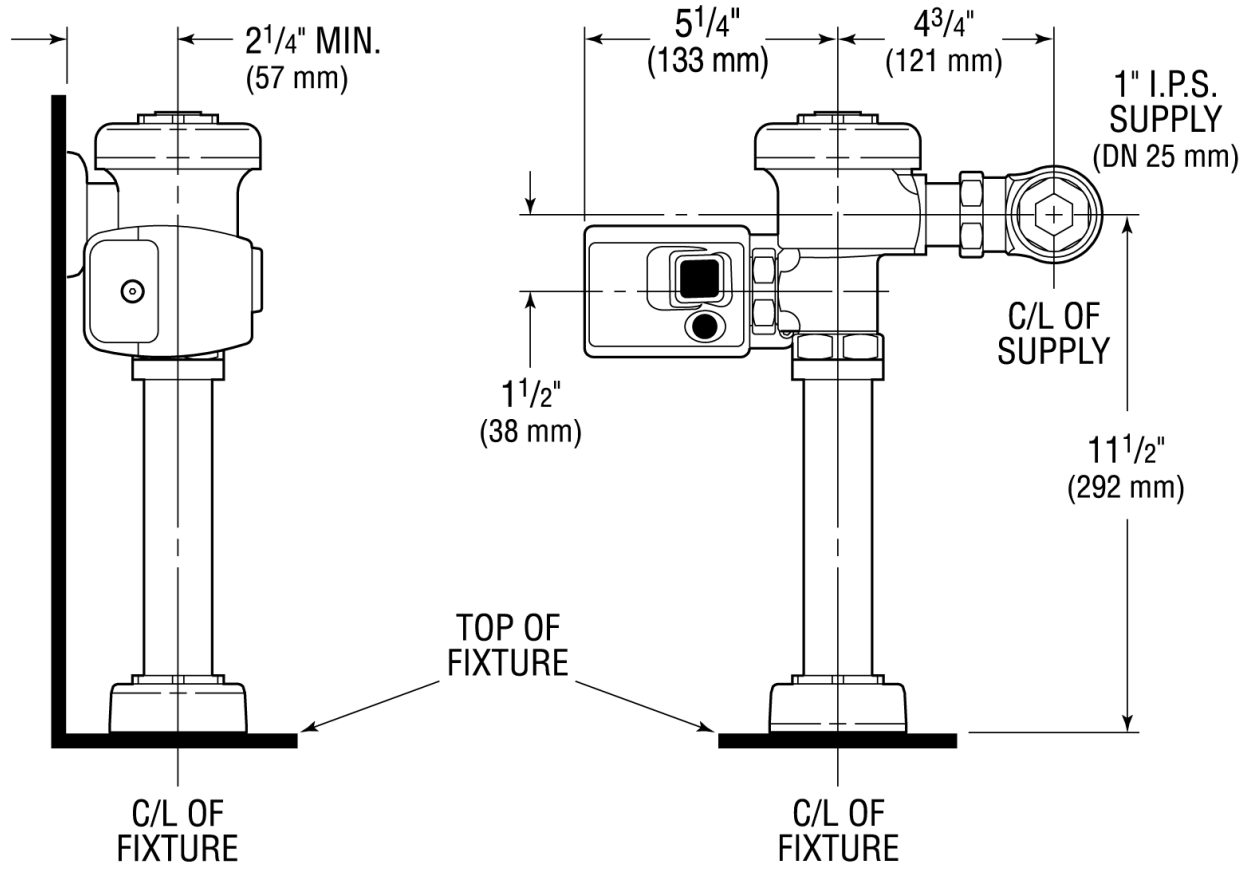
Battery life varies according to actual usage and restroom conditions.

Sloan 10500 Seymour Ave, Franklin Park, IL 60131

Phone: 800.982.5839 • Fax: 800.447.8329 • sloan.com

ROUGH-IN

Side Mount Operator unit shown on an existing Sloan Regal
Model 110/111 Closet Flushometer



Sloan 10500 Seymour Ave, Franklin Park, IL 60131
Phone: 800.982.5839 • Fax: 800.447.8329 • sloan.com