

SMO Side-Mount-Operator

Battery powered, sensor activated retrofit unit for exposed closet and urinal flushometers.

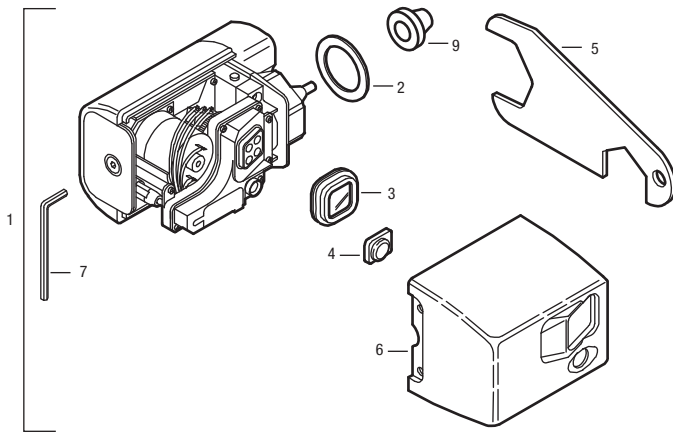


PARTS LIST

Item			
No.	Code No.	Part No.	Description
1.	0325105	EBV-89-A	Side Mount Operator for Water Closets (Toilets) and Urinals
2.	0325151	EBV-121	Gasket (Red)
3.	0325148	EBV-118	Lens
4.	0325153	EBV-123	Button repair kit
5.	0325150	EBV-120	Wrench
6.	0325157	EBV-127	Metal Cover Closet w/OR
7.	0325149	EBV-119	Allen Wrench 3mm security hex
8.	0325192	EBV-157	Handle Adapter Kit (Includes O-ring) for GEM•2®
9.	—	B-39	Handle Seal

Note: Battery door screw is not an available part. Use M4-0.7 x 12 mm screw as suitable replacement.

Sensor
Flushometers



Only use with GEM•2® flushometers when converting to a Sensor Activated SMO (Side Mount Operator) Unit