



model **6463**  
Drain Strainer

## FEATURES & BENEFITS

---

## OPTIONS

---

For more information, visit [www.hawsco.com](http://www.hawsco.com) or call (888) 640-4297.



## SPECIFICATIONS

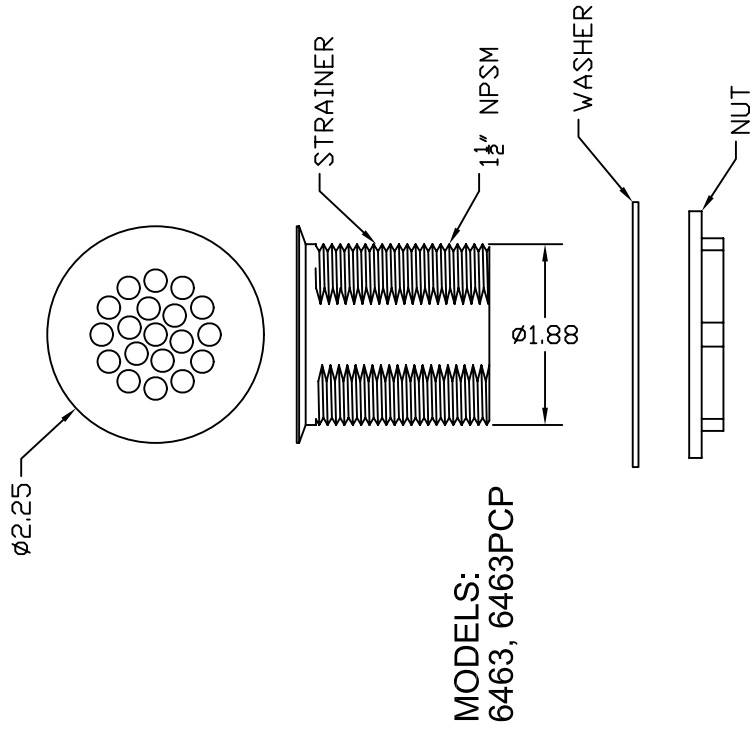
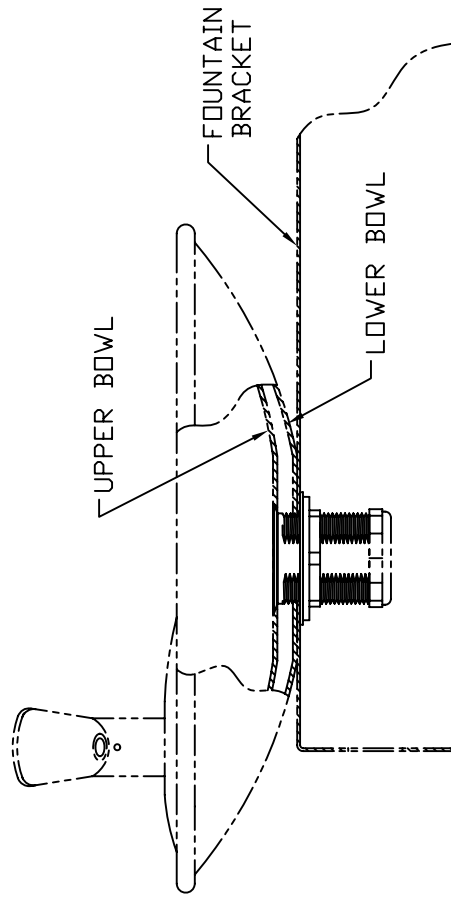
---

Model 6463 is a satin chrome-plated vandal-resistant waste strainer with anti-airlock draining feature. Includes fiber washer and locknut, 1-1/2" NPS. Used on the 1000 series type bowls.

## APPLICATIONS

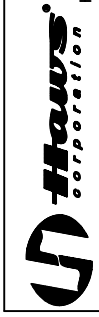
---

THIS DOCUMENT IS TRUE AND CORRECT AT TIME OF PUBLICATION. CONTINUED PRODUCT IMPROVEMENTS MAKE SPECIFICATIONS AND MEASUREMENTS SUBJECT TO CHANGE WITHOUT NOTICE.



MODELS:  
6463, 6463PCP

**TYPICAL INSTALLTION**  
ACTUAL MODEL WILL VARY



INFO FAX : 1-888-FAX-HAWS (1-888-329-4297)  
1455 Kleppe Ln, Sparks NV, 89431  
Phone: 775-359-4712 Fax: 775-359-7424  
Haws Ag, Bachweg 3, CH-3401 Burgdorf Switzerland  
Haws Mfg Pte Ltd 74 Sungai Kadut Loop Singapore 729531  
e-mail: Haws@hawsco.com website: www.hawsco.com

FOR NO.	REVISED PER	BY	DATE	DATE	APPROVED:
	ECN: 4054	BW	12/27/99		
MODEL(S):	6463, 6463PCP				
INFO FAX DOC #:	26463				
SCALE:	1:2				
DRAWING TYPE:	INSTALLATION/BACK				
DRAWING NUMBER:	1445800				
REV:	2				
SIZE:	A SHL 1 OF 1				