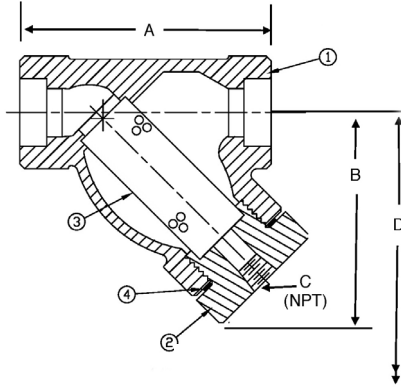


Materials



Model 581

BILL OF MATERIAL MODELS 581, 582		
ITEM	DESCRIPTION	MATERIAL
1	BODY	Carbon Steel ASTM A216 Gr. WCB
2	CAP	Carbon Steel ASTM A216 Gr. WCB
3	SCREEN	304 SS
4	GASKET	Spiral Wound Graphite Filled
5	STUDS	A193 B7
6	NUTS	A194 2H

Pressure Drop

See Pressure Drop Charts in Technical Data section of the Mueller Steam Specialty Engineering binder. Cv values are noted in the Dimensions and Weights table below.

Dimensions and Weights

SIZE	DIMENSIONS						D		WEIGHT		Cv
	A		B		C (NPT)		Screen Removal		lbs.	kgs.	
in.	in.	mm	in.	mm	in.	mm	in.	mm			GPM
1/4	2 ¹⁵ / ₁₆	76	2 ³ / ₈	60	1/4	6	2 ¹ / ₂	64	2	.91	5
3/8	2 ¹⁵ / ₁₆	76	2 ³ / ₈	60	1/4	6	2 ¹ / ₂	64	2	.91	5
1/2	2 ¹⁵ / ₁₆	76	2 ³ / ₈	60	1/4	6	2 ¹ / ₂	64	2	.91	5
3/4	3 ¹ / ₁₆	95	2 ¹³ / ₁₆	72	3/8	10	3 ³ / ₈	86	3	1.36	12
1	4 ⁹ / ₁₆	117	3 ¹ / ₈	130	3/8	10	4 ³ / ₄	121	5	2.27	15
1 ¹ / ₄	4 ¹⁵ / ₁₆	127	4	102	3/4	20	5 ¹ / ₄	133	6.8	3.08	27
1 ¹ / ₂	5 ⁹ / ₁₆	143	4 ³ / ₄	121	3/4	20	6	152	9.8	4.45	30
2	6 ¹⁵ / ₁₆	178	6	152	1	25	7 ⁷ / ₈	194	15	6.8	62

Apply For Certified Drawings.

Limited Warranty: Mueller Steam Specialty warrants each product to be free from defects in material and workmanship under normal usage for a period of one year from the date of original shipment. In the event of such defects within the warranty period, the Company will, at its option, replace or recondition the product without charge. This shall constitute the sole and exclusive remedy for breach of warranty, and the Company shall not be responsible for any incidental, special or consequential damages, including without limitation, lost profits or the cost of repairing or replacing other property which is damaged if this product does not work properly, other costs resulting from labor charges, delays, vandalism, negligence, fouling caused by foreign material, damage from adverse water conditions, chemical, or any other circumstances over which the Company has no control. This warranty shall be invalidated by any abuse, misuse, misapplication or improper installation of the product. **THIS WARRANTY IS IN LIEU OF ALL OTHER WARRANTIES, EXPRESS OR IMPLIED, INCLUDING ANY IMPLIED WARRANTIES OF MERCHANTABILITY OR FITNESS FOR A PARTICULAR PURPOSE.** Any implied warranties that are imposed by law are limited in duration to one year.

Some States do not allow limitations on how long an implied warranty lasts, and some States do not allow the exclusion or limitation of incidental or consequential damages. Therefore the above limitations may not apply to you. This Limited Warranty gives you specific legal rights, and you may have other rights that vary from State to State. You should consult applicable state laws to determine your rights.



A WATTS Brand

USA: T: (800) 334-6259 • F: (800) 421-6772 • MuellerSteam.com

Latin America: T: (52) 81-1001-8600 • MuellerSteam.com

© 2019 Mueller Steam Specialty