

200W CAST IRON GATE VALVE

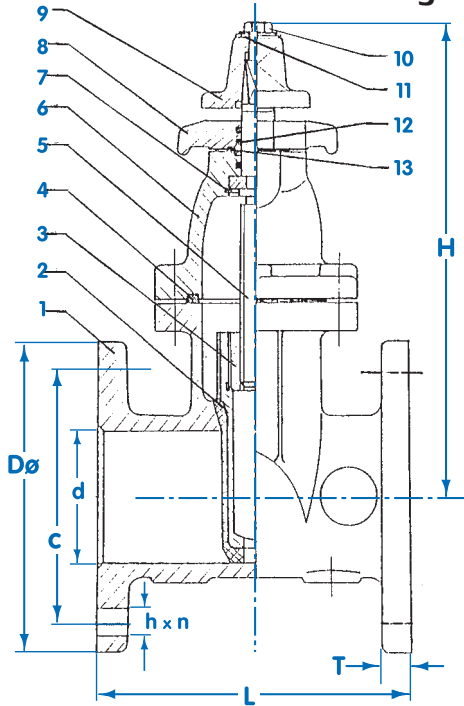


- ❖ Resilient Wedge
- ❖ Flanged Ends
- ❖ Non Rising Stem
- ❖ Bolted Bonnet
- ❖ Epoxy Coated
- ❖ Stainless Steel Stem

200 PSI NON-SHOCK WOG MAXIMUM TEMPERATURE 140°F

Applications: Potable Water, Turf, Golf Course, Irrigation, Water Distribution Service & Feed Lines, Sewage Disposal

Conforms with AWWA C509
Flanges Conform With ANSI B16.1

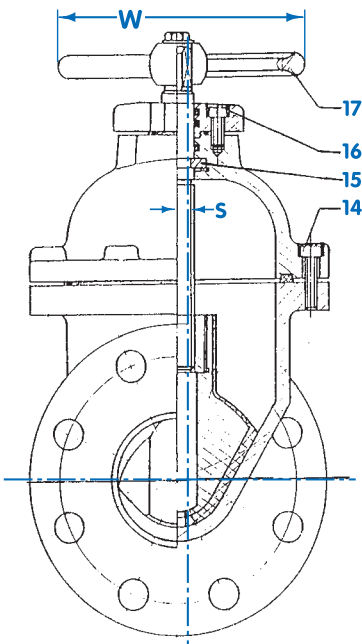


DIMENSIONS & WEIGHTS

SIZE dø (inch)	L	Dø	Cø	hø	n	T	Wø	H	Sø	APROX. WT. LBS.
2"	7.0	6.0	4.75	.75	4	.63	7.87	9.84	.94	31
3"	8.0	7.5	6.00	.75	4	.75	7.87	12.40	1.10	53
4"	9.0	6.0	7.50	.75	8	.94	9.45	13.98	1.10	86
6"	10.5	11.0	9.50	.88	8	.98	12.60	17.13	1.26	141
8"	11.5	13.5	11.75	.88	8	1.14	14.17	20.87	1.26	231
10"	13.0	16.0	14.25	1.00	12	1.18	15.75	25.39	1.42	359
12"	14.0	19.0	17.00	1.00	12	1.26	15.75	28.35	1.42	513

MATERIAL SPECIFICATIONS

NO.	PART	MATERIAL	ASTM DESIGNATION
1	Body	Cast Iron	A126 CLB
2	Disc	Ductile Iron Buna-N	A395 GR65-45-12 D2000
3	Stem Nut	Bronze	B62
4	Bonnet Gasket	Buna-N	D2000
5	Stem	Stainless Steel	A276 GR304
6	Bonnet	Cast Iron	A126 CLB
7	Clip Ring	Steel	C1065
8	Packing Box	Cast Iron	A126 CLB
9	Operating Nut	Cast Iron	A126 CLB
10	Top Bolt	Stainless Steel	316
11	Washer	Stainless Steel	316
12	O-Ring	Buna-N	D2000
13	Packing Box Gasket	Buna-N	D2000
14	Bonnet Bolt	Stainless Steel	316
15	Split Ring	Bronze	B62
16	Packing Box Bolt	Stainless Steel	316
17	Handwheel	Cast Iron	A126 CLB



Product Spec Sheet



Brewster, NY
TEL: 800-431-2082
FAX: 800-640-2252

Houston, TX
TEL: 800-935-5456
FAX: 800-683-4247

La Palma, CA
TEL: 866-532-8306
FAX: 866-532-8307

Americus, GA
TEL: 800-433-7526
FAX: 800-533-5134

e-mail: mail@matco-norca.com

www.matco-norca.com