

## Features

- Integral flange.
- Left drain.
- Integral lumbar support.
- Integral apron.
- Wide ledge for extra storage space.
- 60" (1524 mm) x 34-1/4" (870 mm) x 14" (356 mm)

## Material

- Cast iron with Safeguard® finish.

## Installation

- Alcove

## Recommended Accessories

- K- 1491 Bath/Whirlpool Pillow
- K- 1601 Bath/Whirlpool Footstop
- 7160-TF
- K- 7213 27" Cable Bath Drain
- K- 7214 27" Cable Bath Drain



**ADA**

## Codes/Standards

ASME A112.19.1/CSA B45.2  
ADA  
ICC/ANSI A117.1




## KOHLER® Lifetime Limited Warranty for Cast Iron Components

See website for detailed warranty information.

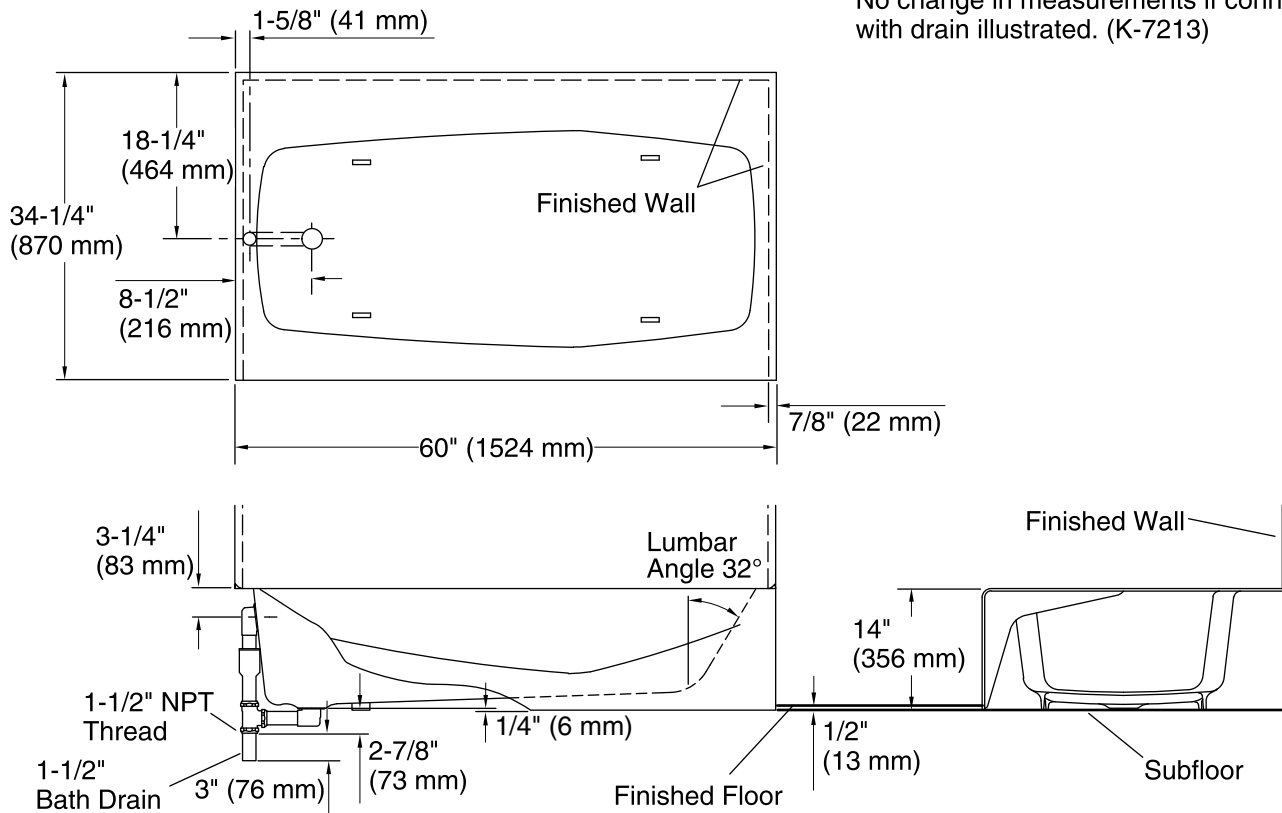
## Available Color/Finishes

*Color tiles intended for reference only.*

Color	Code	Description
-------	------	-------------

- |  |    |         |
|--|----|---------|
|  | 0  | White   |
|  | 96 | Biscuit |
|  | 47 | Almond  |

No change in measurements if connected with drain illustrated. (K-7213)



## Technical Information

All product dimensions are nominal.

Installation:	3-Wall Alcove
Drain location:	Left
Basin area, bottom:	45" x 22" (1143 mm x 559 mm)
Basin area, top:	55" x 24" (1397 mm x 610 mm)
Weight:	330 lbs (149.7 kg)
Minimum floor load:	51 lbs/ft <sup>2</sup> (249 kg/m <sup>2</sup> )
Water depth:	8-5/8" (219 mm)
Water capacity:	33 gal (124.9 L)

## Notes

- Measure your actual product for rough-in details.
- Install this product according to the installation instructions.
- The hot water supply should be 70% of the capacity of the bath or greater. Installations will vary.
- ADA compliant when installed to the specific requirements of these regulations.