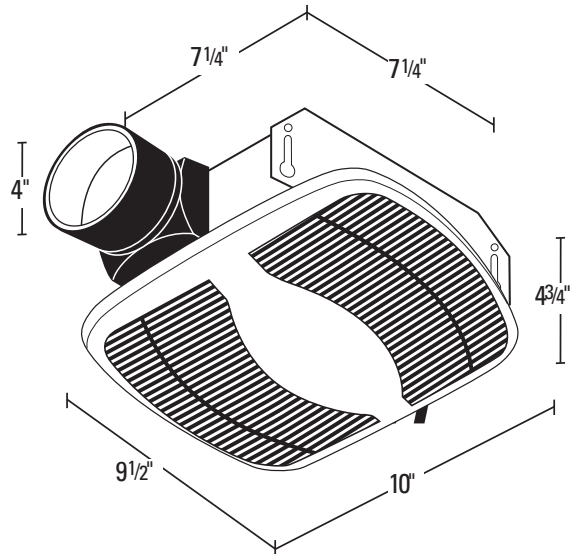




**SPECIFICATIONS**  
**AS54**  
EXHAUST FAN WITH LIGHT

**50 CFM/3.0 SONES @ 0.10" WG.**  
**HVI CERTIFIED 120 Volts, 0.9 amps, 60 hz.**

- **Grill**  
White, polymeric grill secured in place with torsion springs; easily removed if necessary, dimensions - 10" x 9 1/2".
- **Blower Wheel**  
One piece polymeric wheel, 4 1/2" diameter, 1" wide, with 10 fins.
- **Motor**  
Single coil plug-in, two pole motor, life time lubrication, thermally protected. Rated 120 volts, 60 hz., 0.9 amps.
- **Fan Housing**  
23 gauge galvanized metal housing, dimensions 7 1/4" x 7 1/4" x 4 3/4", double metal thickness mounting tabs.
- **Duct Collar**  
Plastic collar for 4" duct connection, comes complete with built in non-metallic back draft damper for quiet operation.
- **Ventilating Area**  
For bathrooms up to 50 sq. ft. for other rooms up to 60 sq. ft.
- **Unit Mounting**  
Rated for ceilings insulated to R-40. Designed to mount in ceilings with at least 5" of clearance. The housing will mount through drywall thickness up to 3/4", with a rough-in opening of 7 1/2" x 7 1/2".
- **Single Pack Shipping Info**  
Box Dim: 11" x 10 3/8" x 5 3/4"  
UPC: 0-8316293012-5  
Shipping Weight: 4 1/2 lbs.



Acceptable for use over tub or shower when installed in a GFCI protected branch circuit.



PERFORMANCE											
	Static Pressure (inches of w.g.)								HVI Sones @ .1 SP	Fan Speed RPM	Power Watts
	0	0.05	0.1	0.125	0.15	0.2	0.25	0.3			
<b>Air Flow - CFM</b>	57	53	50	49	47	43	39	32	3.0	2176	41

<b>PROJECT</b>					<b>ARCHITECT</b>					
<b>LOCATION</b>					<b>ENGINEER</b>					
<b>CONTRACTOR</b>					<b>SUBMITTED BY</b>			<b>DATE</b>		
FAN NUMBER	MODEL NUMBER	CFM	IN W.G.	RPM	WATTS	AMPS	SONES	QTY	OPTIONAL EQUIPMENT & REMARKS	



**U.S.:** 820 Lincoln Avenue  
West Chester, Pennsylvania 19380-4466  
Tel: (610) 692-7400 • 877-304-3785  
Fax: (610) 696-8048

**Canada:** 8 Edvac Drive  
Brampton, Ontario L6S 5P2  
Tel: (905) 456-2033  
Fax: (905) 456-1015