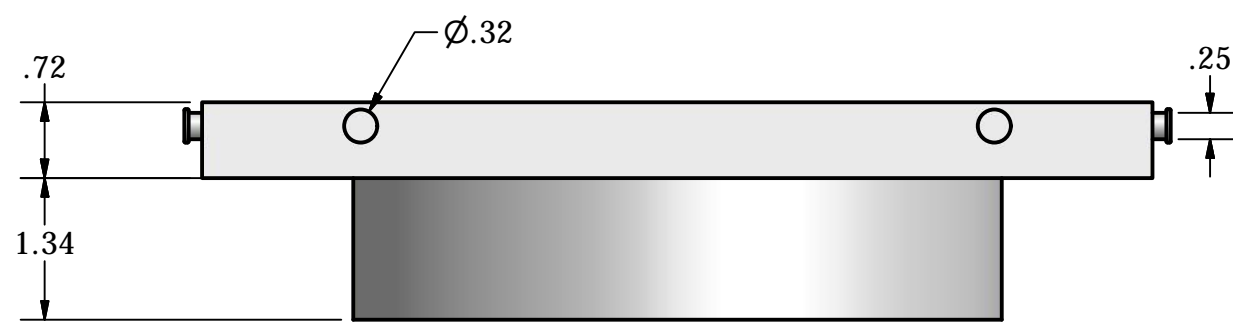
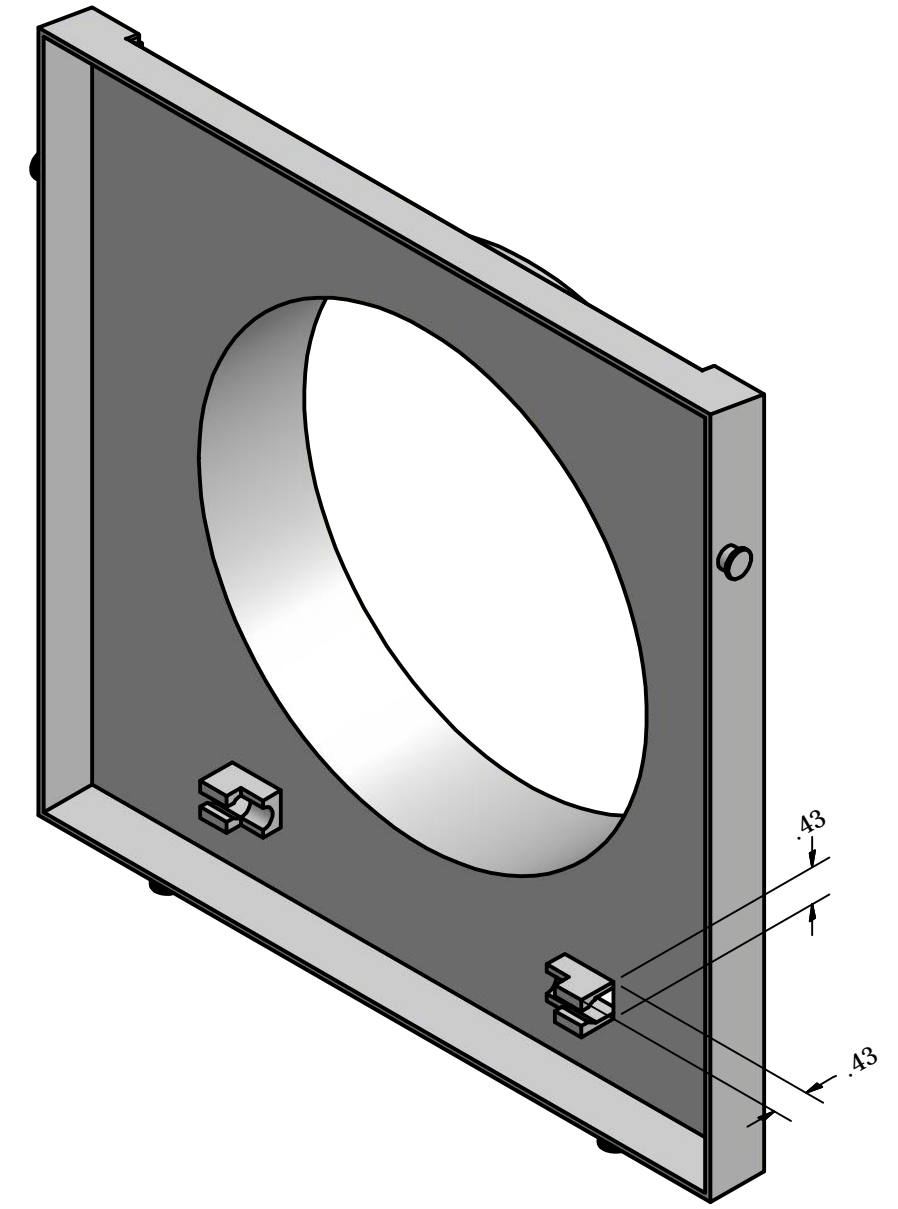
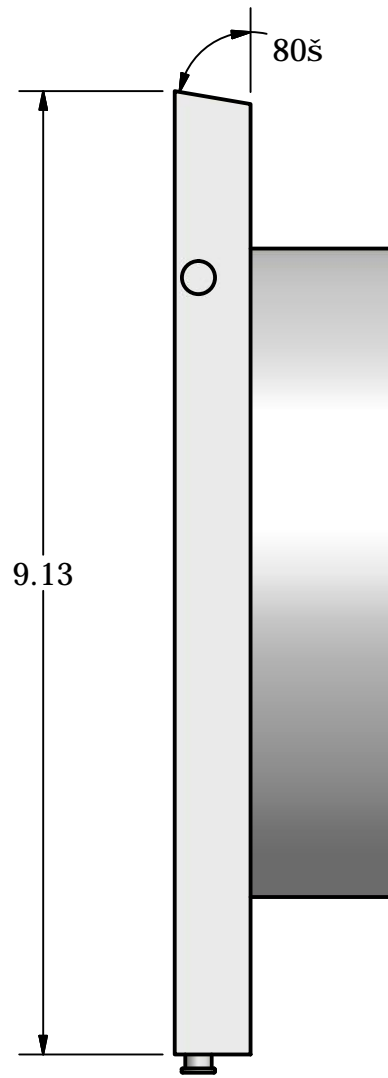
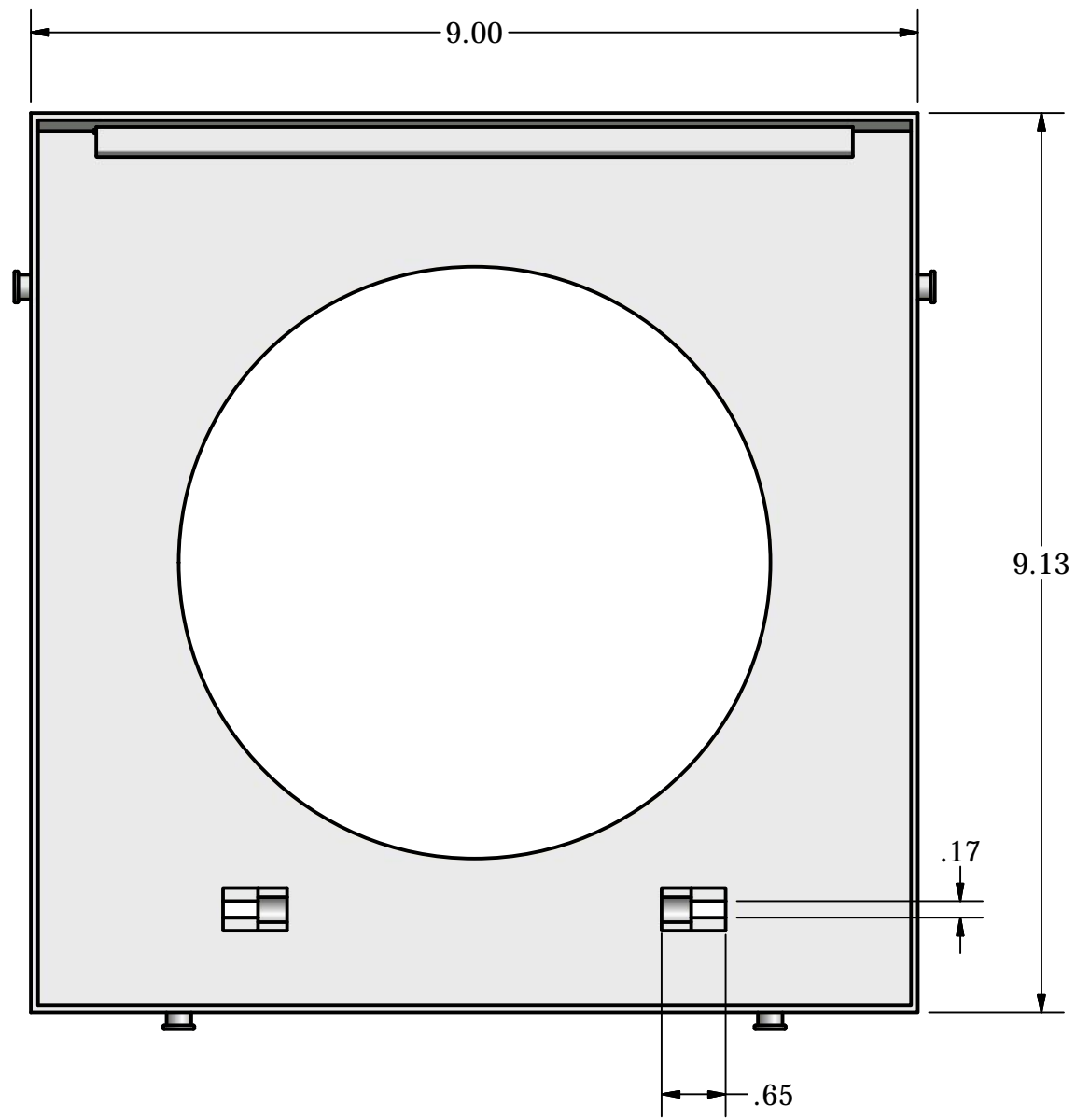
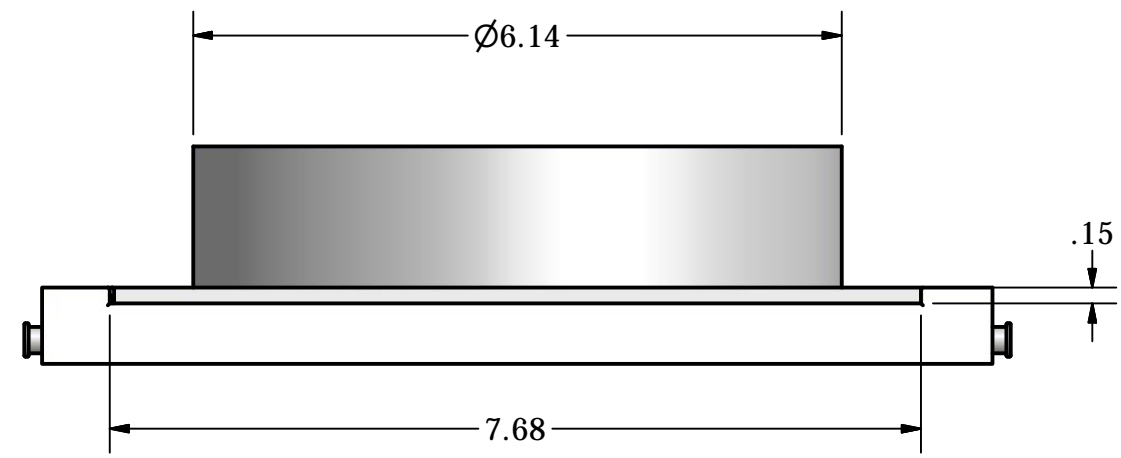
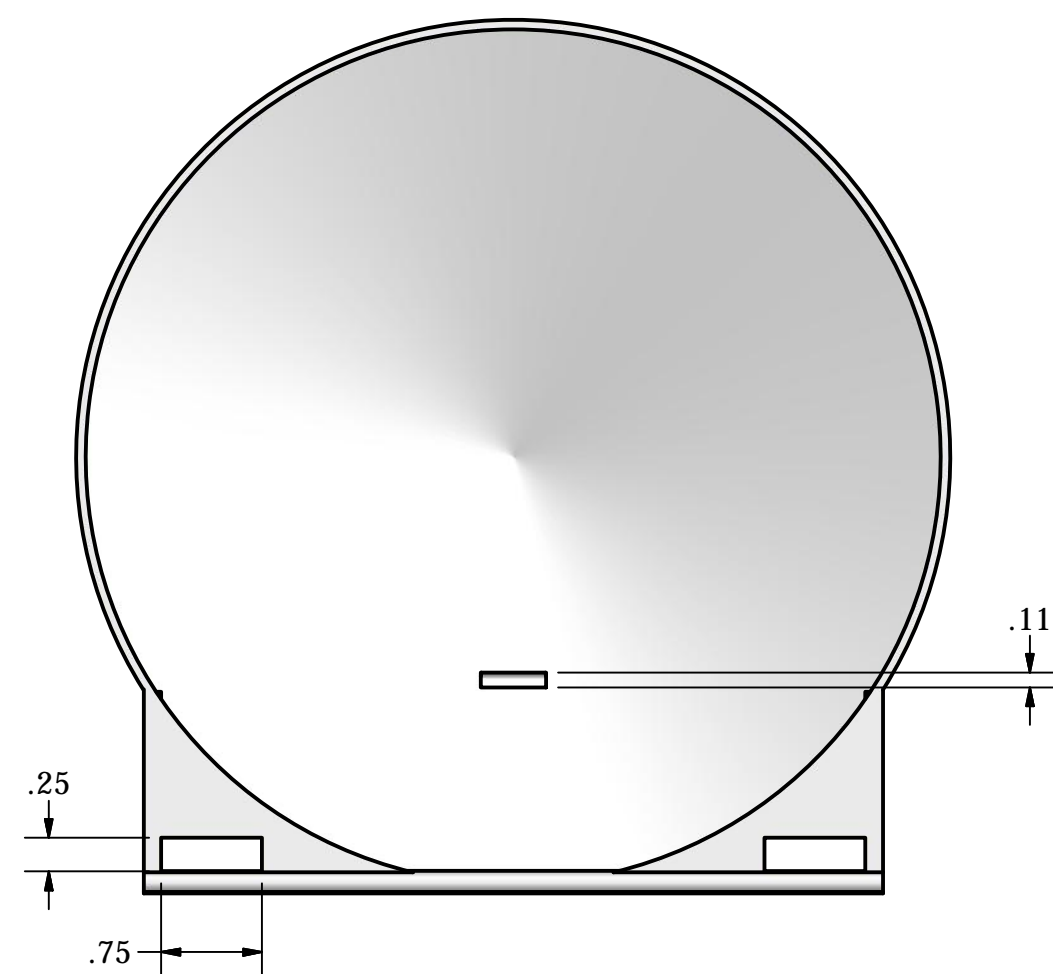
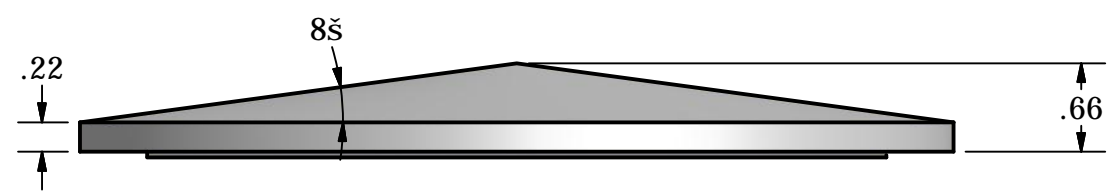
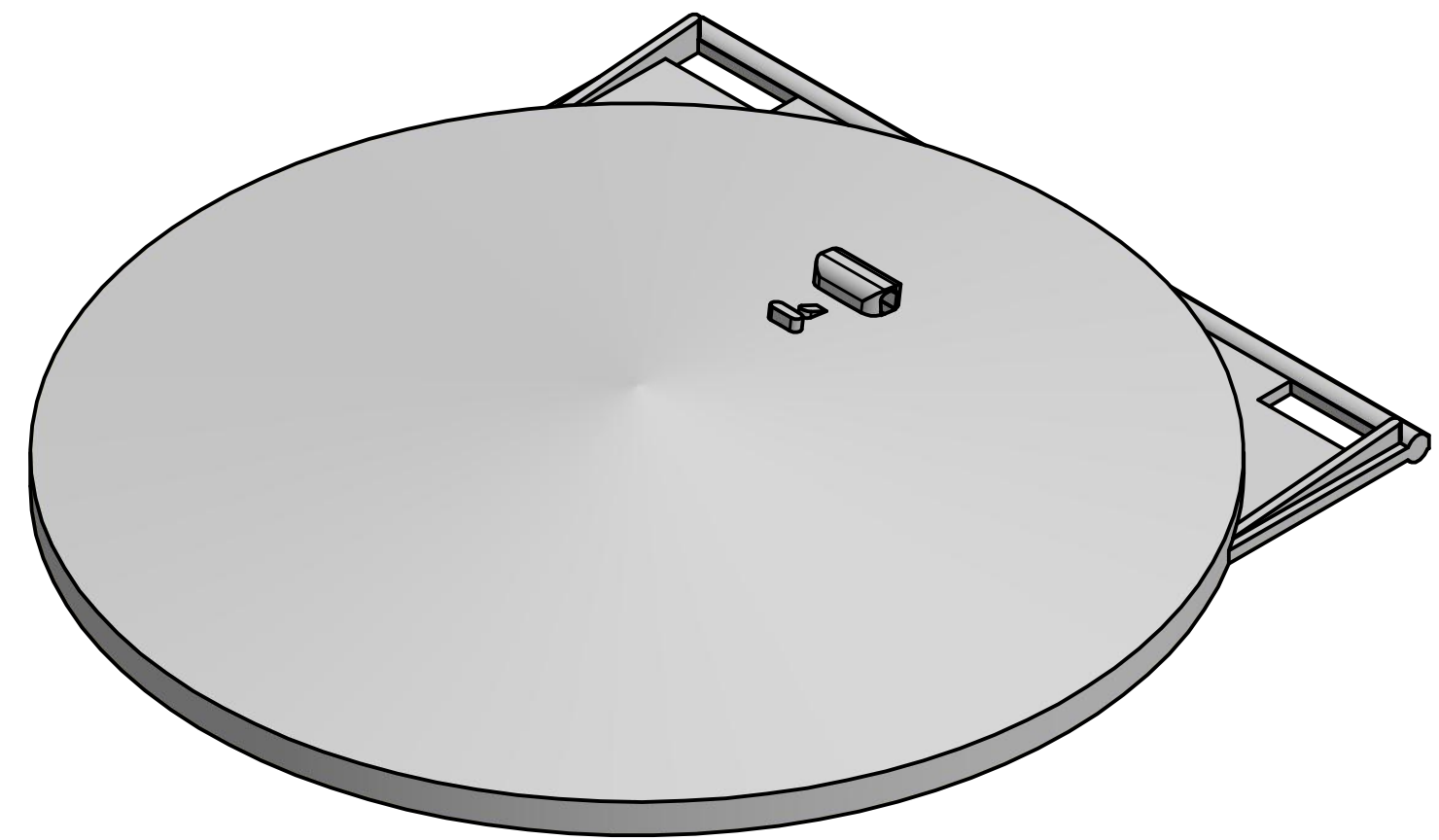
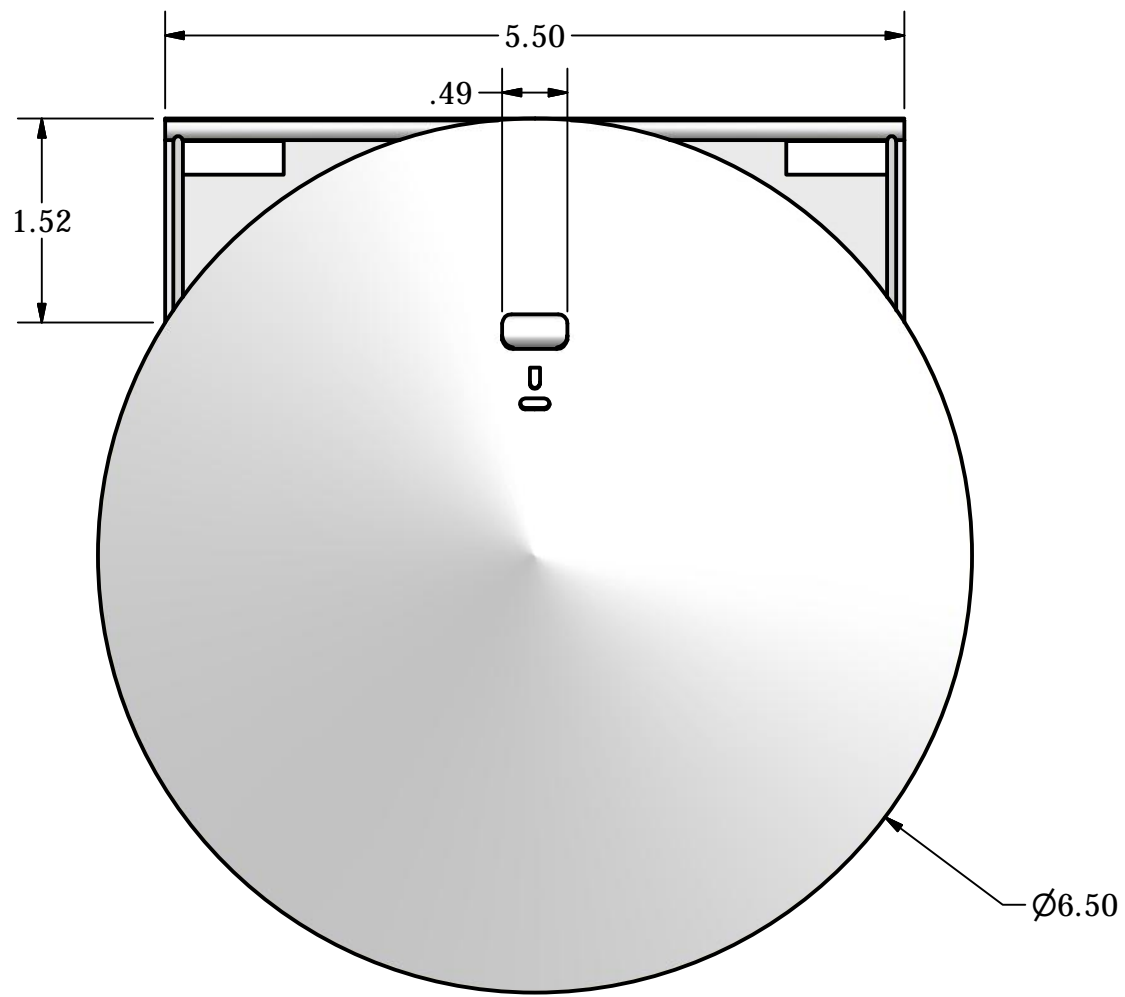


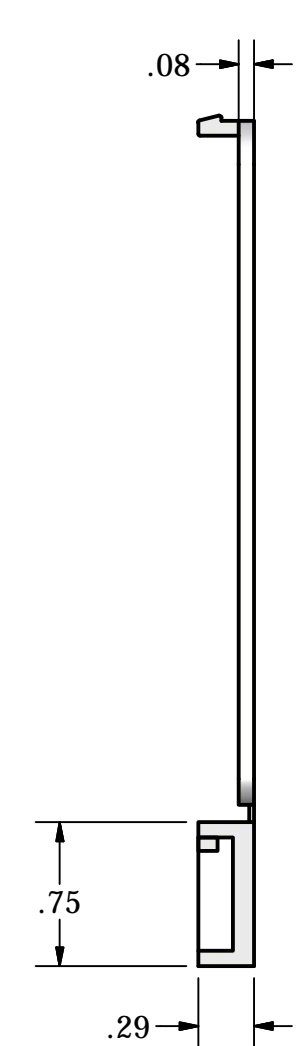
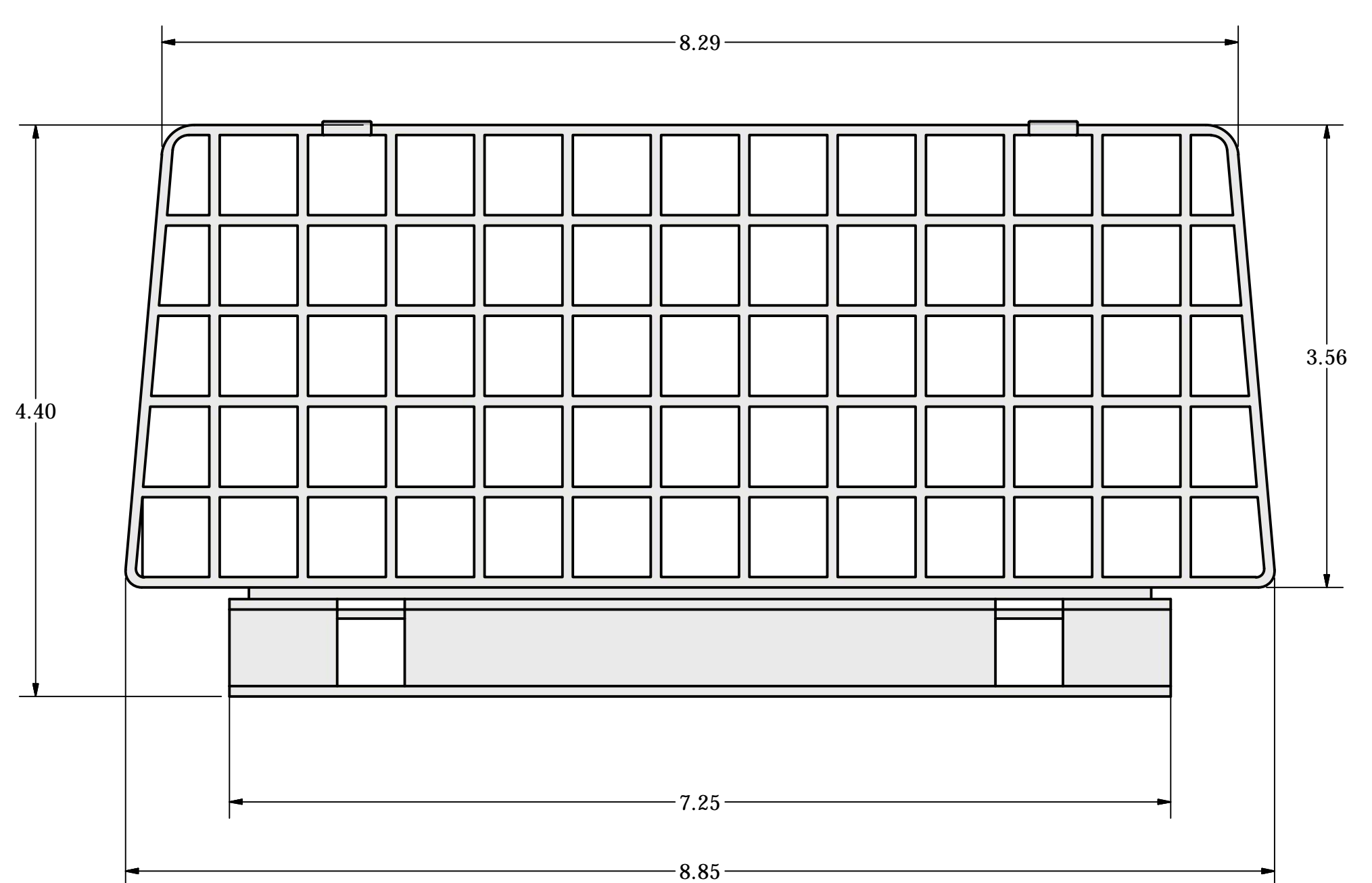
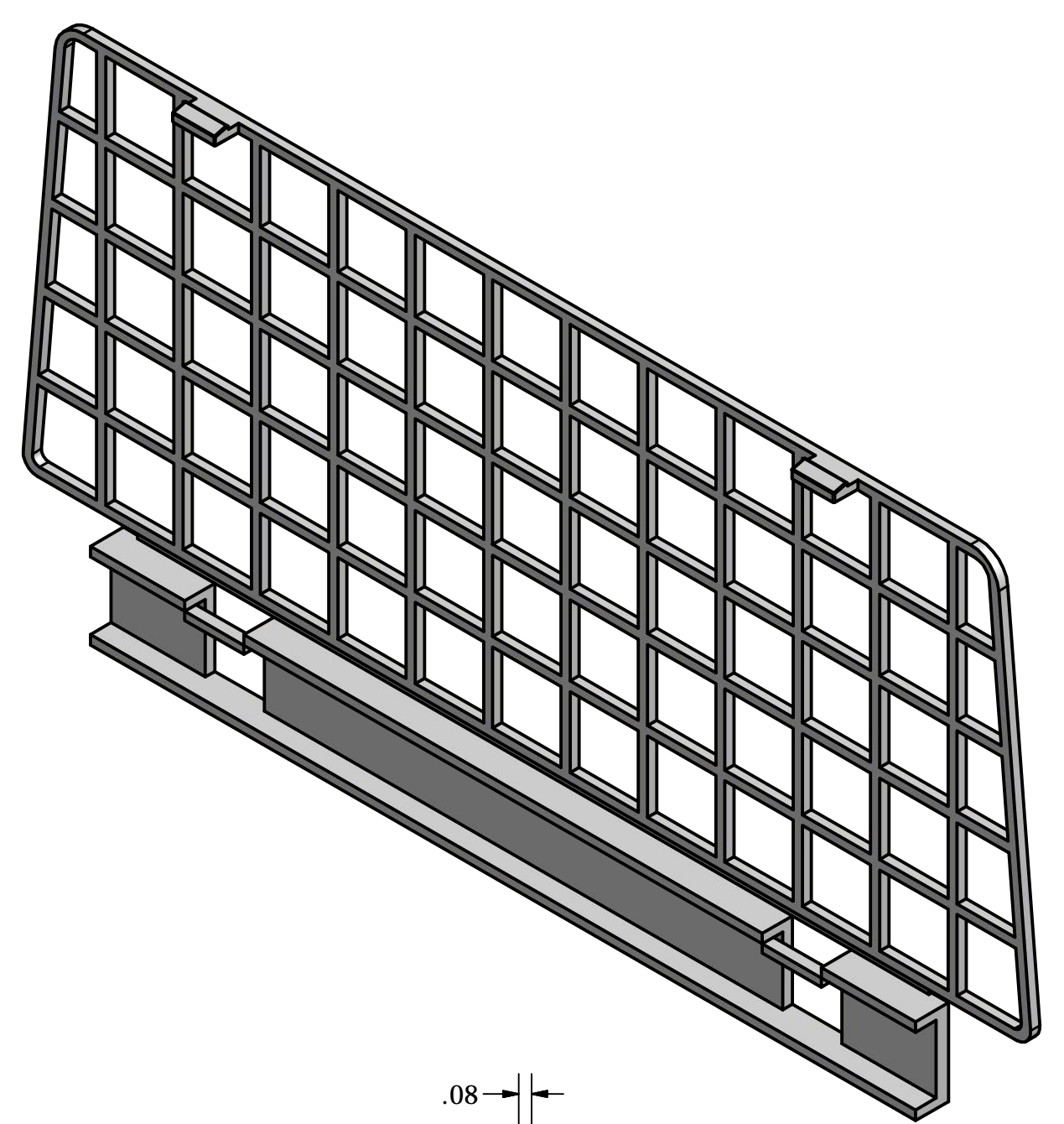
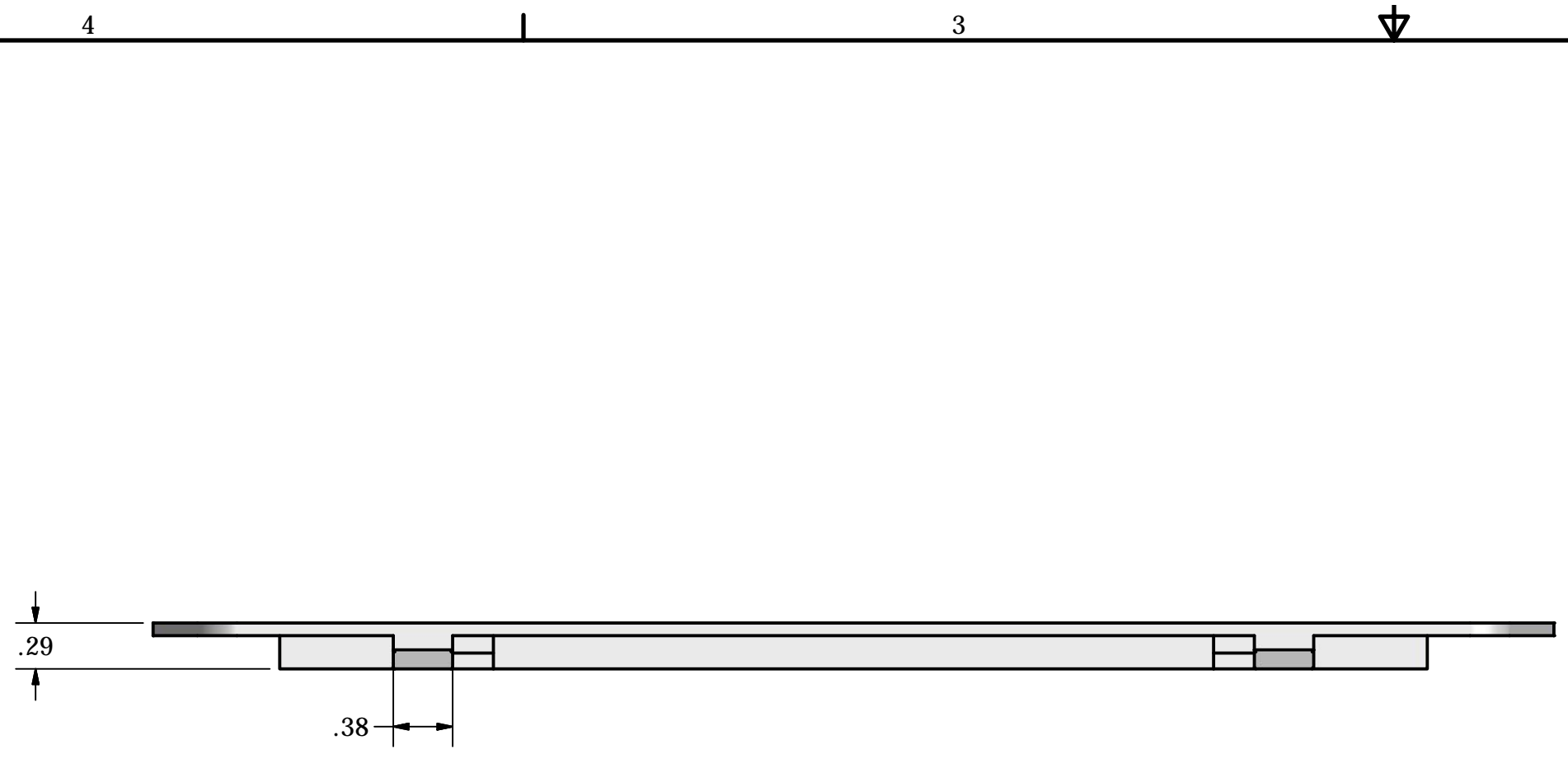
DRAWN GEORGE AWAD	7/11/2013	LAMBRO		
CHECKED		TITLE		
QA		6" Wall Cap		
MFG		SIZE	DWG NO	REV
APPROVED		C	351W	
		SCALE	SHEET 1 OF 1	



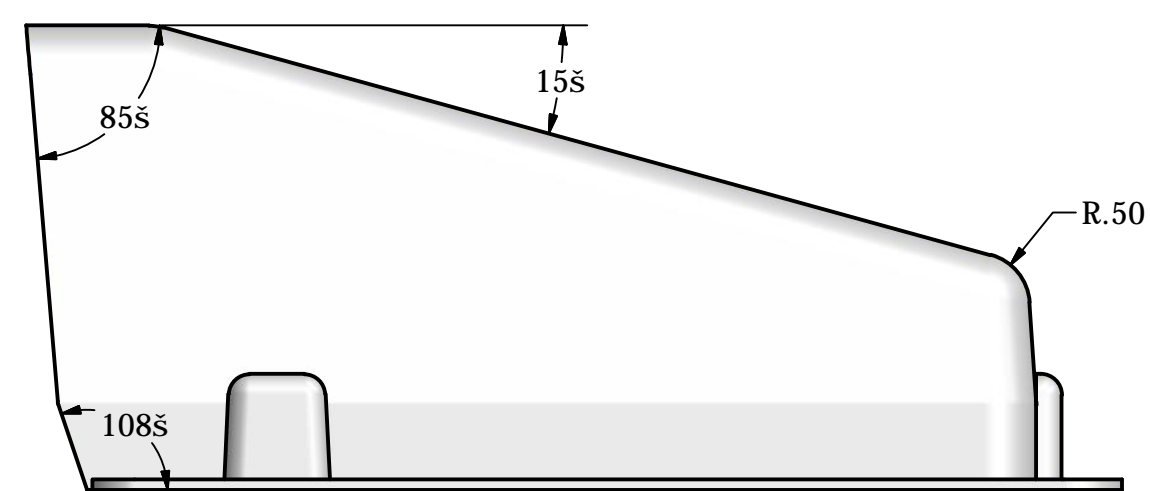
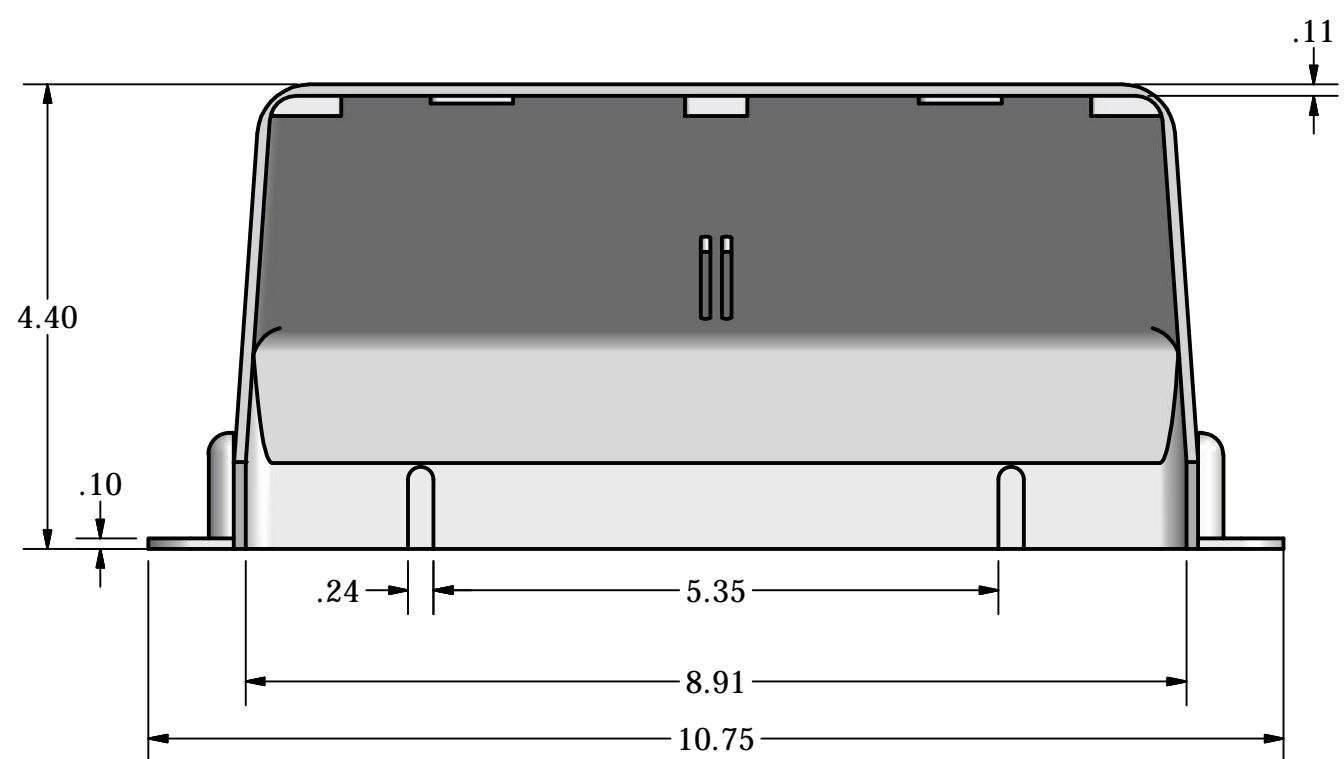
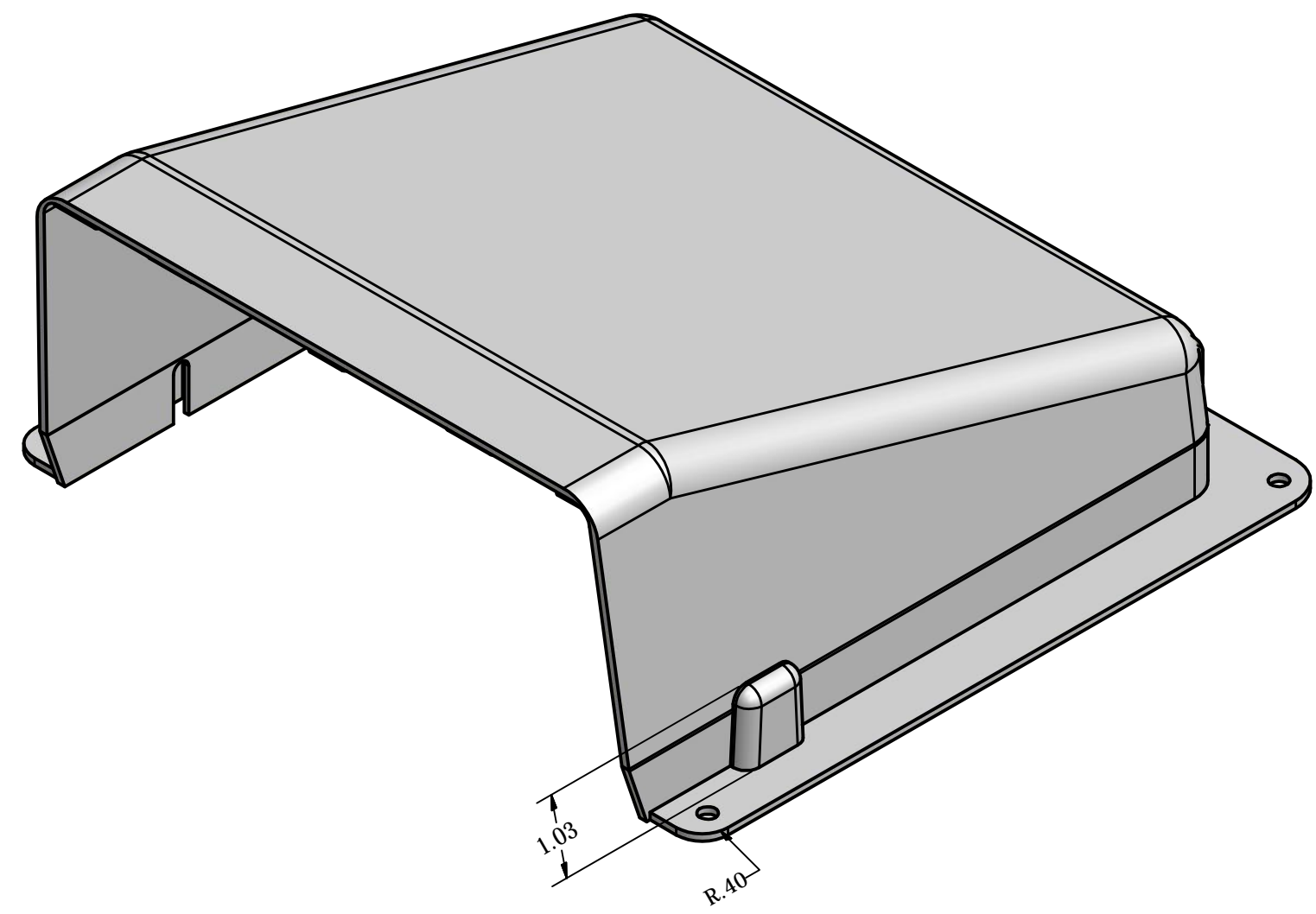
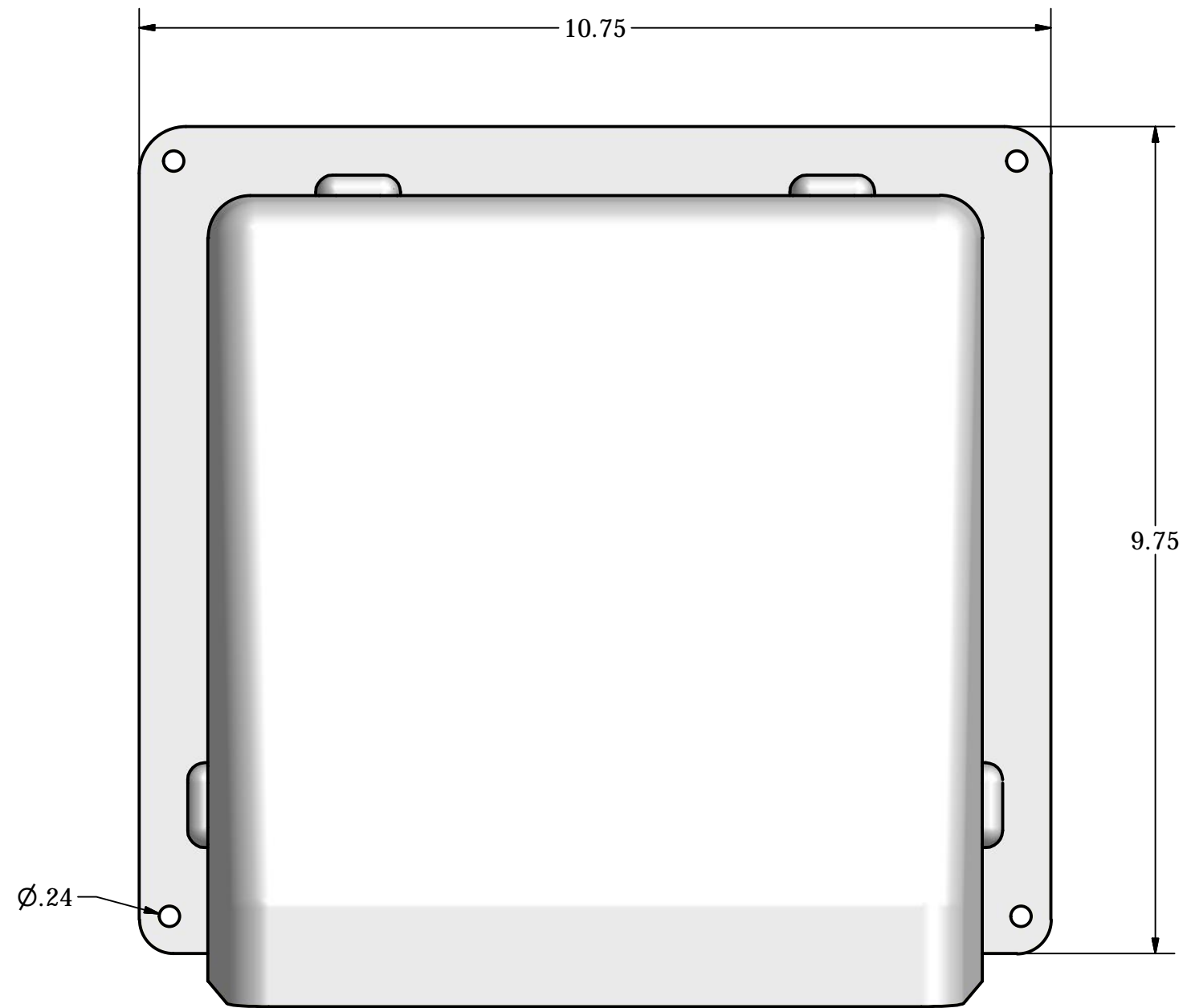
DRAWN GEORGE AWAD	6/25/2013	LAMBRO		
CHECKED		TITLE		
QA		6" Wall Cap - Base		
MFG		SIZE C	DWG NO 00351WA02	REV
APPROVED		SCALE	SHEET 1 OF 1	



DRAWN GEORGE AWAD	6/25/2013	LAMBRO		
CHECKED		TITLE		
QA		6" Wall Cap - Flap		
MFG		SIZE	DWG NO	REV
APPROVED		C	00351WA04	
		SCALE	SHEET 1 OF 1	



DRAWN GEORGE AWAD	6/25/2013	LAMBRO		
CHECKED		TITLE		
QA		6" Wall Cap - Screen		
MFG		SIZE	DWG NO	REV
APPROVED		C	00351WA03	
		SCALE	SHEET 1 OF 1	



DRAWN GEORGE AWAD	7/11/2013	LAMBRO		
CHECKED		TITLE		
QA		6" Wall Cap - Top		
MFG		SIZE C	DWG NO 00351WA01	REV
APPROVED		SCALE	SHEET 1 OF 1	