

FLOOR DRAIN

864 SERIES

LittleMax™

SPECIFICATION

Sioux Chief 864 Series LittleMax floor drain shall be used where necessary in drainage systems. Drain shall have a removable strainer rim / clamping collar for use in above grade areas. Sch. 40 hub connection shall conform to ASTM D2665 or D2661. Strainer shall meet all applicable load requirements for intended use.

MATERIALS

Drain body: PVC or ABS
 Rim/collar: ABS
 Strainer: ABS
 thread inserts: brass

STRAINER LOAD RATING

2,000 lbs.

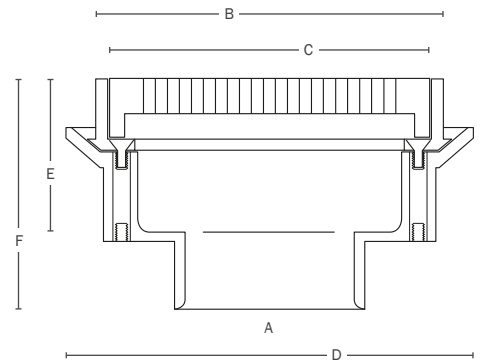
STRAINER FREE-AREA

16.91 in²

DIMENSIONS

A: Connection	2", 3", 4" Sch. 40 hub
B: Rim/collar diameter	7 ¹ / ₄ "
C: Strainer diameter	6 ⁵ / ₈ "
D: Flange diameter	8 ¹ / ₂ "
E: Sump depth	3 ¹ / ₈ "
F: Overall height	
2" drain	4 ¹ / ₄ "
3" drain	4 ⁷ / ₈ "
4" drain	5 ¹ / ₈ "

ITEM # SUBMITTED	_____
JOB NAME	_____
LOCATION	_____
ENGINEER	_____
CONTRACTOR	_____
PO#	_____ TAG _____



Create Item Number

864-ABC

e.g. **864-3PTU**: 3" Sch. 40 hub PVC floor drain with tapped trap primer port and SS debris basket

A CONNECTION

- 2 2" Sch. 40 hub
- 3 3" Sch. 40 hub
- 4 4" Sch. 40 hub

B MATERIAL

- A ABS
- P PVC

C OPTIONS

- V Vandal-resistant strainer screws
- T Tapped trap primer port 1/2" FIP
- S PVC sand bucket
- U Stainless steel debris basket
- 2 Open-half strainer¹
- 3 Open-quarter strainer¹
- X Less strainer¹

¹ Full PVC strainer with lift handle is standard

ACCESSORIES

- 864-GP PVC strainer with lift handle
- 864-S PVC sand bucket
- 864-UM Stainless steel debris basket
- 863-FA 4" Aluminum funnel - round
- 863-FN 4" Nick-Brz funnel - round
- 863-FNO 4x9" Nik-Brz funnel - oval