

Product information presented here reflects conditions at time of publication. Consult factory regarding discrepancies or inconsistencies.

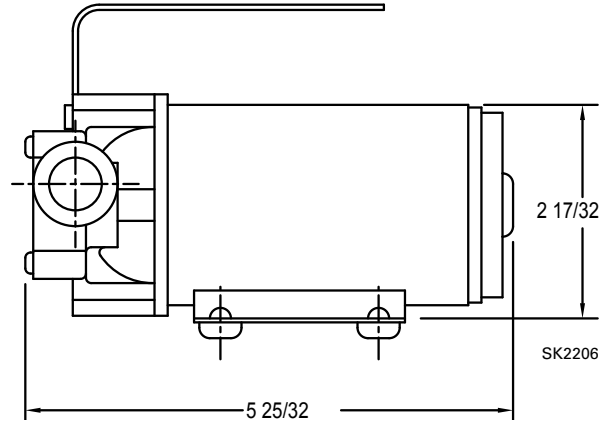
PUMP COMPANY

Zoeller Family of Water Solutions™

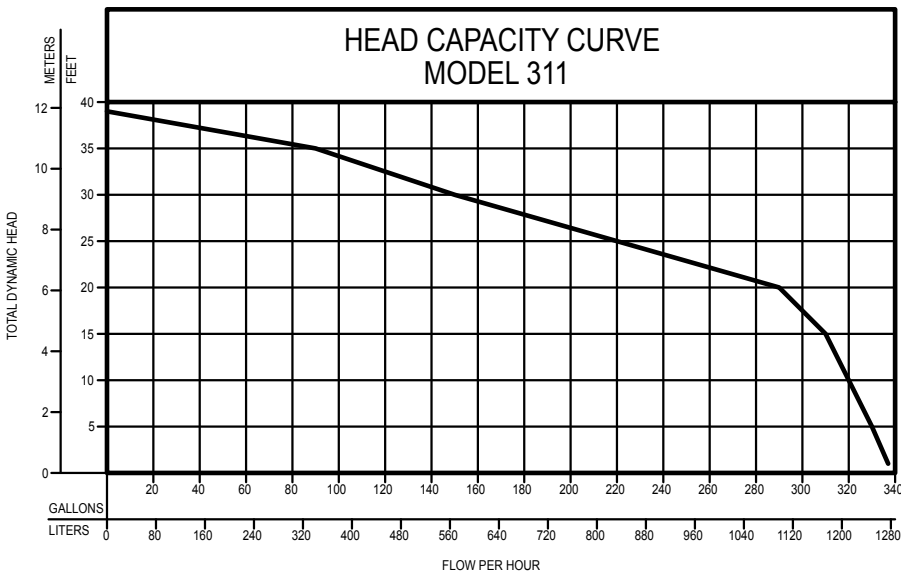
TECHNICAL DATA SHEET
MIGHTY MOVER SERIES
Model 311 Non-Submersible Utility Pump
For Use in Dewatering Applications.

PRODUCT SPECIFICATIONS

MOTOR	Voltage	115
	Phase	1 Ph
	Hertz	60 Hz
	Amps	2.3
PUMP	Operation	Nonautomatic
	Discharge Size	Garden hose
	Cord Length	6' (2 m) standard
	Cord Type	Grounded plug
	Max. Head	39' (11.9 m)
	Max. Flow Rate	337 GPH (1276 LPH)
	Max. Operating Temp.	130° F (54° C) water, 104° F (40° C) air
	Cooling	Air
	Weight	8 lbs (4 kg)



Replacement Impeller/Gasket Kit P/N 015391



**TOTAL DYNAMIC HEAD
FLOW PER HOUR**

MODEL		311	
Feet	Meters	Gal.	Liters
1	0.3	337	1276
5	1.5	330	1249
10	3.0	320	1211
15	4.6	310	1173
20	6.1	290	1098
25	7.6	220	833
30	9.1	150	568
35	10.7	90	341
Shut-off Head:		39 ft. (11.9m)	

SK2176b



Certified to CSA Standard
C222 No. 108