



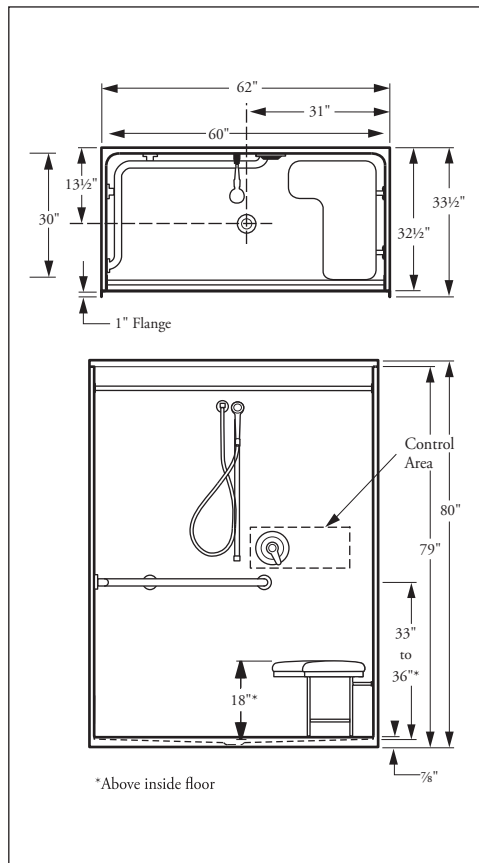
ADA  
COMPLIANT\*

CALIFORNIA  
ADA  
COMPLIANT\*

**Note:** Units sold in CA

**DO NOT** come with a slide bar.

Instead a stationary wall hook  
will be installed per CA-ADA  
requirements (2008).



**Specify Right or Left Hand Seat**

**Dimensions may vary  $\pm$  1/4" inch.  
Please check unit before installation.**

For barrier-free installation, contractor shall provide 5/8" minimum recess for curb in sub floor.

ADA compliance when accessories installed by manufacturer.  
**Note: Exterior floor drain for water run-off recommended.**  
Symmons® is a Registered Trade Mark of Symmons Industries, Inc.  
Moen® is a Registered Trade Mark of Moen Corporation.

Dimensions subject to  
change without notice.

Contact Florestone  
Products to verify  
product specifications.

**Florestone  
Model 35-62H  
Barrier-Free Shower**

O.D. = 62" x 34" x 80"

I.D. = 60" x 31 1/2" x 79"

Weight: 280 lbs.

**Architect's  
Specifications**

Furnish and install one-piece gel-coated fiberglass shower stall Model 35-62H designed for barrier-free use as manufactured by Florestone Products Company. Basic shower will conform to ANSI-Z-124.2 and the accessorized module to ANSI-A-117.1. Unit to include stainless steel curtain rod; Symmons® pressure balance mixing valve with concealed check stops; Moen® hand-held shower head with hose and stainless steel slide bar/grab bar; stainless steel corner grab bar; stainless steel recessed soap dish; white naugahyde folding wheelchair transfer seat (specify right or left hand).

Supplied with 2" brass drain.

Shower curtain optional.

Curtain Size: 72" x 78".

Standard Color: White.

Special order colors available.

**Standards:**

I.A.P.M.O. File No. 0687

ANSI-Z-124.2 & ANSI-A-117.1

CA-TITLE-24



**FLORESTONE PRODUCTS CO., INC.**

2851 Falcon Drive • Madera, CA 93637

T. 559.661.4171 • T. 800.446.8827

F. 559.661.2070 • florestone.com