

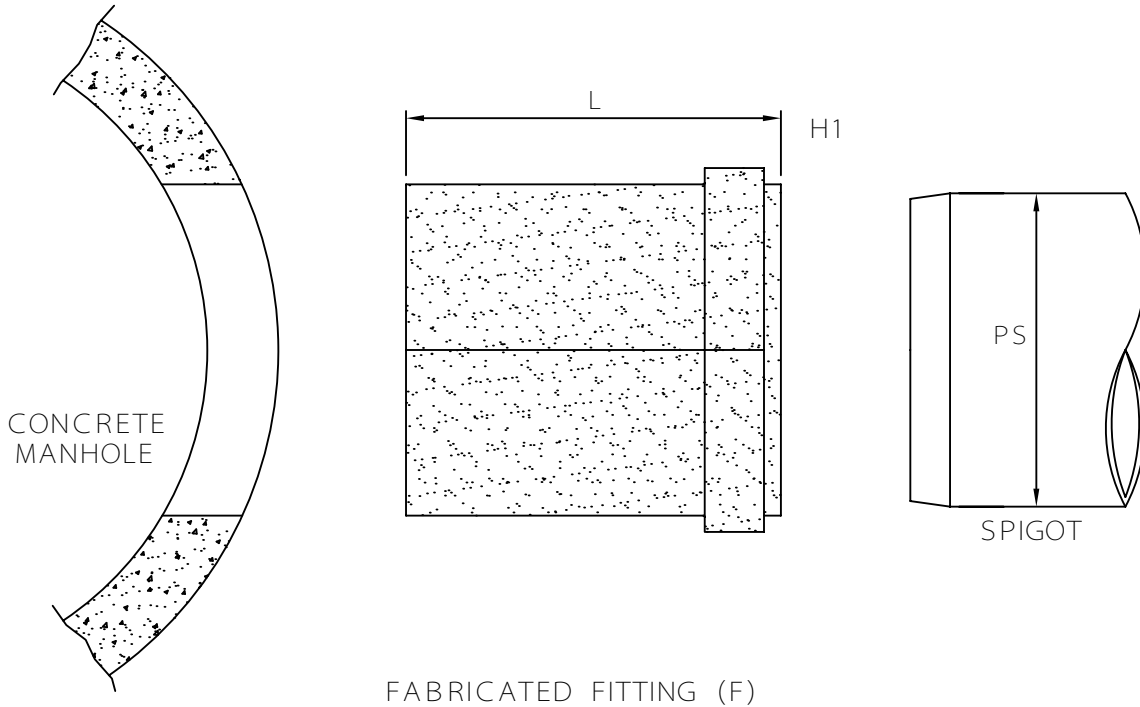


MULTI FITTINGS

# LAYING LENGTH

ISSUE DATE: OCT 30/17  
SUPERCEDES: MAR 11/05

## MANHOLE ADAPTER WITHOUT STOP (SAND COATED)



	SIZE H1	PART NUMBER	L REF	PS SEWER
F @	4	063060	7.000	4.215
F / M =	6	063061	7.500	6.275
F @	8	063063	7.000	8.400
F @	10	063064	7.000	10.500
F @	12	063065	7.000	12.500
F @	15	063062	7.000	15.300
F @	18	063066	9.500	18.701
F @	21	063543	10.250	22.047
F @	24	063068	12.000	24.803
F @	27	063591	12.500	27.953

Note: = Refer to Page G4 for Hub Detail, Type A  
@ Refer to Page G5 for Hub Detail, Fabricated