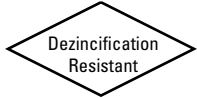


# Bronze Ball Valves

Three-Piece Body • Conventional Port • Grooved Ends •  
316SS Trim • Blowout-Proof Stem • Vented Ball



**600 PSI/41.4 bar non-shock cold working pressure**

CONFORMS TO MSS SP-110

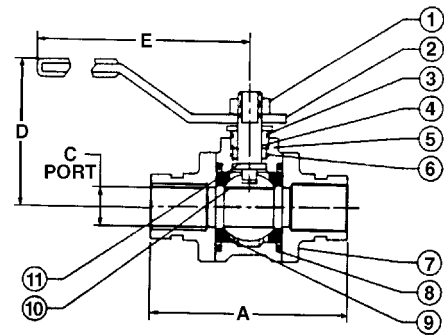
## MATERIAL LIST

PART	SPECIFICATION
1. Handle Nut	Stainless Steel 300 Series
2. Handle	Zinc Plated Steel Clear Chromate Plastisol Coated
3. Threaded Pack Gland	Brass ASTM B 16 Alloy C36000
4. Stem	Stainless Steel ASTM A 276 Type 316
5. Body	Bronze ASTM B 584 Alloy C84400
6. Packing	PTFE
7. Body End (2)	Bronze ASTM B 584 Alloy C84400
8. O-Ring Seal (2)	Fluorocarbon Rubber
9. Seat Ring (2)	PTFE
10. Ball (Vented)	Stainless Steel ASTM A 276 Type 316 or ASTM A 351 Type CF8M
11. Thrust Washer	Reinforced PTFE
12. Body Bolts	Zinc Dichromate Plated Steel ASTM A 449 Grade 5
13. Body Nuts	Zinc Dichromate Plated Steel ASTM A 449 Grade 5

Note: valves are static grounded by a grounding washer. (not shown)

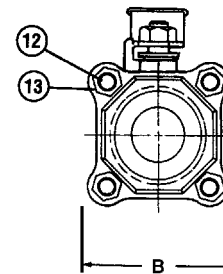


**G-590-Y-66**  
Grooved



## DIMENSIONS—WEIGHTS—QUANTITIES

Size	Dimensions						G-590-Y-66		Master	
	A	B	C	D	E	Lbs.	Kg.	Ctn.	Qty.	
In. mm.	In. mm.	In. mm.	In. mm.	In. mm.	In. mm.					
1½ 40	5.37 144	2.37 68	1.25 32	2.75 70	6.69 170	4.20	1.91	10		
2 50	5.87 149	3.00 76	1.50 38	2.97 75	6.69 170	6.14	2.79	10		
2½ 65	6.64 169	4.00 102	2.00 51	3.62 92	6.69 170	10.80	4.91	4		
3 80	7.78 198	5.00 127	2.50 64	4.09 104	6.69 170	19.01	8.64	2		



**G-590-Y-66**  
GRVD x GRVD

Visit our website for the most current information.