



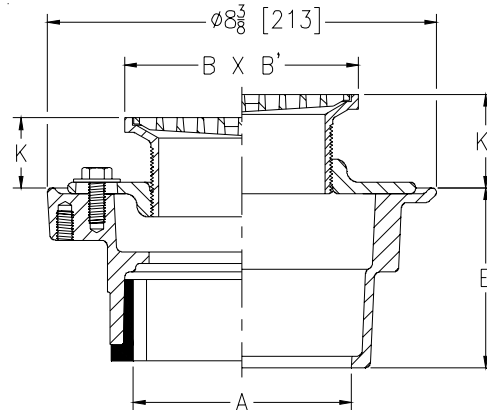
Z415S

BODY ASSEMBLY W/ "TYPE S" STRAINER

SPECIFICATION SHEET

TAG _____

Dimensional Data (inches and [mm]) are Subject to Manufacturing Tolerances and Change Without Notice



Dimensions In Inches						Approx. Wt. Lbs. [kg]	Strainer Open Area Sq. In. [cm ²]
A - Pipe Size	B x B' Strainer Top Size	K		K'			
		Min.	Max.	Min.	Max.		
2-3 [51-76]	5 x 5 [127 x 127]	1 [25]	1-19/32 [40]	1-1/4 [32]	2-3/8 [60]	12 [5]	9 [58]
2-3-4 [51-76-102]	6 x 6 [152 x 152]	1 [25]	1-27/32 [47]	1-13/32 [36]	2-19/32 [66]	13 [6]	13 [84]
2-3-4 [51-76-102]	7 x 7 [178 x 178]	1 [25]	1-7/8 [48]	1-3/8 [35]	2-5/8 [67]	14 [6]	21 [135]
3-4 [76-102]	8 x 8 [203 x 203]	1-3/32 [28]	1-7/8 [48]	1-3/4 [44]	2-5/8 [67]	15 [7]	28 [181]
6 [152]	9 x 9 [229 x 229]	1-3/32 [28]	1-7/8 [48]	1-3/4 [44]	2-5/8 [67]	19 [9]	28 [181]
6 [152]	10 x 10 [254 x 254]	1-3/32 [28]	1-7/8 [48]	1-3/4 [44]	2-5/8 [67]	21 [10]	28 [181]

ENGINEERING SPECIFICATION: ZURNZN415S

Floor and shower drain, Dura-Coated cast iron body with bottom outlet, combination invertible membrane clamp and adjustable collar with seepage slots and "TYPE S" polished nickel bronze, square heel-proof, light-duty strainer.

OPTIONS (Check/specify appropriate options)

PIPE SIZE

- 2 thru 4 [51 thru 102]
- 2 thru 4 [51 thru 102]
- 2 [51]
- 3 [76]
- 4 [102]
- 6 [152]
- 2 thru 4 [51 thru 102]
- 2 thru 4 [51 thru 102]

(Specify size/type) **OUTLET**

- _____ IC Inside Caulk
- _____ IG Inside Gasket
- _____ IP Threaded
- _____ IP Threaded
- _____ IP Threaded
- _____ IP Threaded
- _____ NH No-Hub
- _____ NL Neo-Loc

'E' BODY HT. DIM.

- 3-7/8 [98]
- 3-7/8 [98]
- 2-3/8 [60]
- 2-5/8 [67]
- 2-7/8 [73]
- 2-3/4 [70]
- 3-7/8 [98]
- 3-3/4 [95]

PREFIXES

- _____ ZB D.C.C.I. Body Assembly w/ Polished Bronze Top
- _____ ZN D.C.C.I. Body Assembly w/ Polished Nickel Bronze Top*

SUFFIXES

- | | |
|---|---|
| <ul style="list-style-type: none"> _____ -AR Acid Resisting Epoxy Coated Cast Iron _____ -CP Chrome-Plated Top _____ -DC Debris Cover (Field Assembled) _____ -DP Decorative Polished Top _____ -EF 3/8 [10] Extension Frame _____ -G Galvanized Cast Iron _____ -HD Heavy-Duty Grate (ZN 6 x 6 [152 x 152] Only) _____ -P Trap Primer Connection (Specify 1/2 [13] or 3/4 [19]) _____ -PD Prom-Deck Top (8 x 8 [203 x 203] Only) _____ -SA Stabilizer Assembly (See Z1035) _____ -SQ Stabilizer Q-Deck (See Z1035-Q) _____ -SR Stabilizer Ring | <ul style="list-style-type: none"> _____ -TC Neo-Loc Test Cap Gasket (2 [51] - 4 [102] NL Outlet Only) _____ -U 1 - 3 [25 - 76] High Extension Adapter _____ -V Backwater Valve _____ -VP Vandal-Proof Secured Top _____ -Y Sediment Bucket _____ -18 Leveling Ring (See Z400-18) _____ -90 90° Threaded Side Outlet Body Assembly (2 [51], 3 [76] Only) |
|---|---|

*REGULARLY FURNISHED UNLESS OTHERWISE SPECIFIED

REV. N	DATE: 11/15/10	C.N. NO. 120426
DWG. NO. 58803	PRODUCT NO. Z415S	

ZURN INDUSTRIES, LLC ♦ SPECIFICATION DRAINAGE OPERATION ♦ 1801 Pittsburgh Ave. ♦ Erie, PA 16514

Phone: 814/455-0921 ♦ Fax: 814/454-7929 ♦ World Wide Web: www.zurn.com

In Canada: ZURN INDUSTRIES LIMITED ♦ 3544 Nashua Drive ♦ Mississauga, Ontario L4V1L2 ♦ Phone: 905/405-8272 Fax: 905/405-1292