

17" x 30" BOX ASSEMBLY

12" to 30" DEPTHS



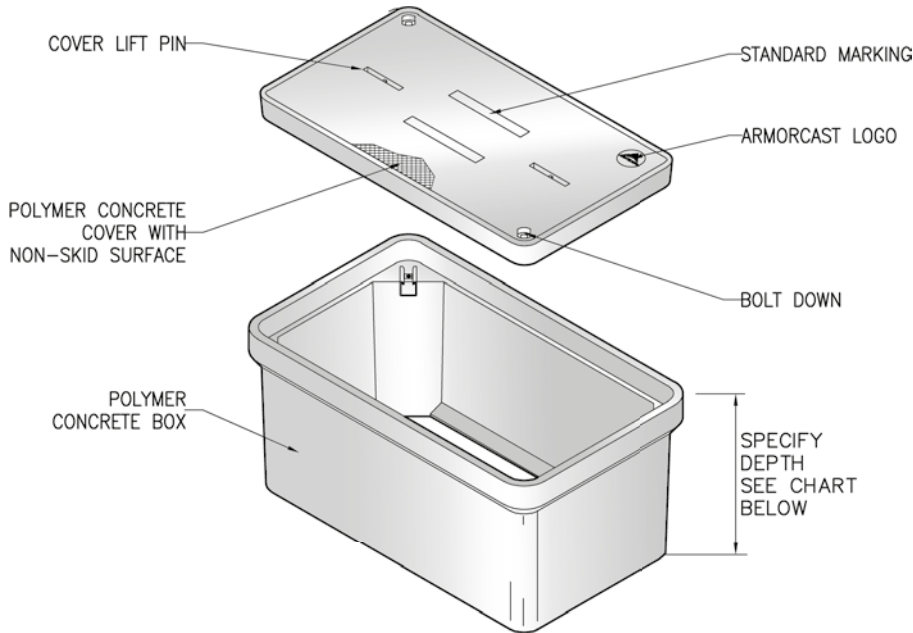
POLYMER CONCRETE

ARMORCAST PRODUCTS COMPANY

A6001640



FILE #E364252



17"W x 30"L BOX ASSEMBLIES Specify Depth Below

DESCRIPTION	NOMINAL SIZE W x L x D	LOAD RATING	ANSI TIER	PART NUMBER	APPROX. WEIGHT	PALLET QTY.
Box & Cover Assembly	17" x 30" x 12"	10K	8	A6001640APCX12	114 lbs.	12
	17" x 30" x 12"	20K	15 / 22	A6001640TAPCX12 / A6001640HDAPCX12	140 lbs.	12
Box & Cover Assembly	17" x 30" x 18"	10K	8	A6001640APCX18	140 lbs.	6
	17" x 30" x 18"	20K	15 / 22	A6001640TAPCX18 / A6001640HDAPCX18	166 lbs.	6
Box & Cover Assembly	17" x 30" x 22"	10K	8	A6001640APCX22	154 lbs.	6
	17" x 30" x 22"	20K	15 / 22	A6001640TAPCX22 / A6001640HDAPCX22	180 lbs.	6
Box & Cover Assembly	17" x 30" x 24"	10K	8	A6001640APCX24	165 lbs.	6
	17" x 30" x 24"	20K	15 / 22	A6001640TAPCX24 / A6001640HDAPCX24	190 lbs.	6
Box & Cover Assembly	17" x 30" x 28"	10K	8	A6001640APCX28	184 lbs.	3
	17" x 30" x 28"	20K	15 / 22	A6001640TAPCX28 / A6001640HDAPCX28	210 lbs.	3
Box & Cover Assembly	17" x 30" x 30"	10K	8	A6001640APCX30	191 lbs.	3
	17" x 30" x 30"	20K	15 / 22	A6001640TAPCX30 / A6001640HDAPCX30	221 lbs.	3

COMPONENTS

MORE COVER VARIATIONS ARE AVAILABLE IN OUR "COVER SECTION"

DESCRIPTION	NOMINAL SIZE W x L x D	LOAD RATING	ANSI TIER	PART NUMBER	APPROX. WEIGHT	PALLET QTY.
Replacement Covers	17" x 30"	10K	8	A6001643	44 lbs.	30
	17" x 30"	20K	15 / 22	A6001947T / A6001947HD	70 lbs.	30
Replacement Boxes	17" x 30" x 12"	10K / 20K	22	A6001640PCX12	70 lbs.	12
	17" x 30" x 18"	10K / 20K	22	A6001640PCX18	96 lbs.	6
	17" x 30" x 22"	10K / 20K	22	A6001640PCX22	110 lbs.	6
	17" x 30" x 24"	10K / 20K	22	A6001640PCX24	121 lbs.	6
	17" x 30" x 28"	10K / 20K	22	A6001640PCX28	140 lbs.	3
	17" x 30" x 30"	10K / 20K	22	A6001640PCX30	151 lbs.	3

- Boxes are Open Bottom and Stackable, also available with Solid Bottoms.
- For sizes not shown please contact Armorcast Products for more information.

THIS PRODUCT IS LISTED TO APPLICABLE UL STANDARDS AND REQUIREMENTS BY UL.

www.armorcastprod.com

Tel: (818) 982-3600 Fax: (818) 982-7742



ARMORCAST PRODUCTS COMPANY

17" x 30" BOX ASSEMBLY

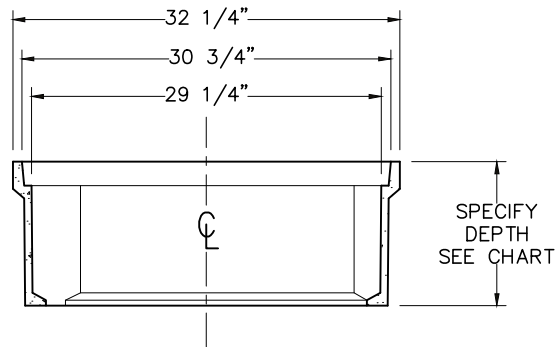
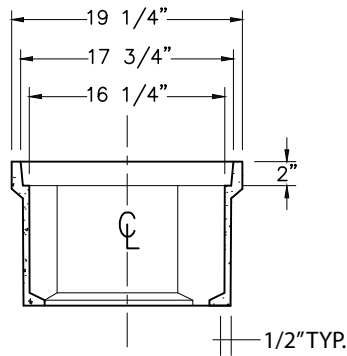
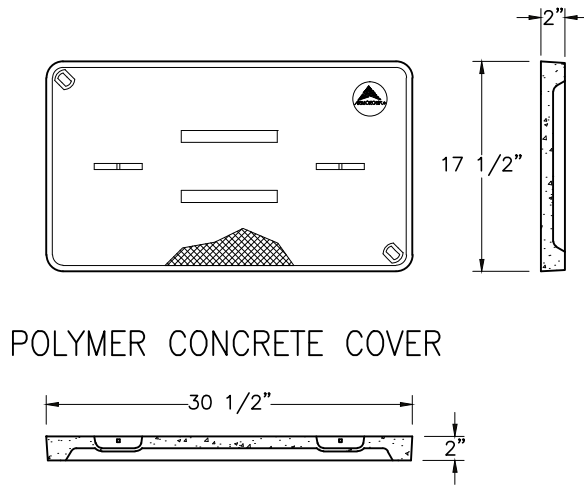
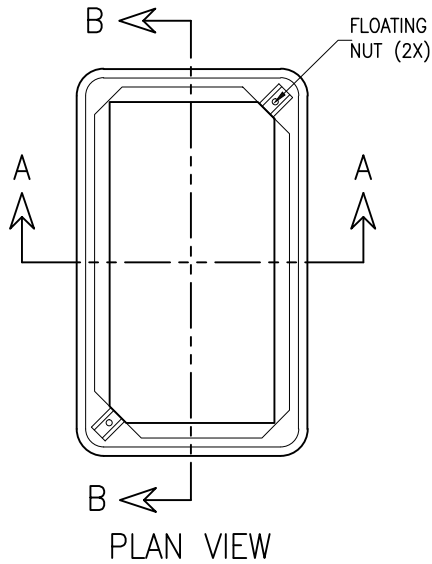
STANDARD DIMENSIONS

POLYMER CONCRETE

A6001640



FILE #E364252



POLYMER CONCRETE BOXES

Armorcast Products Company reserves the right to update or discontinue product information at any time without notice.

THIS PRODUCT IS LISTED TO APPLICABLE UL STANDARDS AND REQUIREMENTS BY UL.

www.armorcastprod.com

Tel: (818) 982-3600 Fax: (818) 982-7742