



OMNI™ Coupling System

Smith-Blair's OMNI™ Coupling System utilizes the tremendous tensile strength of ductile iron to your best advantage.

Applying the principles of space age technology to engineer the OMNI pipe coupling has resulted in several advantages, including: using the proper thickness and volume of gasket rubber to provide greatly expanded range coverage; inaugurating the optimum angle at which a gasket should mate with the sleeve while improving the grip on the pipe; lighter weight and fewer parts.

Within each nominal pipe size, from 2" through 16", the nucleus of the OMNI™ Coupling System is the center sleeve. A host of interchangeable components (follower flanges, gaskets and end caps) within each nominal pipe size are compatible with the center sleeve. By selecting the proper color coded follower flanges and gaskets to exactly fit the pipe you want to join, virtually the entire range, from the smallest to the largest dimension, will be covered for either straight or transition couplings.

End caps for line testing or

permanent capping are also compatible and interchangeable with all of the other components.

In addition to these interchangeable components, which allow you to accommodate straight coupling, transition coupling, cut-in coupling and end capping, the OMNI Coupling System also has three available reduction sleeves, which utilize all of the same interchangeable components for reduction couplings between adjacent nominal pipe sizes from 2" through 8" nominal size.

Smith-Blair® OMNI™ Coupling System Advantages:

TOUGH

Tough ductile iron sleeves, follower flanges, collars and end caps provide the tremendous tensile strength and corrosion resistance necessary to withstand the punishment couplings must endure during installation and throughout their long life.

Excluding fasteners, all ferrous metal components have a standard nominal 12-16 mils thickness of fusion bonded epoxy coating for maximum corrosion protection.

ECONOMICAL

The economy of interchangeable follower flanges and gaskets to fit a

single sleeve, within each nominal pipe size, allows you to reduce your inventory and yet be able to provide full service for the many jobs you are required to perform.

OMNI couplings are quick and easy to install, provide for pipe misalignment and settlement deflection, and make a leak-resistant joint which allows for limited line movement due to expansion and contraction.

Working pressures of the couplings are comparable to the working pressures of the cast iron, asbestos-cement or other types of pipe on which they are used, and they are as

permanent as the pipeline itself.

VERSATILE

The versatile OMNI™ Coupling System enables you to do straight coupling, transition coupling, reducing coupling and end capping on virtually any type of pipe.

RESILIENT

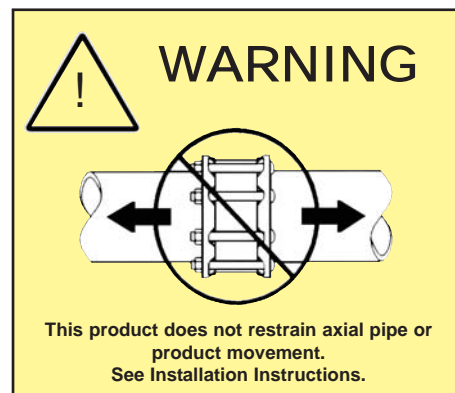
Resilient, high volume, Nitrile (Buna N) rubber gaskets provide a firm grip on the pipe and a leak-resistant seal. Most importantly, they give extra range coverage so that it takes fewer gaskets to cover the entire range. Gaskets for other fluids are available on request.

Meets AWWA C-219

● Certified to NSF®/ANSI 61-G

Pressure Rating

The Omni Coupling System is designed for a maximum pressure of 250 PSI. The actual maximum operating pressure is limited by the type and condition of the pipe, operating temperature, line contents, and installation technique. As with all products, consult the appropriate safety and engineering personnel regarding installation and piping system design.



Try It Out

See for yourself how you can fill your cast coupling needs with a small selection of color coded follower flanges and gaskets on the component selection charts on pages 12-14. You can buy complete couplings or select components you can interchange to fit the types and sizes of pipe you want to join. They are all color coded to make it easy for you.



442 Long Sleeve Cast Straight & Transition Couplings 4" through 16"

Smith-Blair 442 OMNI™ Couplings are a sensible way to reduce your stocking requirements while increasing your capability to join a wide variety of types and sizes of pipe.

442 Bolted Long Sleeve Straight and Transition Couplings fit pipe O.D. sizes within specified range extremes. All practical range variations can be accommodated with an easy selection of interchangeable color coded follower flanges and gaskets .

442 Cast Coupling Sleeves will accommodate virtually every pipe coupling application within the most commonly used nominal pipe sizes 4" through 16". These Ductile Iron sleeves combined with a small inventory of color coded follower flanges and gaskets will permit coupling various types of pipe with O.D. differences up to 2.4" in some cases.

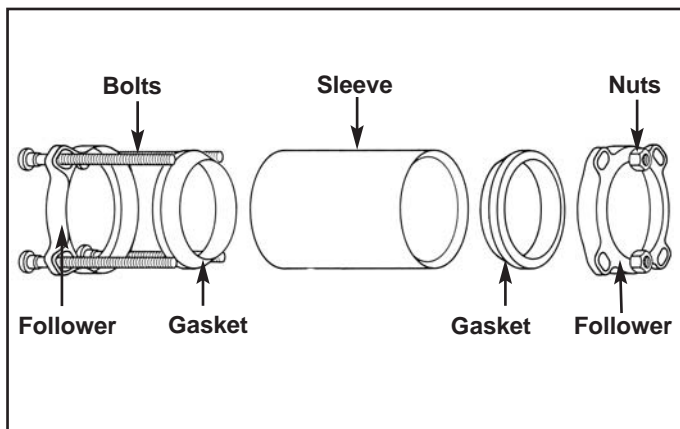
Material Specifications

- SLEEVE:** Ductile Iron ASTM A-536. Ends have smooth inside taper for uniform gasket seating.
- GASKETS:** Nitrile (Buna N) Certified to NSF®/ANSI 61-G. Compounded to produce superior storage and performance characteristics while resisting water, acids, alkalis, most (aliphatic) hydrocarbons and many other chemicals. Nominal temperature range: -20°F to 180°F. *Consult manufacturer for specific applications or other service temperatures.*
- FOLLOWER FLANGES:** Ductile Iron ASTM A-536. Designed for high strength/weight ratio. Thickness determined by coupling size.
- BOLTS & NUTS:** High strength low alloy steel bolts with heavy, semi-finished hexagon nuts to AWWA C219 (ANSI-A21.11) standards. Stainless Steel hardware available on request.
- FINISH:** Flexi-Coat®, fusion bonded epoxy per AWWA C213. Special coatings available on request. Follower flanges are color-coded.

Material Specifications are subject to change.

Features:

- **More economical** than mechanical joints.
- **Corrosion resistant**...equal to ductile iron pipe.
- **Reduces inventory.** A small inventory of color coded follower flanges and gaskets allow coupling of pipes with an O.D. difference up to 2" and over.
- **Space savers.** Bolts are close to sleeve providing easy wrapping of polyethylene or other protective materials.
- **Versatile.** Fit virtually all classes of cast iron, asbestos cement, and other types of pipe within specified range of each nominal size.



Nominal Pipe Size Inches	Catalog Number End Code (See Page 14)	O.D.** End 1 Inches	O.D.** End 2 Inches	Sleeve Length Inches	5/8" Bolt Quantity Required	Overall Bolt & Laying Length Inches	Approximate Shipping Weight Lbs.
4	442-00000415-	4.00-4.15	4.00-4.15	7	4	11	21.4
	442-00000450-	4.22-4.50	4.22-4.50				
	442-00000486-	4.46-4.86	4.46-4.86				
	442-00000510-	4.80-5.10	4.80-5.10				
	442-00000545-	5.11-5.45	5.11-5.45				
	442-04500415-	4.22-4.50	4.00-4.15				
	442-04860415-	4.46-4.86	4.00-4.15				
	442-05100415-	4.80-5.10	4.00-4.15				
	442-05100450-	4.80-5.10	4.22-4.50	12	4	15 1/2	34.0
	442-05100486-	4.80-5.10	4.46-4.86				
	442-05450415-	5.11-5.45	4.00-4.15				
	442-05450450-	5.11-5.45	4.22-4.50				
	442-05450486-	5.11-5.45	4.46-4.86				
	442-05450510-	5.11-5.45	4.80-5.10				

Type 442 Couplings will connect any two pipes within the O.D. range without changing any parts.

Suitable anchorage must be provided when excessive pipe movement could occur.

**Published ranges indicate nominal pipe outside diameters. Couplings are designed for pipes within current AWWA Standard tolerances.

See page 14 for end code description.



442 Long Sleeve Cast Straight & Transition Couplings 4" through 16"

Nominal Pipe Size Inches	Catalog Number End Code (See Page 14)	O.D.** End 1 Inches	O.D.** End 2 Inches	Sleeve Length Inches	5/8" Bolt Quantity Required	Overall Bolt & Laying Length Inches	Approximate Shipping Weight Lbs.
6	442-00000615-	6.00-6.15	6.00-6.15	7	4	11	30.3
	442-00000663-	6.28-6.63	6.28-6.63				
	442-00000696-	6.56-6.96	6.56-6.96				
	442-00000722-	6.90-7.22	6.90-7.22				
	442-00000765-	7.25-7.65	7.25-7.65				
	442-06630615-	6.28-6.63	6.00-6.15				
	442-06960615-	6.56-6.96	6.00-6.15				
	442-07220615-	6.90-7.22	6.00-6.15	12	4	15 1/2	47.1
	442-07220663-	6.90-7.22	6.28-6.63				
	442-07220696-	6.90-7.22	6.56-6.96				
	442-07650615-	7.25-7.65	6.00-6.15				
	442-07650663-	7.25-7.65	6.28-6.63				
	442-07650696-	7.25-7.65	6.56-6.96				
442-07650722-	7.25-7.65	6.90-7.22					
8	442-00000800-	8.00-8.16	8.00-8.16	7	6	11	39.0
	442-00000863-	8.40-8.63	8.40-8.63				
	442-00000911-	8.54-9.11	8.54-9.11				
	442-00000930-	9.05-9.30	9.05-9.30				
	442-00000945-	9.05-9.45	9.05-9.45				
	442-00000985-	9.46-9.85	9.46-9.85				
	442-08630800-	8.40-8.63	8.00-8.16				
	442-09110800-	8.54-9.11	8.00-8.16	12	6	15 1/2	70.2
	442-09450800-	9.05-9.45	8.00-8.16				
	442-09450863-	9.05-9.45	8.40-8.63				
	442-09450911-	9.05-9.45	8.54-9.11				
	442-09850800-	9.46-9.85	8.00-8.16				
	442-09850863-	9.46-9.85	8.40-8.63				
	442-09850911-	9.46-9.85	8.54-9.11				
442-09850945-	9.46-9.85	9.05-9.45					
10	442-00001000-400	10.00	10.00	12	6	17 1/2	77.5
	442-00001075-400	10.50-10.75	10.00-10.75				
	442-00001160-400	11.10-11.60	11.10-11.60				
	442-00001188-400	11.65-11.88	11.65-11.88				
	442-00001220-400	11.90-12.20	11.90-12.20				
	442-10751000-400	10.50-10.75	10.00				
	442-11601000-400	11.10-11.60	10.00				
	442-11601075-400	11.10-11.60	10.50-10.75				
	442-11881000-400	11.65-11.88	10.00				
	442-11881075-400	11.65-11.88	10.50-10.75				
	442-11881160-400	11.65-11.88	11.10-11.60				
	442-12201000-400	11.90-12.20	10.00				
	442-12201075-400	11.90-12.20	10.50-10.75				
	442-12201160-400	11.90-12.20	11.10-11.60				
442-12201188-400	11.90-12.20	11.65-11.88					
12	442-00001200-400	12.00	12.00	12	8	15 1/2	81.1
	442-00001275-400	12.50-12.75	12.50-12.75				
	442-00001350-400	13.20-13.50	13.20-13.50				
	442-00001375-400	13.51-13.75	13.51-13.75				
	442-00001420-400	13.90-14.20	13.90-14.20				
	442-00001440-400	14.21-14.40	14.21-14.40				
	442-12751200-400	12.50-12.75	12.00				
	442-13501200-400	13.20-13.50	12.00				
	442-13501275-400	13.20-13.50	12.50-12.75				
	442-13751200-400	13.51-13.75	12.00				
	442-13751275-400	13.51-13.75	12.50-12.75				
	442-13751350-400	13.51-13.75	13.20-13.50				

Type 442 Couplings will connect any two pipes within the O.D. range without changing any parts.

Suitable anchorage must be provided when excessive pipe movement could occur.

**Published ranges indicate nominal pipe outside diameters. Couplings are designed for pipes within current AWWA Standard tolerances.

See page 14 for end code description.



442 Long Sleeve Cast Straight & Transition Couplings 4" through 16"

Nominal Pipe Size Inches	Catalog Number End Code (See Page 14)	O.D.** End 1 Inches	O.D.** End 2 Inches	Sleeve Length Inches	5/8" Bolt Quantity Required	Overall Bolt & Laying Length Inches	Approximate Shipping Weight Lbs.
12	442-14201200-400	13.90-14.20	12.00	12	8	15 1/2	81.1
	442-14201275-400	13.90-14.20	12.50-12.75				
	442-14201350-400	13.90-14.20	13.20-13.50				
	442-14201375-400	13.90-14.20	13.51-13.75				
	442-14401200-400	14.21-14.40	12.00				
	442-14401275-400	14.21-14.40	12.50-12.75				
	442-14401350-400	14.21-14.40	13.20-13.50				
	442-14401375-400	14.21-14.40	13.51-13.75				
442-14401420-400	14.21-14.40	13.90-14.20					
14	442-00001550-400	15.30-15.50	15.30-15.50	12	8	15 1/2	105.0
	442-00001580-400	15.55-15.80	15.55-15.80				
	442-00001622-400	16.22-16.35	16.22-16.35				
	442-00001655-400	16.41-16.55	16.41-16.55				
	442-00001690-400	16.73-16.90	16.73-16.90				
	442-15801550-400	15.55-15.80	15.30-15.50				
	442-16221550-400	16.22-16.35	15.30-15.50				
	442-16221580-400	16.22-16.35	15.55-15.80				
	442-16551550-400	16.41-16.55	15.30-15.50				
	442-16551580-400	16.41-16.55	15.55-15.80				
	442-16551622-400	16.41-16.55	16.22-16.35				
	442-16901550-400	16.73-16.90	15.30-15.50				
	442-16901580-400	16.73-16.90	15.55-15.80				
	442-16901622-400	16.73-16.90	16.22-16.35				
442-16901655-400	16.73-16.90	16.41-16.55					
16	442-00001780-400	17.40-17.80	17.40-17.80	12	10	15 1/2	126.3
	442-00001890-400	18.46-18.90	18.46-18.90				
	442-00001920-400	18.90-19.20	18.90-19.20				
	442-18901780-400	18.46-18.90	17.40-17.80				
	442-19201780-400	18.90-19.20	17.40-17.80				
	442-19201890-400	18.90-19.20	18.46-18.90				

Type 442 Couplings will connect any two pipes within the O.D. range without changing any parts.


Suitable anchorage must be provided when excessive pipe movement could occur.

**Published ranges indicate nominal pipe outside diameters. Couplings are designed for pipes within current AWWA Standard tolerances.

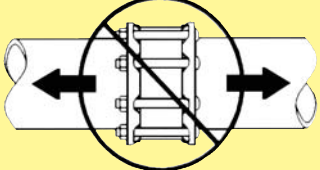
See page 14 for end code description.

Try It Out

See for yourself how you can fill your cast coupling needs with a small selection of color coded follower flanges and gaskets on the component selection charts on pages 12-14. You can buy complete couplings or select components you can interchange to fit the types and sizes of pipe you want to join. They are all color coded to make it easy for you.



WARNING



**This product does not restrain axial pipe or product movement.
See Installation Instructions.**



OMNI Coupling System Component Selection Chart

Nominal Pipe Size (Inches)	Range †† (Inches)	Gasket/Flange Color Code	Gasket	Follower Flange	Fits Pipes of these Nominal O. D.'s (Inches)													
					Copper Tube Size (CTS)	O.D. Steel	Schedule 40/80 Std. Steel and IPS PVC	Centrifugal Cast Iron AWWA C-900 PVC C950 FRP	AWWA Pit Cast Iron	Asbestos Cement Pipe								
										Class 100		Class 150		Class 200				
ME	RB	ME	RB	ME	RB													
2	2.34-2.63	Blue	33827	20975			2.38	2.50										
2 1/2	2.65-2.88	Red	33828	21366			2.88											
3	2.85-3.13	Red	34610	21368	3.13													
	3.44-3.62	Red	33829	21368			3.50											
	3.80-3.96	Blue	33830	21369				3.80	3.96		3.95	3.84			3.84			
	3.97-4.14	Blue	33831	21369									4.13					
4	4.00-4.15	Red	33809	22392	4.13	4.00												
	4.22-4.50	Red	33810	22392			4.50											
	4.46-4.86	Red	34578	22392			4.50	4.80										
	4.80-5.10	Blue	33811	21353				4.80	5.00		5.05	4.81	5.07	4.81				
	5.11-5.45	Blue	33812	21353							5.25		5.32		5.33			
6	6.00-6.15	Red	33801	22393	6.13	6.00												
	6.28-6.63	Red	33802	22393			6.63											
	6.56-6.96	Red	34579	22393			6.63	6.90										
	6.90-7.22	Blue	33803	21348				6.90	7.10	6.91	7.19	6.91	7.20	6.91				
	7.25-7.65	Gray	33804	21349							7.40		7.37		7.60			
8	8.00-8.16	Red	33805	22394		8.00	8.63											
	8.40-8.63	Red	33806	22394			8.63	9.05										
	8.54-9.11	Red	34580	22394				9.05		9.11	9.39	9.11	9.40	9.11	9.44			
	9.05-9.45	Blue	33846	21350					9.30									
	9.05-9.30	Blue	33807	21350							9.57		9.62		9.79			
	9.46-9.85	Gray	33808	21351														
10	10.00	Red	33860	21355		10.00												
	10.50-10.75	Red	33813	21355			10.75											
	11.10-11.60	Blue	33814	21356				11.10	11.40	11.24	11.47							
	11.65-11.88	Gray	33815	21357							11.77	11.66	11.88	11.66	11.88			
	11.90-12.20	Gray	33816	21357									12.12		12.12			
12	12.00	Red	33859	21359		12.00												
	12.50-12.75	Red	33817	21359			12.75											
	13.20-13.50	Blue	33820	21360				13.20	13.50	13.44								
	13.51-13.75	Blue	33821	21360							13.74							
	13.90-14.20	Gray	33818	21361		14.00	14.00				14.04	13.92	14.20	13.92	14.20			
	14.21-14.40	Gray	33819	21361									14.38		14.38			
14	15.30-15.50	Blue	33822	21363				15.30			15.50							
	15.55-15.80	Blue	33823	21363					15.65		15.80							
	16.22-16.35	Gray	33835	21364								16.22		16.22				
	16.41-16.55	Gray	33824	21364									16.50		16.55			
	16.73-16.90	Gray	33825	21364									16.73		16.88			
16	17.40-17.80	Blue	33832	21371				17.40	17.80		17.65							
	18.46-18.90	Gray	33833	21372								18.46	18.75	18.46	18.84			
	18.90-19.20	Gray	33834	21372									18.97		19.19			

†† Published ranges indicate nominal pipe outside diameters. Couplings are designed for pipes within current AWWA Standard tolerances.



OMNI Coupling System Component Selection Chart

Nom. Size (In.)	†† O.D. Range Inches	Gasket (Requires 2)	Follower Flange Flexi-Coat Epoxy	□ Cap Flexi-Coat Epoxy	Sleeve Flexi-Coat Epoxy	§ 441/R441 Bolts & Nuts (# Required) Bolt/Nut	§ 442 Bolts & Nuts (# Required) Bolt/Nut	§ 482 Bolts & Nuts (# Required) Bolt/Nut
2	2.34-2.63	33827-069	20975-045	21365-045	55139-045	(2)90281 / (2)100025 5/8 x 8	-	(2)90281 / (2)10025 5/8 x 8
2 1/2 x 2	Reducing Coupling	*	*	-	55142-045	(2)90281 / (2)100025 5/8 x 8	-	-
2 1/2	2.65-2.88	33828-069	21366-045	21367-045	55141-045	(2)90281 / (2)100025 5/8 x 8	-	(2)90281 / (2)10025 5/8 x 8
3	2.85-3.13	34610-069	21368-045	21370-045	55144-045	(4)90281 / (4)100025 5/8 x 8	-	(4)90413 / (4)10025 5/8x6
	3.44-3.62	33829-069	21368-045		55144-045			
	3.80-3.96	33830-069	21369-045		55144-045			
	3.97-4.14	33831-069	21369-045		55144-045			
4	4.00-4.15	33809-069	22392-045	21354-045	55131-045	(4)90281 / (4)100025 5/8 x 8	(4)90275 / (4)100025 5/8 x 10 1/2 (4)90282 / (4)10025 5/8 x 15	(4)90281 / (4)10025 5/8x6
	4.22-4.50	33810-069	22392-045		55131-045			
	4.46-4.86	34578-069	22392-045		55131-045			
	4.80-5.10	33811-069	21353-045		55131-045			
	5.11-5.45	33812-069	21353-045		55131-045			
6x4	Reducing Coupling	*	*	-	55133-045	(8)90257 / (8)100025 5/8 x 4 1/2	-	-
6	6.00-6.15	33801-069	22393-045	21347-045	55126-045	(4)90281 / (4)100025 5/8 x 8	(4)90275 / (4)100025 5/8 x 10 1/2 (4) 90282 / (4)100025 5/8 x 15	(4)90281 / (4)10025 5/8x8
	6.28-6.63	33802-069	22393-045		55126-045			
	6.56-6.96	34579-069	22393-045		55126-045			
	6.90-7.22	33803-069	21348-045		55126-045			
	7.25-7.65	33804-069	21349-045		55126-045			
8x6	Reducing Coupling	*	*	-	55127-045	(10)90257 / (10)100025 5/8 x 4 1/2	-	-
8	8.00-8.16	33805-069	22394-045	21345-045	55073-045	(6)90281 / (6)100025 5/8 x 8	(6)90275 / (6)100025 5/8 x 10 1/2 (6)90282 / (6)100025 5/8 x 12	(6)90281 / (6)10025 5/8x8
	+8.40	33806-069	22394-045		55073-045			
	8.40-8.63	33806-069	22394-045		55073-045			
	8.54-9.11	34580-069	22394-045		55073-045			
	9.05-9.45	33846-069	21350-045		55073-045			
	9.05-9.30	33807-069	21350-045		55073-045			
9.46-9.85	33808-069	21351-045	55073-045					
10	10.00	33860-069	21355-045	21358-045	55134-045	(6)90297 / (6)100025 5/8 x 9 (6)90275 / (6)100025 5/8 x 10 1/2	(6)90282 / (6)100025 5/8 x 15	(6)90297 / (6)10025 5/8x9
	10.50-10.75	33813-069	21355-045		55134-045			
	11.40-11.60	33814-069	21356-045		55134-045			
	11.65-11.88	33815-069	21357-045		55134-045			
	11.90-12.20	33816-069	21357-045		55134-045			
12	12.00	33859-069	21359-045	21362-045	55136-045	(8)90297 / (8)100025 5/8 x 9 (8)90275 / (8)100025 5/8 x 10 1/2	(8)90282 / (8)100025 5/8 x 15	(8)90297 / (8)10025 5/8x9
	12.50-12.75	33817-069	21359-045		55136-045			
	13.20-13.50	33820-069	21360-045		55136-045			
	13.51-13.75	33821-069	21360-045		55136-045			
	13.90-14.20	33818-069	21361-045		55136-045			
	14.21-14.40	33819-069	21361-045		55136-045			
14	15.30-15.50	33822-069	21363-045	-	55138-045	(8) 90297 / (8)100025 5/8 x 9	(8)90282 / (8)100025 5/8 x 15	-
	15.55-15.80	33823-069	21363-045		55138-045			
	16.10-16.35	33835-069	21364-045		55138-045			
	16.41-16.55	33824-069	21364-045		55138-045			
	16.73-16.90	33825-069	21364-045		55138-045			
16	17.40-17.80	33832-069	21371-045	-	55146-045	(10)90275 / (10)100025 5/8 x 10 1/2 (10)90297 / (10)100025 5/8 x 9	(10)90282 / (10)100025 5/8 x 15 (10)90422 / (10)10025 5/8 x 17	-
	18.46-18.90	33833-069	21372-045		55146-045			
	18.90-19.20	33834-069	21372-045		55146-045			

††Published ranges indicate nominal pipe outside diameters. Couplings are designed for pipes within current AWWA Standard tolerances.

□This component requires the largest gasket within its nominal pipe size for proper fit.

§ Finish codes for nuts and bolts are: -005=Alloy, -202=Stainless Steel, -001=Electro-Galv.

*Please reference the "RANGE" column to select appropriate component.

When ordering bolts for shaded coupling range, use shaded bolt code.



Sleeve Length Options

Sleeve Part Number For Use On 441, 442, & 482 Products

Nominal Size	Sleeve Length (Inches)	Part Number	Sleeve Color Code
4	5	55131-045	Blue
	7	55646-045	Blue
	12	56827-045	Blue
6	5	55126-045	Blue
	7	55647-045	Blue
	12	56828-045	Blue
8	5	55073-045	Blue
	7	55648-045	Blue
	12	56839-045	Blue
10	6	55134-045	Blue
	12	56830-045	Blue
12	6	55136-045	Blue
	12	56831-045	Blue
14	6	55138-045	Blue
	12	56832-045	Blue
16	6	55146-045	Blue
	12	56833-045	Blue

End Codes for Coupling Sleeve, Coating and Hardware

End Code	Description
441 and 482	
-900	Standard Sleeve, Flexi-Coat®, Fusion Bonded Epoxy, Alloy Bolts and Nuts
-931	Standard Sleeve, Flexi-Coat®, Fusion Bonded Epoxy, 304 Stainless Steel Bolts and Nuts
-943	Standard Sleeve, Flexi-Coat®, Fusion Bonded Epoxy, 316 Stainless Steel Bolts and Nuts
442 Only	
-200	7" Long Sleeve Flexi-Coat®, Fusion Bonded Epoxy, Alloy Bolts and Nuts
-231	7" Long Sleeve Flexi-Coat®, Fusion Bonded Epoxy, 304 Stainless Steel Bolts and Nuts
-243	7" Long Sleeve Flexi-Coat®, Fusion Bonded Epoxy, 316 Stainless Steel Bolts and Nuts
-400	12" Long Sleeve Flexi-Coat®, Fusion Bonded Epoxy, Alloy Bolts and Nuts
-431	12" Long Sleeve Flexi-Coat®, Fusion Bonded Epoxy, 304 Stainless Steel Bolts and Nuts
-443	12" Long Sleeve Flexi-Coat®, Fusion Bonded Epoxy, 316 Stainless Steel Bolts and Nuts