

## SLIP ON



Part Number	Description	Parts/Bag	MSTR CTN QTY
P-0018	1-1/2"	50	900
P-0019	2"	50	600
P-0020	3"	20	280
P-0021	4"	10	150

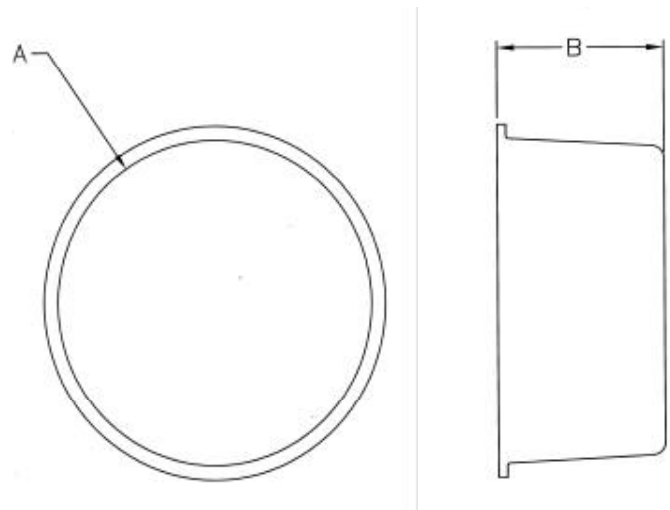
### DESIGN FEATURES

- Designed for ABS and PVC Schedule 40 DWV pipe fittings
- "Friction-Hold" test caps for one story testing
- No solvent cement required; cap slips over end of pipe or inserts into fitting
- Made in North America

### MATERIAL SPECIFICATIONS

- Constructed of flexible plastic
- Color: Orange

### DIMENSIONS



Part Number	A	B
P-0018	1-1/2"	1-11/64"
P-0019	2"	1-13/64"
P-0020	3"	1-21/32"
P-0021	4"	1-13/64"

Product Submittal	
Job Name:	Date:
Part Number:	Quantity:
Architect:	
Contractor:	

*Content matter is subject to change at any time. It is the user's responsibility to ensure the most updated revisions are obtained. Rev 2 2/2021*