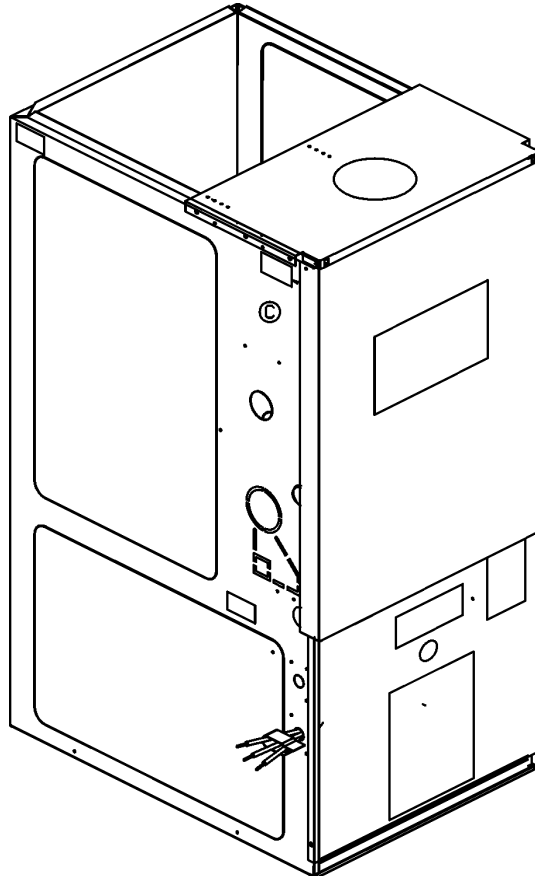


REPAIR PARTS

GSU
90% Gas Furnace

GSU060-3
GSU080-4
GSU100-4



Goodman Manufacturing Company, L.P.
5151 San Felipe, Suite 500
Houston, TX 77056

www.goodmanmfg.com



RP-433
April 2008

Important Information

Index

Functional Parts List	3
Illustration and Parts	4 - 11

Views shown are for parts illustrations only, not servicing procedures.

Text Codes:

AR - As Required

NA - Not Available

NS - Not Shown

00000000 - See Note

QTY - Quantity Example (QTY 3) (If Quantity not shown, Quantity = 1)

M - Model Example (M1) (If M Code not shown, then part is used on all Models)

Expanded Model Nomenclature:

Example M1 - Model#1 M2 - Model#2 M3 - Model#3

Goodman Manufacturing Company, L.P. is not responsible for personal injury or property damage resulting from improper service. Review all service information before beginning repairs.

Warranty service must be performed by an authorized technician, using authorized factory parts. If service is required after the warranty expires, Goodman Manufacturing Company, L.P. also recommends contacting an authorized technician and using authorized factory parts.

Goodman Manufacturing Company, L.P. reserves the right to discontinue, or change at any time, specifications or designs without notice or without incurring obligations.

For assistance within the U.S.A. contact:
Consumer Affairs Department
Goodman Manufacturing Company, L.P.
7401 Security Way
Houston, Texas 77040
877-254-4729-Telephone
713-863-2382-Facsimile

For assistance outside the U.S.A. contact:
International Division
Goodman Manufacturing Company, L.P.
7401 Security Way
Houston, Texas 77040
713-861-2500-Telephone
713-863-2382-Facsimile

Functional Parts

Part

No: Description:

B1340020S	BLOWER MOTOR 1/2 HP (M2, M3)
B1340021S	BLOWER MOTOR 1/3 HP (M1)
CAP100000370VAS	CAPACITOR 10/370V (M2, M3)
CAP125000370RPS	CAPACITOR 12.5/370V (M1)
B1809923S	INTEGRATED HSI MODULE
B1141605	TRANSFORMER 120V TO 24V, 40 VA
B2833002S	VENT MOTOR

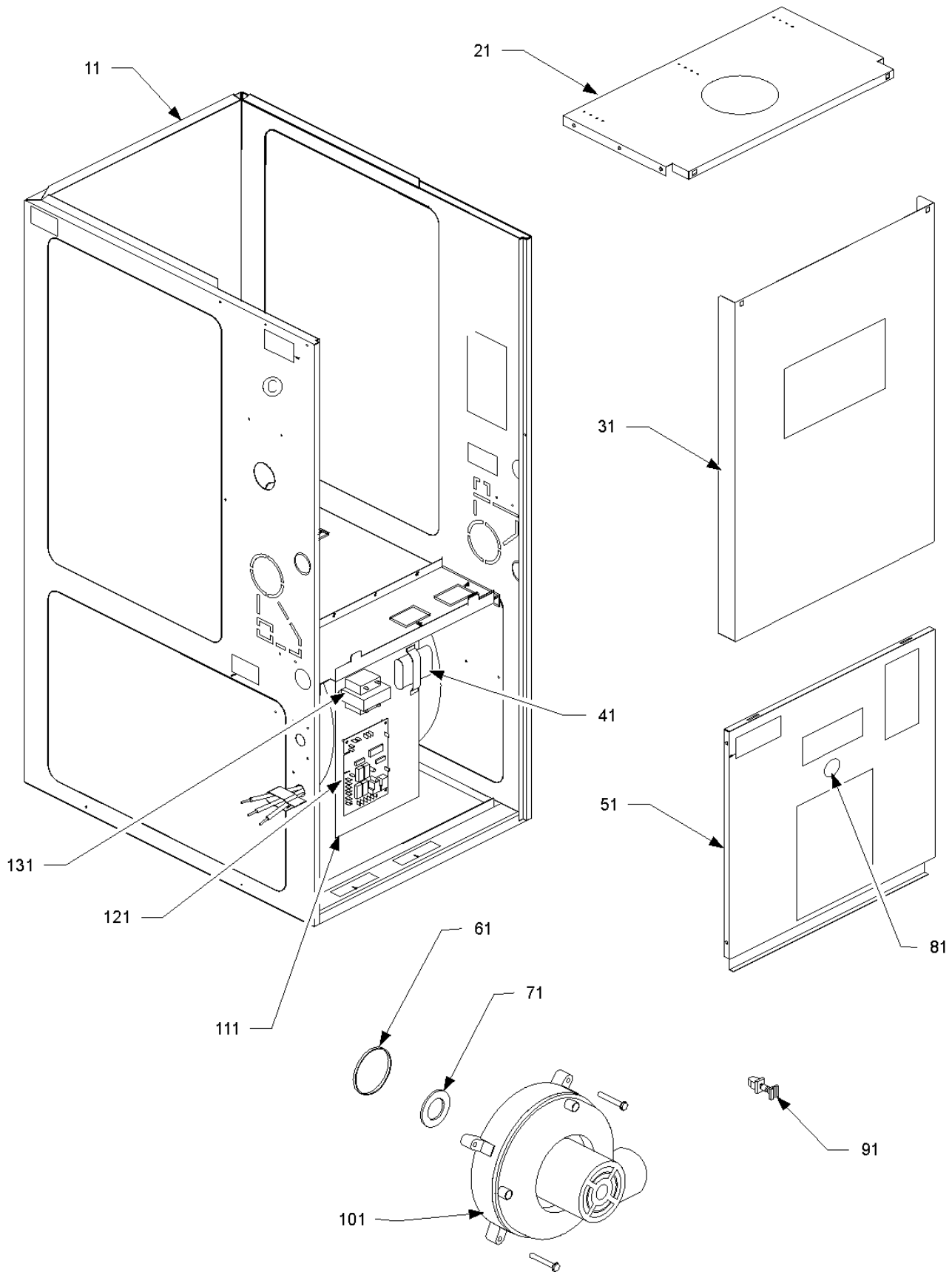
SPECIAL PARTS

RP-433 REPAIR PARTS MANUAL

Expanded Model Nomenclature

- | |
|---------------|
| M1 - GSU060-3 |
| M2 - GSU080-4 |
| M3 - GSU100-4 |

Wrapper Assy



Wrapper Assy

Ref. Part No:	No:	Description:	Ref. Part No:	No:	Description:
<i>Image 1:</i>					
11	2816504S	WRAPPER 14" (M1)			
11	2816513S	WRAPPER 17" (M2)			
11	2816506S	WRAPPER 21" (M3)			
21	2808500P	TOP PANEL 14" (M1)			
21	2808501P	TOP PANEL 17" (M2)			
21	2808502P	TOP PANEL 21" (M3)			
31	2812004P	CONTROL ACCESS DOOR 14" (M1)			
31	2812006P	CONTROL ACCESS DOOR 21" (M3)			
31	2812005P	CONTROL ACCESS DOOR 17" (M2)			
41	CAP100000370VAS	CAPACITOR 10/370V (M2, M3)			
41	CAP125000370RPS	CAPACITOR 12.5/370V (M1)			
51	0221F00031PBB	BLOWER ACCESS DOOR 14" (M1)			
51	0221F00032PBB	BLOWER ACCESS DOOR 17" (M2)			
51	2515006S	BLOWER ACCESS DOOR 21" (M3)			
61	B2832606	O RING			
71	B2864903	FLUE RESTRICTOR PLATE (M1)			
71	B2864905	FLUE RESTRICTOR PLATE (M2, M3)			
81	B1392139	VIEW PORT BUSHING-BLOWER DOOR			
91	B1392132	1/4" TURN NYLATCH (QTY 2)			
101	B2833002S	VENT MOTOR			
111	1815812	CONTROL MOUNT PANEL			
121	B1809923S	INTEGRATED HSI MODULE			
131	B1141605	TRANSFORMER 120V TO 24V, 40 VA			

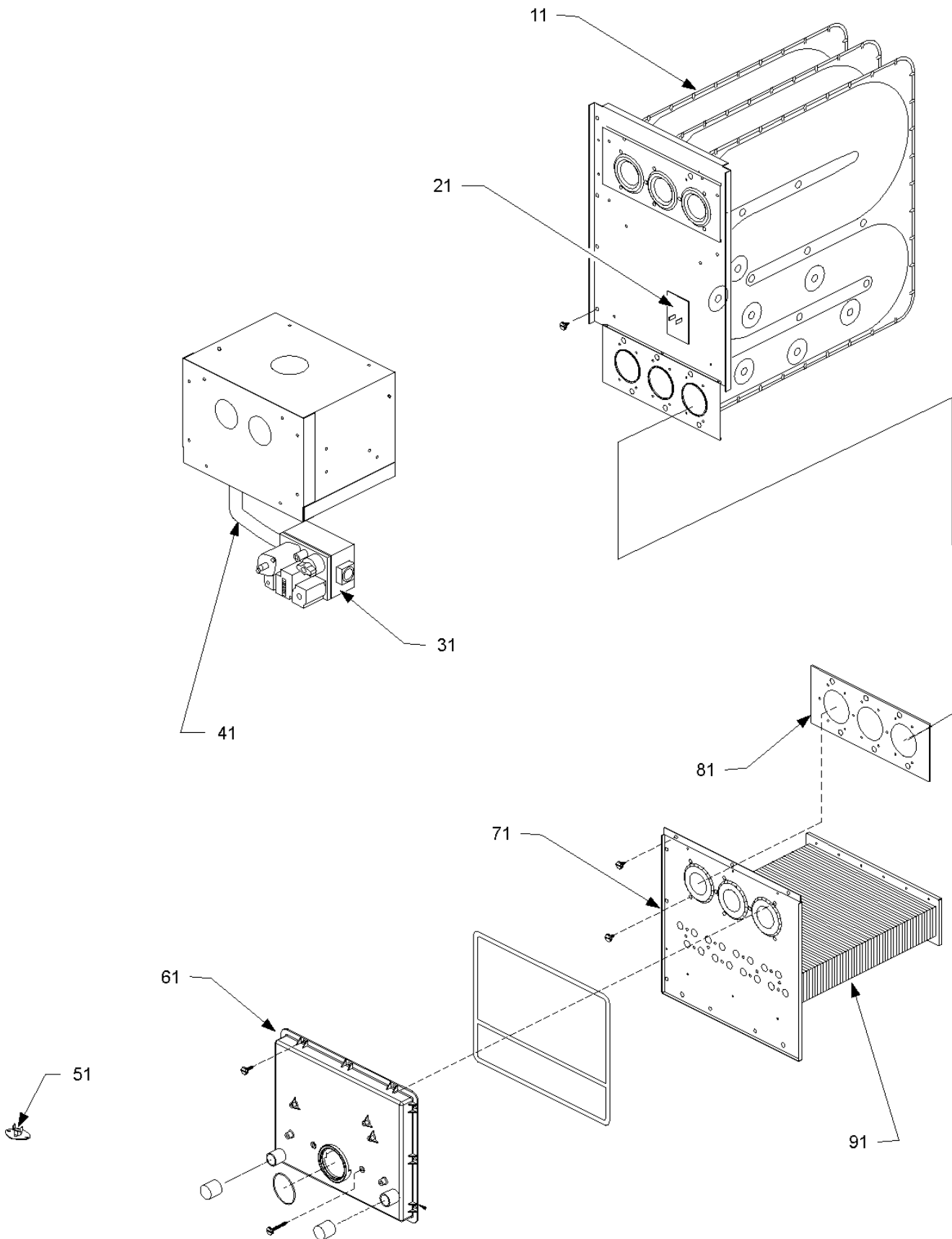
Expanded Model Nomenclature

M1 - GSU060-3

M2 - GSU080-4

M3 - GSU100-4

Heat Exchanger Assy



Heat Exchanger Assy

Ref. Part No:	No:	Description:	Ref. Part No:	No:	Description:
<i>Image 1:</i>					
11	2821300S	HEAT EXCHANGER ASSY 3C (M1)			
11	2821301S	HEAT EXCHANGER ASSY 4C (M2)			
11	2821302S	HEAT EXCHANGER ASSY 5C (M3)			
21	1370913S	3" LIMIT SWITCH 200°F (M1)			
21	1370902S	3" LIMIT SWITCH 210°F (M2)			
21	1370912S	7" LIMIT SWITCH 240°F (M3)			
31	0151F00000P	HSI 2 STAGE GAS VALVE			
41	B2826000	MANIFOLD 3C (M1)			
41	B2826001	MANIFOLD 4C (M2)			
41	B2826002	MANIFOLD 5C (M3)			
51	B1370253	STACK OVER TEMPERATURE SWITCH			
61	2820004S	FLUE COLLECTOR BOX (M1)			
61	2820005S	FLUE COLLECTOR BOX (M2)			
61	2820006S	FLUE COLLECTOR BOX (M3)			
71	2830100	LOWER INNER FRONT PANEL 3C (M1) WHEN ORDERING ALSO ORDER COIL/LOWER INNER FRONT GASKET B2832500			
71	2830101	LOWER INNER FRONT PANEL 4C (M2) WHEN ORDERING ALSO ORDER COIL/LOWER INNER FRONT GASKET B2832501			
71	2830102	LOWER INNER FRONT PANEL 5C (M3) WHEN ORDERING ALSO ORDER COIL/LOWER INNER FRONT GASKET B2832502			
81	B2832600	ATTACHMENT GASKET 3C (M1)			
81	B2832601	ATTACHMENT GASKET 4C (M2)			
81	B2832602	ATTACHMENT GASKET 5C (M3)			
91	2864604S	SECONDARY HEAT EXCHANGER 14" (M1)			
91	2864605S	SECONDARY HEAT EXCHANGER 17" (M2)			
91	2864606S	SECONDARY HEAT EXCHANGER 21" (M3)			
NS	B2832500	COIL/LOWER INNER FRONT GASKET 14" (M1)			
NS	B2832501	COIL/LOWER INNER FRONT GASKET 17" (M2)			
NS	B2832502	COIL/LOWER INNER FRONT GASKET 21" (M3)			

Expanded Model Nomenclature

- | |
|---------------|
| M1 - GSU060-3 |
| M2 - GSU080-4 |
| M3 - GSU100-4 |

Burner Box/Blower Assy

Image 1

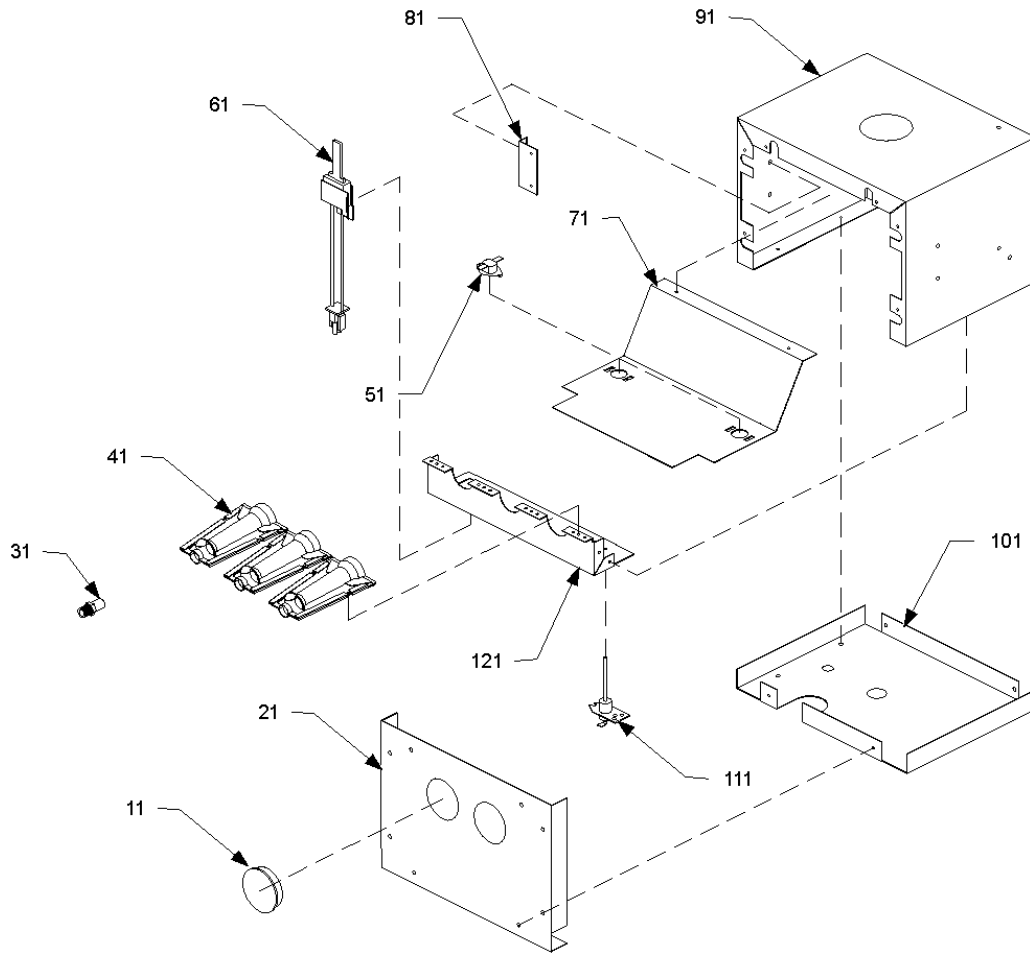
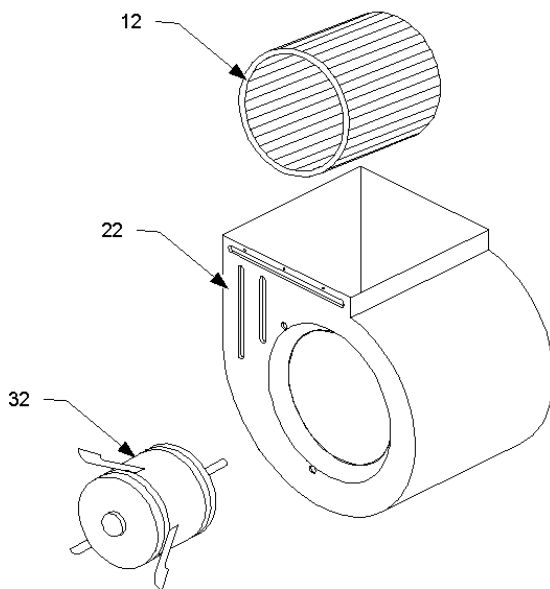


Image 2



Burner Box/Blower Assy

Ref. Part No: No:	Description:	Ref. Part No: No:	Description:
-------------------	--------------	-------------------	--------------

Image 1:

11	B1392136	VIEW PORT BUSHING-BLOWER DOOR 2" (QTY 2)
21	2813300	COMBUSTION BOX COVER 14" (M1)
21	2813301	COMBUSTION BOX COVER 17" (M2)
21	2813302	COMBUSTION BOX COVER 21" (M3)
31	B2589345	ORIFICE #45 (QTY AR)
41	B2522703S	INSHOT BURNER ASSY (QTY AR)
51	B1370154	ROLLOUT SWITCH 350°
61	B1401015S	HOT SURFACE IGNITOR
71	2813600	AIR BAFFLE 14" (M1)
71	2813601	AIR BAFFLE 17" (M2)
71	2813602	AIR BAFFLE 21" (M3)
81	2809503	MANIFOLD MOUNTING BRACKET (QTY 2)
91	2813100	COMBUSTION BOX WRAPPER 14" (M1)
91	2813101	COMBUSTION BOX WRAPPER 17" (M2)
91	2813102	COMBUSTION BOX WRAPPER 21" (M3)
101	2813200	COMBUSTION BOX BOTTOM 14" (M1)
101	2813201	COMBUSTION BOX BOTTOM 17" (M2)
101	2813202	COMBUSTION BOX BOTTOM 21" (M3)
111	0130F00010	FLAME SENSOR
121	2813500	BURNER RACK 3C (M1)
121	2813501	BURNER RACK 4C (M2)
121	2813502	BURNER RACK 5C (M3)

Image 2:

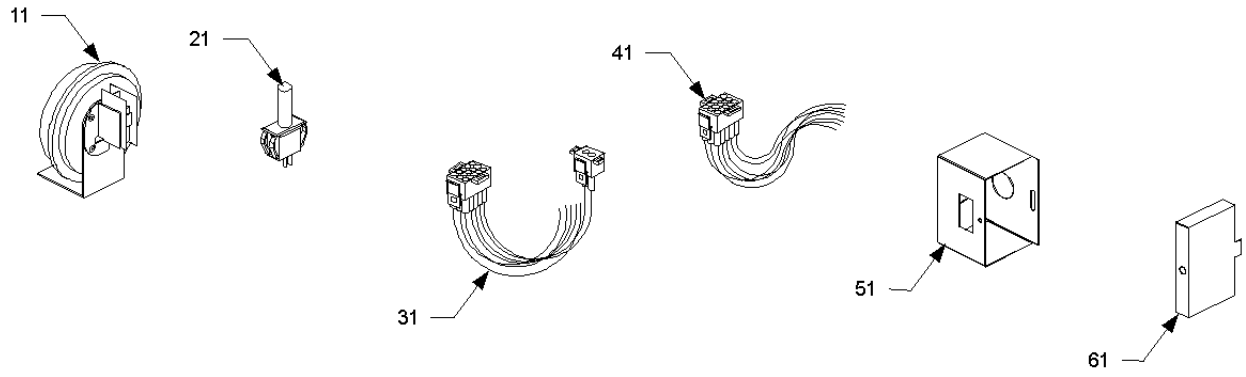
12	B1368047A	BLOWER WHEEL 10 X 10 (M3)
12	B1368034S	BLOWER WHEEL 10 X 6 (M1)
12	B1368016S	BLOWER WHEEL 10 X 8 (M2)
22	2539303S	BLOWER HOUSING ASSY 10 X 10 (M3)
22	2539300S	BLOWER HOUSING ASSY 10 X 6 (M1)
22	2539301S	BLOWER HOUSING ASSY 10 X 8 (M2)
32	B1340020S	BLOWER MOTOR 1/2 HP (M2, M3)
32	B1340021S	BLOWER MOTOR 1/3 HP (M1)

Expanded Model Nomenclature

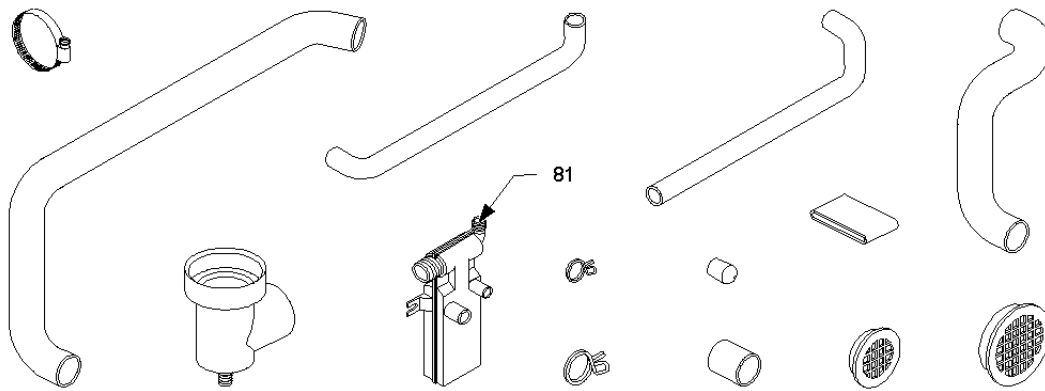
M1 - GSU060-3
M2 - GSU080-4
M3 - GSU100-4

Miscellaneous

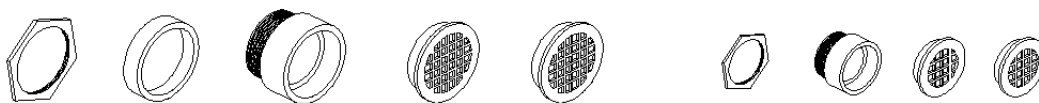
MISC. ELECTRICAL & HARDWARE



DRAIN TRAP & HOSE PACKAGE (ITEM #71)



COMBUSTION BOX KIT (ITEM #91)



Miscellaneous

Ref. Part No: No:	Description:	Ref. Part No: No:	Description:
<i>Image 1:</i>			
11	B1370157		PRESSURE SWITCH (COMB BOX)
11	B1370156		PRESSURE SWITCH (HIGH FIRE) (M1)
11	B1370159		PRESSURE SWITCH (HIGH FIRE) (M2, M3)
11	B1370133		PRESSURE SWITCH (LOW FIRE) (M2)
11	B1370158		PRESSURE SWITCH (LOW FIRE) (M1)
11	B1370160		PRESSURE SWITCH (LOW FIRE) (M3)
21	B1370820		DOOR SWITCH
31	2868404		WIRE HARNESS FOR HEAT EXCHANGER
41	2868405		WIRE HARNESS FOR BLOWER
51	2514501		J-BOX
61	2515501		J-BOX COVER
71	B2810700		DRAIN TRAP AND HOSE KIT (M1)
71	B2810701		DRAIN TRAP AND HOSE KIT (M2)
71	B2810702		DRAIN TRAP AND HOSE KIT (M3)
81	B2820811		DRAIN TRAP
91	B1810525		2" COMBUSTION BOX KIT (M1)
91	B1810526		3" COMBUSTION BOX KIT (M2, M3)

Expanded Model Nomenclature

M1 - GSU060-3

M2 - GSU080-4

M3 - GSU100-4