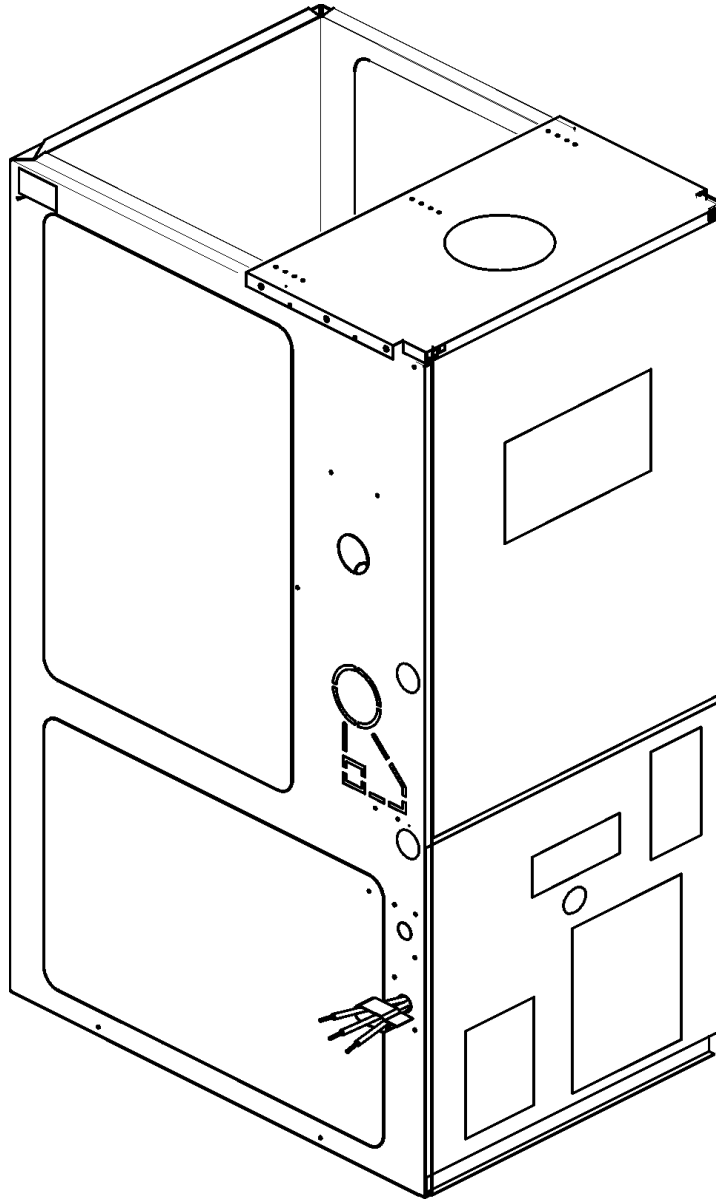


GSM/GSMS Multi-Positional Gas Furnace

GSM060-3
GSM080-4
GSM100-4
GSMS060-3
GSMS080-4
GSMS100-4



This manual is to be used by qualified technicians only.

This manual replaces RP-438.

© 1998-2009 Goodman Manufacturing Company, L.P. ♦ 5151 San Felipe, Suite 500 ♦ Houston, TX 77056

Important Information

Index

Functional Parts List	3
Illustration and Parts	4 - 13

Views shown are for parts illustrations only, not servicing procedures.

Rev. A: Corrected heat exchanger part numbers

Text Codes:

AR - As Required

NA - Not Available

NS - Not Shown

00000000 - See Note

QTY - Quantity Example (QTY 3) (If Quantity not shown, Quantity = 1)

M - Model Example (M1) (If M Code not shown, then part is used on all Models)

Expanded Model Nomenclature:

Example M1 - Model#1 M2 - Model#2 M3 - Model#3

Goodman Manufacturing Company, L.P. is not responsible for personal injury or property damage resulting from improper service. Review all service information before beginning repairs.

Warranty service must be performed by an authorized technician, using authorized factory parts. If service is required after the warranty expires, Goodman Manufacturing Company, L.P. also recommends contacting an authorized technician and using authorized factory parts.

Goodman Manufacturing Company, L.P. reserves the right to discontinue, or change at any time, specifications or designs without notice or without incurring obligations.

For assistance within the U.S.A. contact:
Consumer Affairs Department
Goodman Manufacturing Company, L.P.
7401 Security Way
Houston, Texas 77040
877-254-4729-Telephone
713-863-2382-Facsimile

For assistance outside the U.S.A. contact:
International Division
Goodman Manufacturing Company, L.P.
7401 Security Way
Houston, Texas 77040
713-861-2500-Telephone
713-863-2382-Facsimile

Functional Parts

Part

No: Description:

B1340020S	BLOWER MOTOR 1/2 HP, DIRECT DRIVE (M2, M3, M5, M6)
B1340021S	BLOWER MOTOR 1/3 HP, DIRECT DRIVE (M1, M4)
CAP100000370VAS	CAPACITOR 10/370V (M5, M6)
CAP100000370VAS	CAPACITOR 10/370V [BLOWER] (M2, M3)
CAP125000370RPS	CAPACITOR 12.5/370V (M1)
CAP125000370RPS	CAPACITOR 12.5/370V (M4)
B1282623	GAS VALVE NAT (STEP OPENING) (M1, M2, M3)
B1809923	HSI BOARD W/12-PIN CONNECTOR [2-STG] (M4, M5, M6)
B1809913S	HSI BOARD W/9-PIN CONNECTOR (M1, M2, M3)
B1401018S	IGNITOR
B1370156	PRESSURE SWITCH -1.4" WC (M1, M4)
1370909S	PRIMARY LIMIT SWITCH 160°F (M1, M4)
1370908S	PRIMARY LIMIT SWITCH 160°F (M2, M5)
1370910S	PRIMARY LIMIT SWITCH 170°F (M3, M6)
RP-438	REPAIR PARTS MANUAL
B1370154	ROLL OUT SWITCH, 350° W/O BRKT. (QTY 2)
B1141605	TRANSFORMER 120V TO 24V, 40 VA
B2833001S	VENT MOTOR (M1, M2, M3)
B2833002S	VENT MOTOR (2-SPEED) (M4, M5, M6)

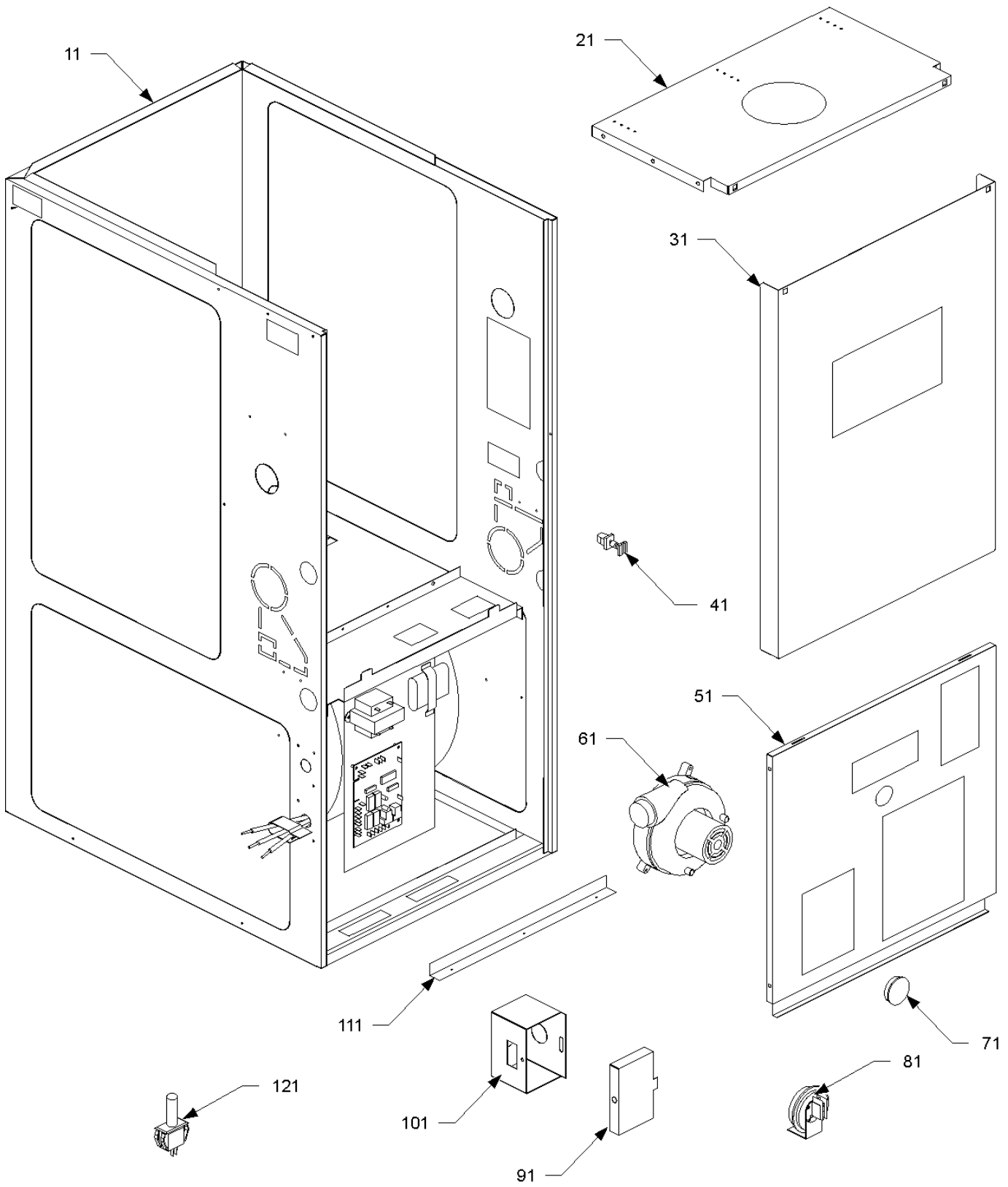
SPECIAL PARTS

IO-176A	INSTALLATION INSTRUCTIONS
IO-605	LIGHTING INSTRUCTIONS, W/36G
IO-604	SPECIAL INSTRUCTIONS, 36G VALVE
HI-111C	USERS MANUAL

Expanded Model Nomenclature

M1 - GSMS060-3
M2 - GSMS080-4
M3 - GSMS100-4
M4 - GSM060-3
M5 - GSM080-4
M6 - GSM100-4

Cabinet Assy



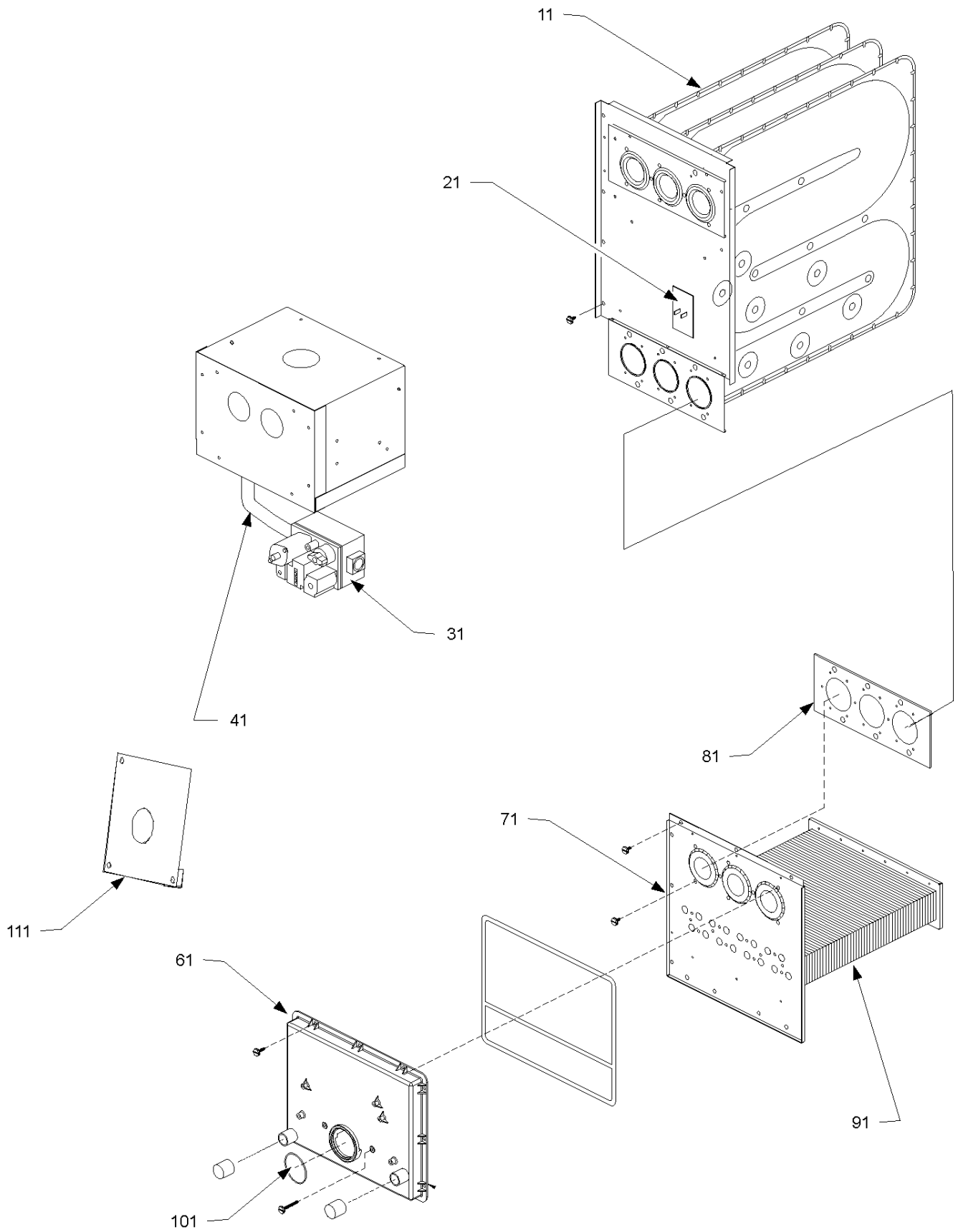
Cabinet Assy

Ref. Part No:	No:	Description:	Ref. Part No:	No:	Description:
<i>Image 1:</i>					
11	2816513S	WRAPPER ASSY (M2, M5)			
11	2816512S	WRAPPER ASSY [OBSOLETE] (M1, M4)			
11	2816514P	WRAPPER ASSY [OBSOLETE] (M3, M6)			
21	2808500P	TOP PANEL 14" (M1, M4)			
21	2808501P	TOP PANEL 17" (M2, M5)			
21	2808502P	TOP PANEL 21" [OBSOLETE] (M3, M6)			
31	2812004P	CONTROL ACCESS DOOR 14" (M1, M4)			
31	2812006P	CONTROL ACCESS DOOR 21" (M3, M6)			
31	2812005P	CONTROL ACCESS DOOR 17" (M2, M5)			
41	B1392132	1/4" TURN NYLATCH (QTY 2)			
51	0221F00031PBB	BLOWER ACCESS DOOR 14" (M1, M4)			
51	0221F00032PBB	BLOWER ACCESS DOOR 17.5" (M2, M5)			
51	0221F00033PBB	BLOWER ACCESS DOOR 21" (M3, M6)			
61	B2833001S	VENT MOTOR (M1, M2, M3)			
61	B2833002S	VENT MOTOR (2-SPEED) (M4, M5, M6)			
71	B1392139	VIEW PORT BUSHING-BLOWER DOOR			
81	B1370133	PRESSURE SWITCH (M5)			
81	B1370160	PRESSURE SWITCH -0.2" WC (M6)			
81	B1370157	PRESSURE SWITCH -0.38" WC			
81	B1370158	PRESSURE SWITCH -0.70" WC (M4)			
81	B1370159	PRESSURE SWITCH -1.1" WC (M2, M3, M5, M6)			
81	B1370156	PRESSURE SWITCH -1.4" WC (M1, M4)			
91	2515501	J-BOX COVER			
101	2514501	J-BOX [OBSOLETE]			
111	2524000	DUCT ANGLE 14" [OBSOLETE] (M1, M4)			
111	2524001	DUCT ANGLE 17.5" (M2, M5)			
111	2524002	DUCT ANGLE 21" (M3, M6)			
121	B1370820	DOOR SWITCH			
NS	B1392705	PRESSURE SWITCH HOSE (QTY AR)			

Expanded Model Nomenclature

M1 - GSMS060-3
M2 - GSMS080-4
M3 - GSMS100-4
M4 - GSM060-3
M5 - GSM080-4
M6 - GSM100-4

Heat Exchanger Assy



Heat Exchanger Assy

Ref. Part No:	Part No:	Description:	Ref. Part No:	Part No:	Description:
<i>Image 1:</i>					
11	2821300S	SUB-ASSY, HEAT EXCHANGER 3 CL (M1, M4)			
11	2821301S	SUB-ASSY, HEAT EXCHANGER 4 CL (M2, M5)			
11	2821302S	SUB-ASSY, HEAT EXCHANGER 5 CL (M3, M6)			
21	1370908S	PRIMARY LIMIT SWITCH 160°F (M2, M5)			
21	1370909S	PRIMARY LIMIT SWITCH 160°F (M1, M4)			
21	1370910S	PRIMARY LIMIT SWITCH 170°F (M3, M6)			
31	B1282623	GAS VALVE NAT (STEP OPENING) (M1, M2, M3)			
41	B2826000	MANIFOLD - 3 BRNR (M1, M4)			
41	B2826001	MANIFOLD - 4 BRNR (M2, M5)			
41	B2826002	MANIFOLD - 5 BRNR (M3, M6)			
61	2820004S	FLUE COLLECTOR BOX 14" (M1, M4)			
61	2820005S	FLUE COLLECTOR BOX 17.5" (M2, M5)			
61	2820006S	FLUE COLLECTOR BOX 21" (M3, M6)			
71	2830100	LOWER INNER FRONT, 3 CELL (M1, M4)			
71	2830101	LOWER INNER FRONT, 4 CELL (M2, M5)			
71	2830102	LOWER INNER FRONT, 5 CELL (M3, M6)			
81	B2832600	ATTACHMENT GASKET, 3 CELL (M1, M4)			
81	B2832601	ATTACHMENT GASKET, 4 CELL (M2, M5)			
81	B2832602	ATTACHMENT GASKET, 5 CELL (M3, M6)			
91	2864604S	SECONDARY HEAT EXCHANGER COIL 14" (M1, M4)			
91	2864605S	SECONDARY HEAT EXCHANGER COIL 17.5" (M2, M5)			
91	2864606S	SECONDARY HEAT EXCHANGER COIL 21" (M3, M6)			
101	B2832606	O RING 2.25 X .156			
111	B2864903	FLUE RESTRICTOR PLATE 1.252 DIA (M1, M4)			
111	B2864905	FLUE RESTRICTOR PLATE 1.505 DIA (M2, M3, M5, M6)			

Expanded Model Nomenclature

- | |
|----------------|
| M1 - GSMS060-3 |
| M2 - GSMS080-4 |
| M3 - GSMS100-4 |
| M4 - GSM060-3 |
| M5 - GSM080-4 |
| M6 - GSM100-4 |

Burner Box/Blower Assy

Image 1

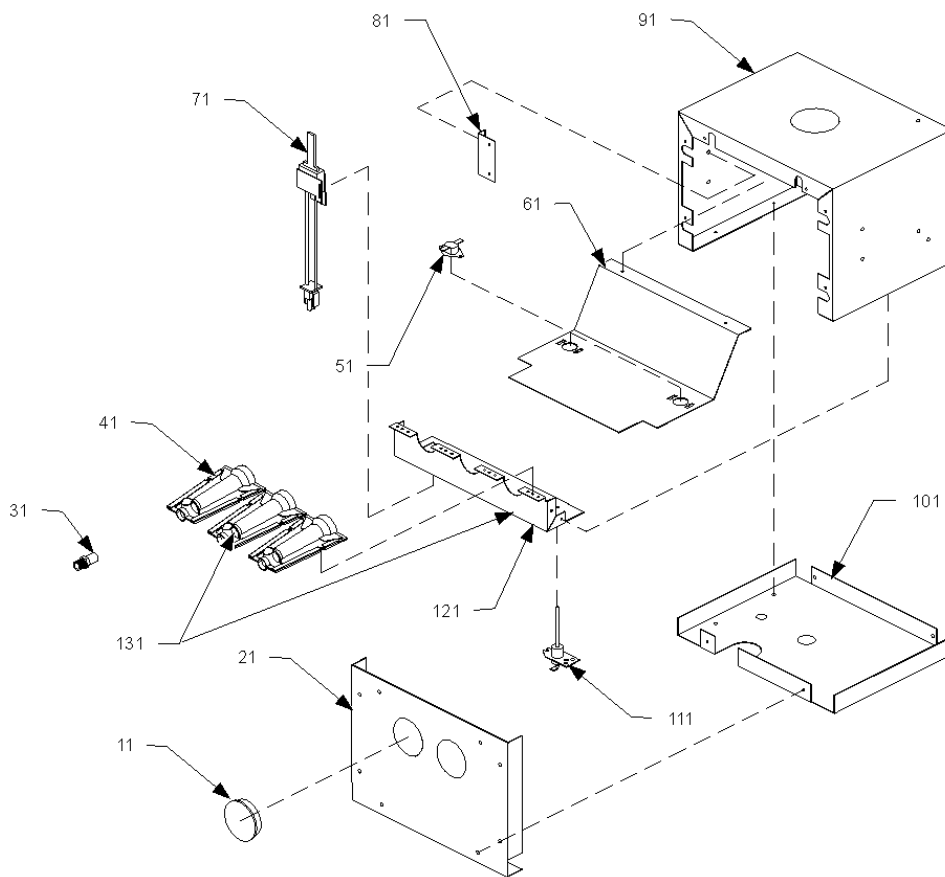
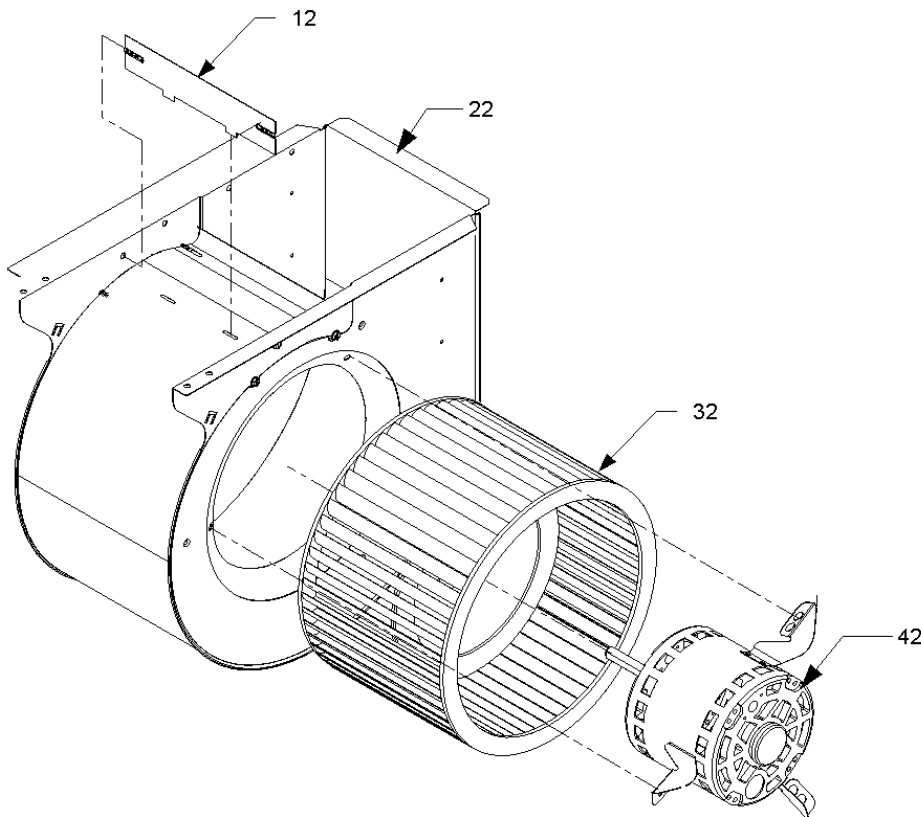


Image 2



Burner Box/Blower Assy

Ref. Part No:	Ref. Part No:	Description:	Description:
---------------	---------------	--------------	--------------

Image 1:

11	B1392136	VIEW PORT BUSHING-BLOWER DOOR 2" (QTY 2)
21	2813300	COMBUSTION BOX COVER 14" (M1, M4)
21	2813301	COMBUSTION BOX COVER 17" (M2, M5)
21	2813302	COMBUSTION BOX COVER 21" (M3, M6)
31	B2589345	#45 ORIFICE (QTY AR)
41	B4022700	INSHOT BURNER ASSY 3" (QTY 3)
51	B1370154	ROLL OUT SWITCH, 350° W/O BRKT. (QTY 2)
61	2813603	AIR BAFFLE, 14" (M1, M4)
61	2813604	AIR BAFFLE, 17" (M2, M5)
61	2813605	AIR BAFFLE, 21" (M3, M6)
71	B1401018S	IGNITOR
81	2809503	MANIFOLD MOUNTING BRACKET (QTY 2)
91	2813100	COMBUSTION BOX WRAPPER 14" (M1, M4)
91	2813101	COMBUSTION BOX WRAPPER 17" (M2, M5)
91	2813102	COMBUSTION BOX WRAPPER 21" (M3, M6)
101	2813203	COMBUSTION BOX BOTTOM 14" (M1, M4)
101	2813204	COMBUSTION BOX BOTTOM 17" (M2, M5)
101	2813205	COMBUSTION BOX BOTTOM 21" (M3, M6)
111	0130F00010	FLAME SENSOR
121	2813500	BURNER BRACKET 3B (M1, M4)
121	2813501	BURNER BRACKET 4B (M2, M5)
121	2813502	BURNER BRACKET 5B (M3, M6)

Image 2:

12	764741F	BLOWER BLOCK-OFF 10 X 10 (M3, M6)
12	764740F	BLOWER BLOCK-OFF 10 X 8 (M2, M5)
12	764739	BLOWER CUT-OFF 10 X 6 (M1, M4)
22	2539307S	BLOWER HOUSING 10 X 10 (M3, M6)
22	2539305S	BLOWER HOUSING 10 X 6 (M1, M4)
22	2539306S	BLOWER HOUSING 10 X 8 (M2, M5)
32	D6723306S	BLOWER WHEEL (M3, M6)
32	B1368034S	BLOWER WHEEL 10 X 6 (M1, M4)
32	B1368016S	BLOWER WHEEL 10 X 8 (M2, M5)
42	B1340020S	BLOWER MOTOR 1/2 HP, DIRECT DRIVE (M2, M3, M5, M6)
42	B1340021S	BLOWER MOTOR 1/3 HP, DIRECT DRIVE (M1, M4)

Expanded Model Nomenclature

M1 - GSMS060-3
M2 - GSMS080-4
M3 - GSMS100-4
M4 - GSM060-3
M5 - GSM080-4
M6 - GSM100-4

Control Panel Assy

Image 1

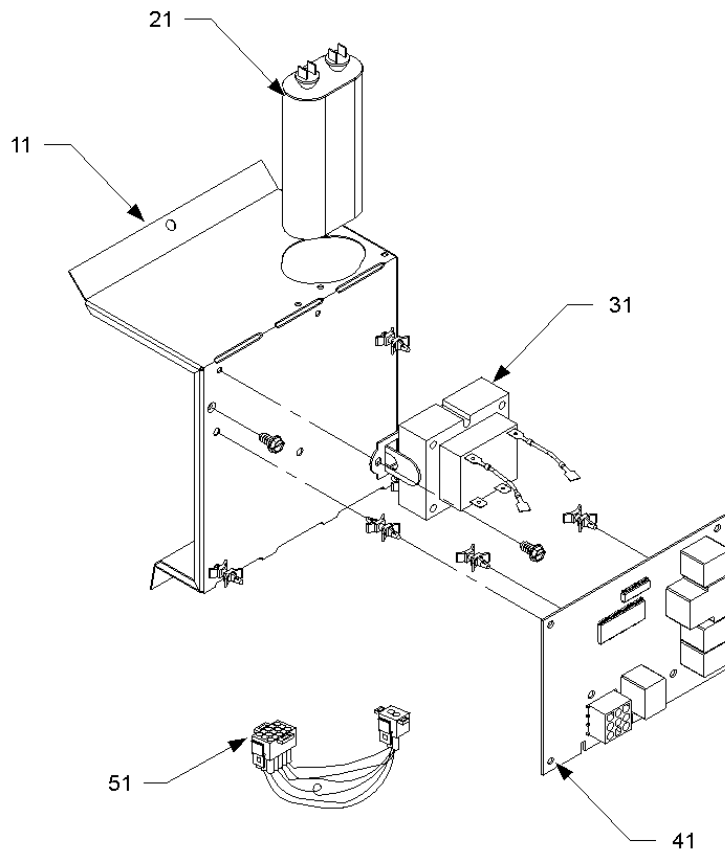
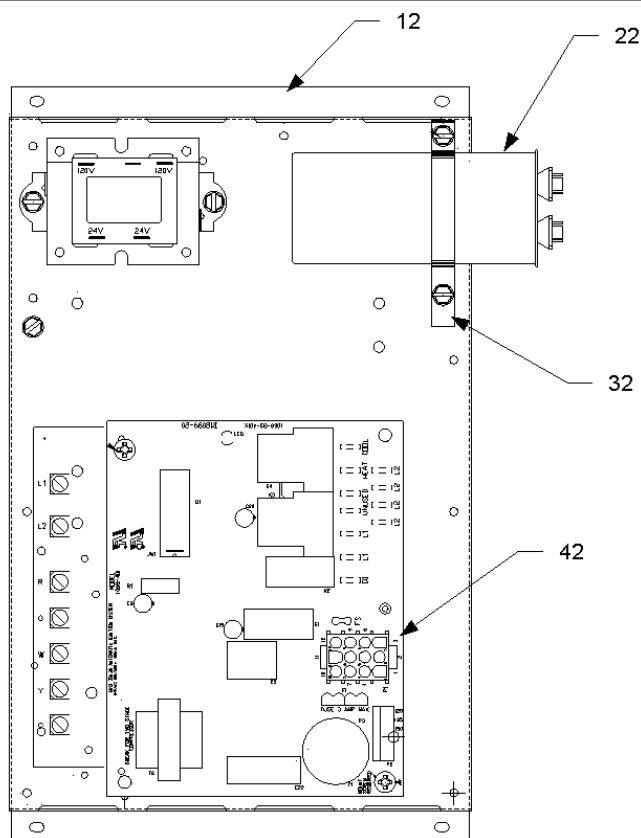


Image 2



Control Panel Assy

Ref. Part No:	No:	Description:	Ref. Part No:	No:	Description:
---------------	-----	--------------	---------------	-----	--------------

Image 1:

11	1815817	CONTROL MOUNT PANEL (M1, M2, M3)
21	CAP100000370VAS	CAPACITOR 10/370V [BLOWER] (M2, M3)
21	CAP125000370RPS	CAPACITOR 12.5/370V (M1)
31	B1141605	TRANSFORMER 120V TO 24V, 40 VA
41	B1809913S	HSI BOARD W/9-PIN CONNECTOR (M1, M2, M3)
51	2878400S	WIRE HARNESS KIT (M1, M2, M3)
51	2878401S	WIRE HARNESS KIT (M4, M5, M6)

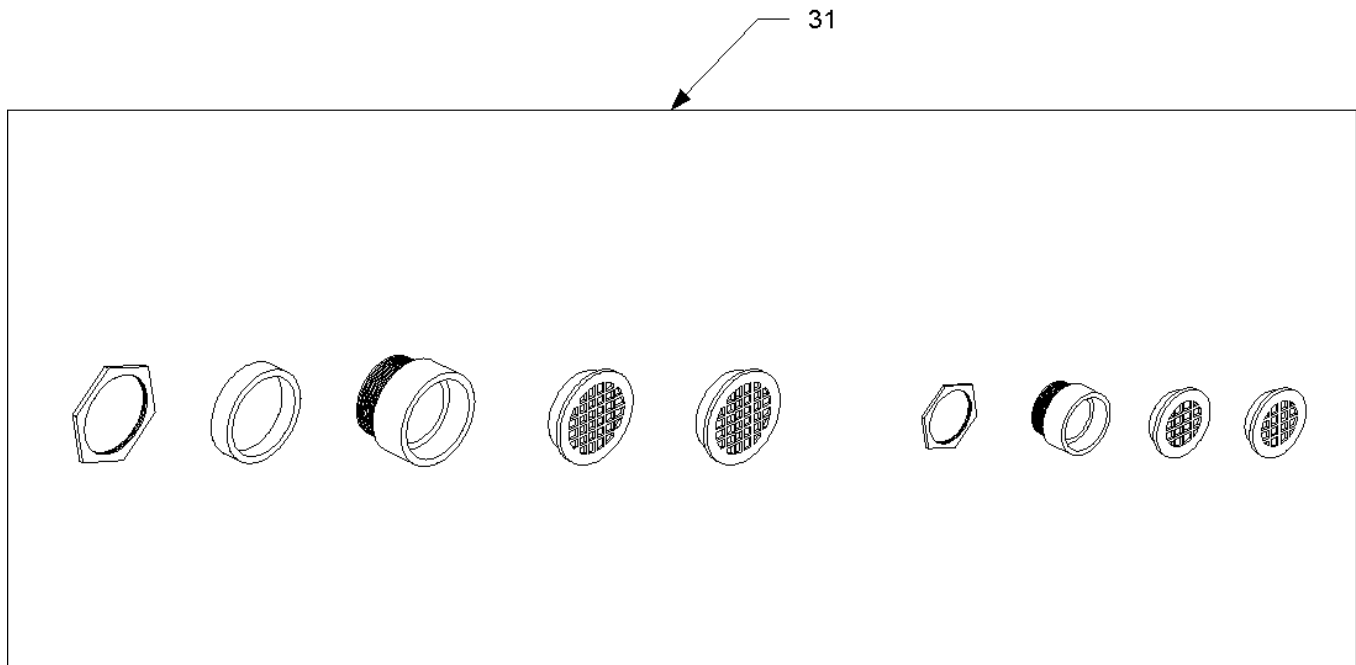
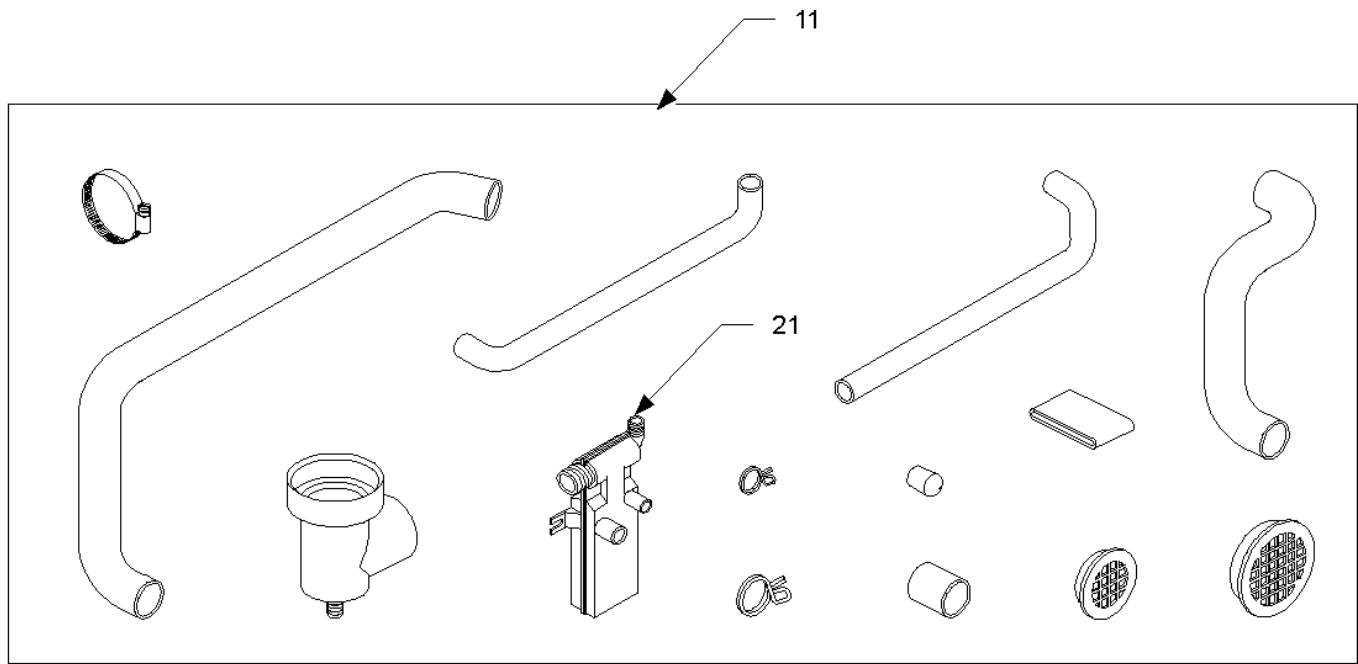
Image 2:

12	0121F00080	CONTROL MOUNT PANEL (M4, M5, M6)
22	CAP100000370VAS	CAPACITOR 10/370V (M5, M6)
22	CAP125000370RPS	CAPACITOR 12.5/370V (M4)
32	1284835	CAPACITOR STRAP (M4, M5, M6)
42	B1809923	HSI BOARD W/12-PIN CONNECTOR [2-STG] (M4, M5, M6)

Expanded Model Nomenclature

M1 - GSMS060-3
M2 - GSMS080-4
M3 - GSMS100-4
M4 - GSM060-3
M5 - GSM080-4
M6 - GSM100-4

Drain Pan/ Combustion Kit



Drain Pan/ Combustion Kit

Ref. Part No:	No:	Description:	Ref. Part No:	No:	Description:
---------------	-----	--------------	---------------	-----	--------------

Image 1:

11	B2810700	DRAIN TRAP & HOSE KIT 14" (M1, M4)
11	B2810701	DRAIN TRAP & HOSE KIT 17.5" (M2, M5)
11	B2810702	DRAIN TRAP & HOSE KIT 21" (M3, M6)
21	B2820811	DRAIN TRAP ASSY
31	B1810525	COMBUSTION BOX KIT 2" (M1, M4)
31	B1810526	COMBUSTION BOX KIT 3" (M2, M3, M5, M6)

Expanded Model Nomenclature

- M1 - GSMS060-3
- M2 - GSMS080-4
- M3 - GSMS100-4
- M4 - GSM060-3
- M5 - GSM080-4
- M6 - GSM100-4

