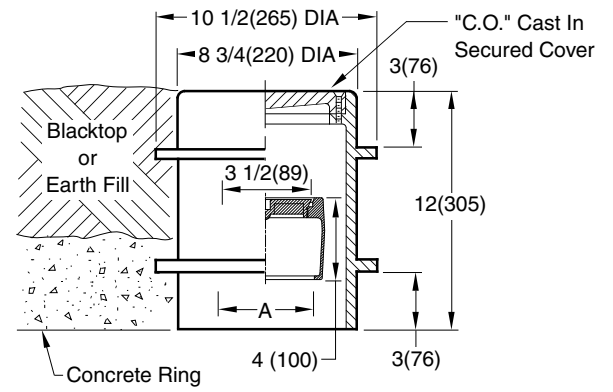
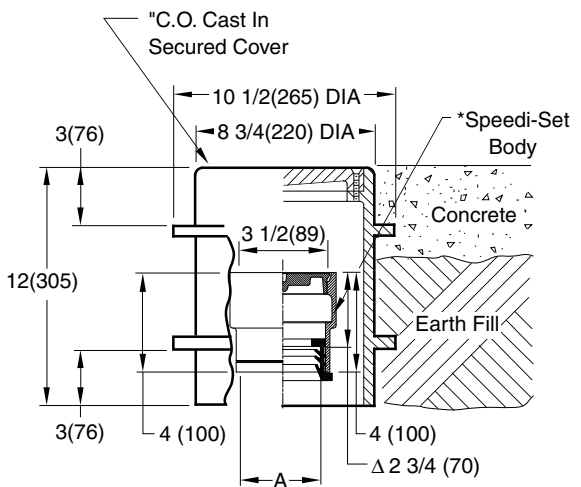


FLOOR CLEANOUTS FOR UNFINISHED AREAS

ROUND FLANGED HOUSING WITH HEAVY DUTY CAST IRON COVER

FUNCTION: Used in outside and inside areas. High flange permits use in areas surfaced with concrete or other poured materials. Low flange is used with a ring of concrete poured below the surface for non-surfaced areas and areas surfaced with asphalt paving. Housing is completely free of piping so that no loading is transmitted to the pipe.



"A" (Pipe Size) = 02(50), 03(75) or 04(100)

"A" (Pipe Size) = 02(50), 03(75), 04(100) or 05(125)

NO-HUB OUTLET <input type="checkbox"/> Fig. 4250S <input type="checkbox"/> Fig. 4251S <input type="checkbox"/> Fig. 4253S <input type="checkbox"/> Fig. 4254S	SPEEDI-SET*ΔΔ <input type="checkbox"/> 4261L Gasket Seal - ABS Plug*** <input type="checkbox"/> 4262L Gasket Seal - Bronze Plug <input type="checkbox"/> 4263L Taper Thread - Bronze Plug <input type="checkbox"/> 4264L Taper Thread - ABS Plug	INSIDE CAULK OUTLET <input type="checkbox"/> Fig. 4255C <input type="checkbox"/> Fig. 4256C <input type="checkbox"/> Fig. 4258C <input type="checkbox"/> Fig. 4259C
--	---	--

*Speedi-Set available in 02(50),03(80) and 04(100) inch sizes only
 ***ABS plug regularly furnished all outlets in 02(50),03(80) and 04(100) inch sizes and 05(125) inch spigot.
 Δ This Dimension to Internal Stop of Speedi-Set Gasket.
 ΔΔ Available in Extra Heavy, Service Weight or NO-HUB.

REGULARLY FURNISHED:
 Duco Cast Iron Cleanout and Double Flanged Housing with Heavy Duty Secured Scoriated Cast Iron Cover with Lifting Device. Closure Plug and Type of Outlet as Indicated By Figure Number Selected.

VARIATIONS:
 Cover Cast with Words "Gas Shut-Off" -GSO or "Water Shut-Off" -WSO
 Less Ferrule and Plug (See Fig. 4880)
 Vandal Proof Top -U

OPTIONAL MATERIALS:
 Galvanized Cast Iron -G

NOTE: Dimensions shown in parentheses are in millimeters.

DRAWING NUMBER S4250, 4261
SIZE A
SCALE: NONE
DATE: 7-10-85
APPROVED BY: JM
CHECKED BY: BH
DRAWN BY: RK
FIGURE NUMBER 4250, 4261

WE CAN ASSUME NO RESPONSIBILITY FOR USE OF SUPERSEDED OR VOID DATA
DIMENSIONS ARE SUBJECT TO MANUFACTURERS TOLERANCE AND CHANGE WITHOUT NOTICE

L K J	05/07/01 04/12/01 02/02/01	Edited Outlet Text Added dimension and note New Design	JJ JJ JJ	BS BS BS	WEIGHT POUNDS	VOLUME CUBIC FEET	FIGURE NUMBER 4250, 4261
REV.	DATE	DESCRIPTION	BY	CKD. BY			



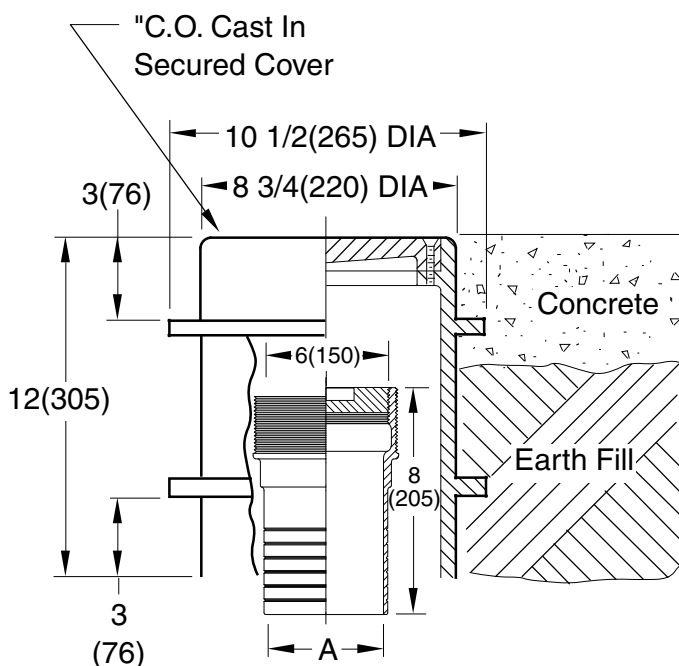
MEMBER OF:

LOCATION

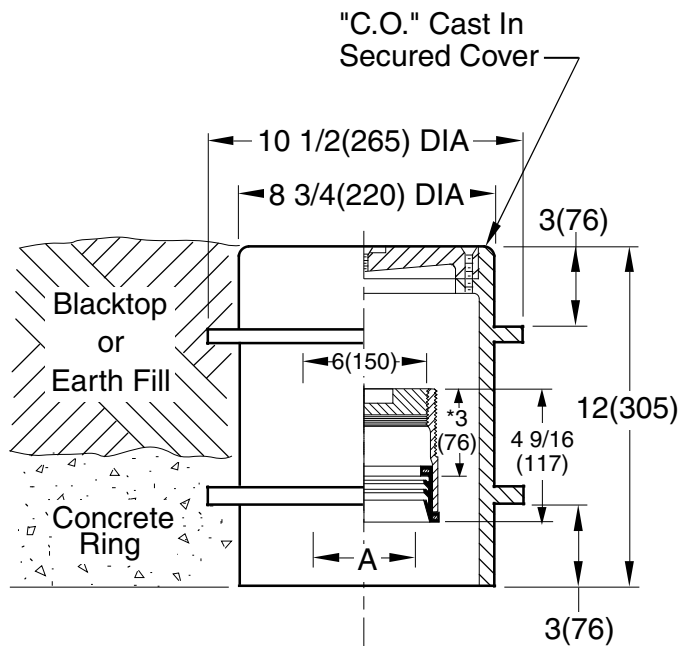
FLOOR CLEANOUTS FOR UNFINISHED AREAS

ROUND FLANGED HOUSING WITH HEAVY DUTY CAST IRON COVER

FUNCTION: Used in outside and inside areas. High flange permits use in areas surfaced with concrete or other poured materials. Low flange is used with a ring of concrete poured below the surface for non-surfaced areas and areas surfaced with asphalt paving. Housing is completely free of piping so that no loading is transmitted to the pipe.



"A" (Pipe Size) = 06(150) or 08(200)



"A" (Pipe Size) = 06(150)

SPIGOT OUTLET**

Fig. 4253STaper Thread - Bronze Plug.....

SPEEDI-SET ▲

Fig. 4263L

**Sized for Service Weight and/or NO-HUB.

*This Dimension to Internal Stop of Speedi-Seal Gasket
 ▲ Available in "L" Service Weight, "LXH" Extra Heavy or "LPVC" PVC OR ABS. "LPVC" applicable to 06(150) pipe size only.

REGULARLY FURNISHED:

Duco Cast Iron Cleanout with Taper Thread Bronze Plug and Double Flanged Housing with Heavy Duty Secured Scoriated Cast Iron Cover with Lifting Device.

VARIATIONS:

- Cover Cast with Words "Gas Shut-Off" -GSO or "Water Shut-Off" -WSO
- Less Ferrule and Plug (See Fig. 4880)
- Vandal Proof Top -U

OPTIONAL MATERIALS:

- Galvanized Cast Iron -G

NOTE: Dimensions shown in parentheses are in millimeters.

DRAWING NUMBER
S4250, 4261BS

SIZE
A

SCALE:
NONE

DATE:
5-5-06

APPROVED BY:
CEL

CHECKED BY:
CL

DRAWN BY:
RN

FIGURE NUMBER
4253, 4263

DIMENSIONS ARE SUBJECT TO MANUFACTURERS TOLERANCE AND CHANGE WITHOUT NOTICE

REV.	DATE	DESCRIPTION	BY	CKD. BY

WEIGHT POUNDS	VOLUME CUBIC FEET

FIGURE NUMBER 4253, 4263
