

## 4429 Series

# Jay R. Smith Mfg. Co. Wholesaler's Parts Order Number Guide



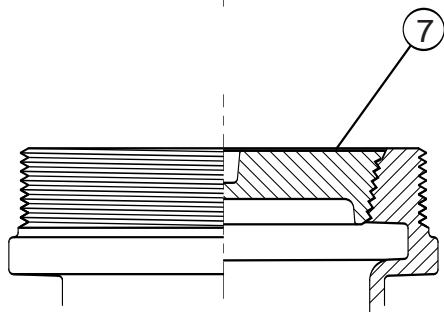
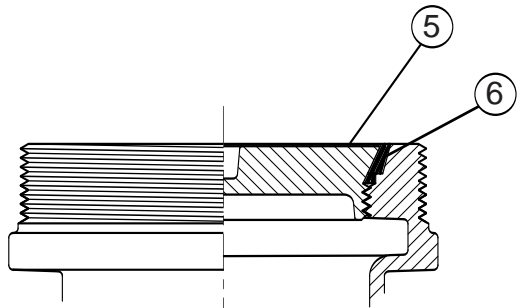
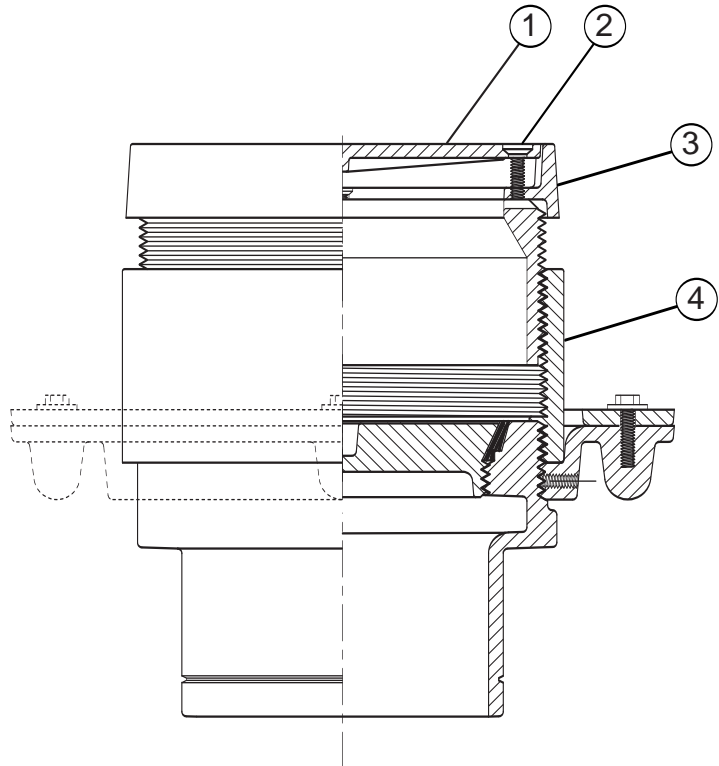
2" 4429 Caulk w/NB Top	4429C02NB
3" 4429 Caulk w/NB Top	4429C03NB
4" 4429 Caulk w/NB Top	4429C04NB
6" 4429 Caulk w/NB Top	4429C06NB
2" 4429 Caulk w/PB Top	4429C02PB
3" 4429 Caulk w/PB Top	4429C03PB
4" 4429 Caulk w/PB Top	4429C04PB
6" 4429 Caulk w/PB Top	4429C06PB
2" 4429 No-Hub w/NB Top	4429Y02NB
3" 4429 No-Hub w/NB Top	4429Y03NB
4" 4429 No-Hub w/NB Top	4429Y04NB
6" 4429 No-Hub w/NB Top	4429Y06NBFB
2" 4429 No-Hub w/PB Top	4429Y02PB
3" 4429 No-Hub w/PB Top	4429Y03PB
4" 4429 No-Hub w/PB Top	4429Y04PB
6" 4429 No-Hub w/PB Top	4429Y06PBFB



Jay R. Smith Mfg. Co.  
Wholesaler's  
Parts Order Number Guide

4020, 4021, 4023  
4040, 4041, 4043  
NEW STYLE

PART	DESCRIPTION	ITEM NUMBER	
------	-------------	-------------	--



**4020 to 4240 Parts  
and Hardware**  
NEW STYLE  
Pg. 4-06-4-15

**Jay R. Smith Mfg. Co.  
Wholesaler's  
Parts Order Number Guide**



PART	DESCRIPTION	ITEM NUMBER	
1, 2	NB Cover w/Screws, 2 thru 4"	4020C04NB-NS	
1, 2	PB Cover w/Screws, 2 thru 4"	4020C04PB-NS	
3	NB Rim f/4020	06178-70-1	
3	PB Rim f/4020	06178-50-1	
1, 3	NB Cover and Rim Only f/4" 4020	4020NBTOP-CA	
1, 3	PB Cover and Rim Only f/4" 4020	4020PBTOP-CA	
1, 2	NB Cover w/Screws, 2 thru 4"	4040C04NB-NS	
1, 2	PB Cover w/Screws, 2 thru 4"	4040C04PB-NS	
3	NB Rim f/4040	06159-70-1	
3	PB Rim f/4040	06159-50-1	
1, 3	NB Cover and Rim Only f/2-4" 4040	4040NBTOP-CA	
1, 3	PB Cover and Rim Only f/2-4" 4040	4040PBTOP-CA	
2	Screws f/NB Cvr, 4020-4240 ea (3 reqd)	76053-80-6	
2	Screws f/PB Cvr, 4020-4240 ea (3 reqd)	76053-51-6	
1	Cast Iron Cover Only, 2-4", 4220	06144-10-0	
3	Heavy Duty Cast Iron Rim, 2-4", 4220	06189-10-0	
	CI Tractor Cover f/2-4", 4240	05847-10-0	
	DI Tractor Cover f/2-4", 4240	04888-20-0	
	CI Rim and Frame Assembly, 4240	06197-10-4	
2	Screws f/CI Cover 4220-4240, ea (3 reqd)	76048-80-6	



**Jay R. Smith Mfg. Co.  
Wholesaler's  
Parts Order Number Guide**

**Misc Parts, 4020  
to 4140 Top Assys  
NEW STYLE  
Cat Pg 4-06-4-10**

PART	DESCRIPTION	ITEM NUMBER	
4	ABS Frame Assembly	06161-42-4	
5	Bronze CO Plug f/Gasket Seal	06181-50-1	
5	ABS CO Plug f/Gasket Seal	06181-42-6	
6	Gasket f/Gasket Seal Plug	70094-94-6	
7	Bronze CO Plug f/Taper Thread	06963-50-1	
7	ABS CO Plug f/Taper Thread	06963-42-6	
*	Thread Protector Cap	76662-43-6	
*	Thread Shield	74425-43-6	
1,2,3	NB Top Assembly f/2-5"	4020NBTOP4-NS	
1,2,3	NB Top Assembly f/6"	4020NBTOP6-NS	
1,2,3	PB Top Assembly f/2-5"	4020PBTOP4-NS	
1,2,3	PB Top Assembly f/6"	4020PBTOP6-NS	
1,2,3	NB Top Assembly f/2-5"	4040NBTOP4-NS	
1,2,3	NB Top Assembly f/6"	4040NBTOP6-NS	
1,2,3	PB Top Assembly f/2-5"	4040PBTOP4-NS	
1,2,3	PB Top Assembly f/6"	4040PBTOP6-NS	
1,2,3	NB Top Assembly f/2-5"	4100NBTOP4-NS	
1,2,3	NB Top Assembly f/6"	4100NBTOP6-NS	
1,2,3	PB Top Assembly f/2-5"	4100PBTOP4-NS	
1,2,3	PB Top Assembly f/6"	4100PBTOP6-NS	
1,2,3	NB Top Assembly f/2-5"	4120NBTOP4-NS	
1,2,3	NB Top Assembly f/6"	4120NBTOP6-NS	
1,2,3	PB Top Assembly f/2-5"	4120PBTOP4-NS	
1,2,3	PB Top Assembly f/6"	4120PBTOP6-NS	
1,2,3	NB Top Assembly f/2-5"	4140NBTOP4-NS	
1,2,3	NB Top Assembly f/6"	4140NBTOP6-NS	



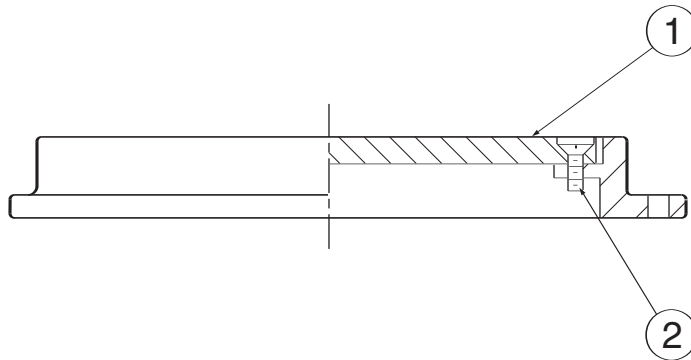
1,2,3	PB Top Assembly f/2-5"	4140PBTOP4-NS
1,2,3	PB Top Assembly f/6"	4140PBTOP6-NS
1,2,3	NB Top Assembly f/2-5"	4160NBTOP4-NS
1,2,3	NB Top Assembly f/6"	4160NBTOP6-NS
1,2,3	PB Top Assembly f/2-5"	4160PBTOP4-NS
1,2,3	PB Top Assembly f/6"	4160PBTOP6-NS
1,2,3	NB Top Assembly f/2-5"	4180NBTOP4-NS
1,2,3	NB Top Assembly f/6"	4180NBTOP6-NS
1,2,3	PB Top Assembly f/2-5"	4180PBTOP4-NS
1,2,3	PB Top Assembly f/6"	4180PBTOP6-NS
1,2,3	NB Top Assembly f/2-5"	4200NBTOP4-NS
1,2,3	NB Top Assembly f/6"	4200NBTOP6-NS
1,2,3	PB Top Assembly f/2-5"	4200PBTOP4-NS
1,2,3	PB Top Assembly f/6"	4200PBTOP6-NS
1,2,3	CI Cover, Rim and Frame Assy f/2-5"	4220-4-NS
1,2,3	CI Cover, Rim and Frame Assy f/6"	4220-6-NS
1,2,3	DI Cover, Rim and Frame Assy f/2-5	4220-4M-NS
1,2,3	DI Cover, Rim and Frame Assy f/6"	4220-6M-NS
1,2,3	CI Cover, Rim and Frame Assy f/2-5"	4240-4-NS
1,2,3	CI Cover, Rim and Frame Assy f/6"	4240-6-NS
1,2,3	DI Cover, Rim and Frame Assy f/2-5	4240-4M-NS
1,2,3	DI Cover, Rim and Frame Assy f/6"	4240-6M-NS
1,2,3	NB Cover, Rim and Frame Assy f/4-5"	4240-4NBT-NS
1,2,3	NB Cover, Rim and Frame Assy f/6"	4240-6NBT-NS
1,2,3	PB Cover, Rim and Frame Assy f/4-5"	4240-4PBT-NS
1,2,3	PB Cover, Rim and Frame Assy f/6"	4240-6PBT-NS
	Add for Vandal Proof Screws	
	Add for Torx Screws w/Center Pin	



Jay R. Smith Mfg. Co.  
Wholesaler's  
Parts Order Number Guide

4810  
Cat Pg 4-27

PART	DESCRIPTION	ITEM NUMBER
1	NB Cover w/Screws, 2 thru 4"	4810CVR4NB
1	NB Cover w/Screws, 5"	4810CVR5NB
1	NB Cover w/Screws, 6"	4810CVR6NB
1	NB Cover w/Screws, 8"	4810CVR8NB
1	NB Cover w/Screws, 10"	4810CVR10NB
1	PB Cover w/Screws, 2 thru 4"	4810CVR4PB
1	PB Cover w/Screws, 5"	4810CVR5PB
1	PB Cover w/Screws, 6"	4810CVR6PB
1	PB Cover w/Screws, 8"	4810CVR8PB
1	PB Cover w/Screws, 10"	4810CVR10PB
2	10-24 x 3/8" NB Screw, ea (3 reqd)	76022-80-6
2	10-24 x 3/8" PB Screw, ea (3 reqd)	76022-51-6



4880

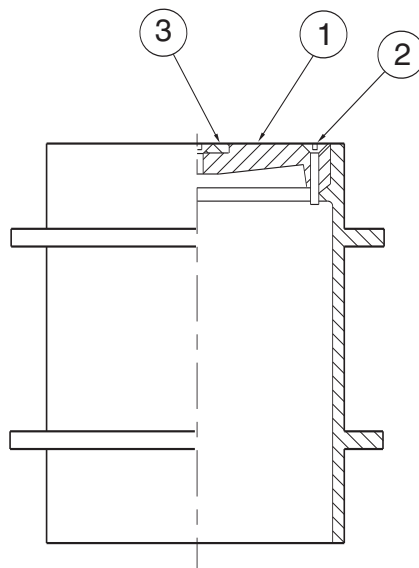
Jay R. Smith Mfg. Co.  
Wholesaler's  
Parts Order Number Guide



PART	DESCRIPTION	ITEM NUMBER	
------	-------------	-------------	--

1, 2, 3	Cast Iron Cover Assembly	4880CA	
1, 2, 3	Ductile Iron Cover Assembly	4880CVR-DI	
2	Screws (3) for Cover	4880CVRSCR	
3	Lift Ring Assembly	4880LRA	

	Cast Iron Housing and Cover	4880	
	Ductile Iron Housing and Cover	4880DI	
	NB Housing and Cover	4880NB	
	PB Housing and Cover	4880PB	
	Ductile Iron Cover		
	Nickel Bronze Top		
	Polished Bronze Top		
	Vandal Proof Screws		
	Torx Screws w/Center Pin		





Jay R. Smith Mfg. Co.  
Wholesaler's  
Parts Order Number Guide

4890  
Cat Pg 4-27

PART	DESCRIPTION	ITEM NUMBER
1	NB Cover for 02"	4890CVR02NB
1	NB Cover for 03"	4890CVR03NB
1	NB Cover for 04"	4890CVR04NB
1	NB Cover for 06"	4890CVR06NB
1	NB Cover for 08"	4890CVR08NB
1	PB Cover for 02"	4890CVR02PB
1	PB Cover for 03"	4890CVR03PB
1	PB Cover for 04"	4890CVR04PB
1	PB Cover for 06"	4890CVR06PB
1	PB Cover for 08"	4890CVR08PB

