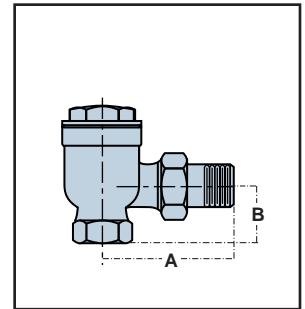
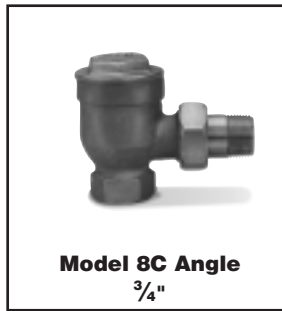
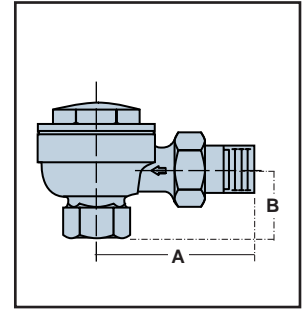


Thermostatic Steam Traps (continued)

Series 8C Balanced Pressure **BEARTRAP**

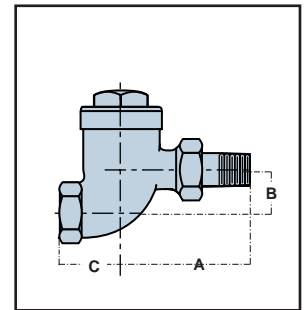
The Series 8C Balanced Pressure Thermostatic Steam Traps are for institutional and commercial heating system applications or others that require high capacity operation.

- Sizes available:
 - 1/2" NPT and BSPT Angle
 - 3/4" NPT and BSPT Angle or Straightaway
- Subcooling for extremely efficient system operation and elimination of flash steam losses on low pressure systems
- Replaceable Dura-Stat® module
- 3-Year Warranty
- Meets Mil specification WW-T-696-E Type V, Style A, Class 1 - 4
- Stainless steel components
- Resistant to moderate water hammer and chemical attack
- Maximum operating pressure 125 psig (8.6 bar)



Dimensions, in. (mm)

Model	Pattern	Size	A	B	C
8C	Angle	1/2	2 ²⁷ / ₃₂ (72)	1 ¹ / ₄ (32)	—
8C	Angle	3/4	3 ¹ / ₈ (79)	1 ¹ / ₂ (38)	—
8C	Straightaway	3/4	3 ³ / ₃₂ (80)	1 ¹ / ₈ (29)	1 ⁵ / ₈ (41)



Ordering Information

NPT Model Number	BSPT Model Number	Size in.	NPT Part Number	BSPT Part Number	Differential Pressure Rating psi (bar)	Weight lbs. (kg)
8C-A-2-125	8C-A-2J-125 Angle 1/2"	1/2	402002	402008	125 (8.6)	1.5 (.7)
8C-A-3-125	8C-A-3J-125 Angle 3/4"	3/4	402003	402009	125 (8.6)	1.5 (.7)
8C-S-3-125 Straightaway 3/4"		3/4	402004		125 (8.6)	1.5 (.6)

Gross Ratings

Series	Differential Across Trap psi (bar)											
	1/4 (.017)	1/2 (.034)	1 (.069)	1 1/2 (.10)	2 (.14)	5 (.35)	10 (.7)	15 (1.0)	25 (1.7)	50 (3.5)	100 (6.9)	125 (8.6)
8C	Capacity lbs./hr (kg/hr)											
	110 (50)	150 (68)	210 (95)	255 (116)	300 (136)	480 (218)	760 (345)	950 (431)	1350 (612)	2100 (953)	3500 (1590)	4200 (1905)

Series 8C capacities are based on 30° F (17°C) subcooling. Cold capacity is approximately 2 times capacity shown.