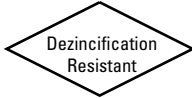


Bronze Ball Valves

Three-Piece Body • Full Port • Copper Stub Ends • Type K (straight) • Type L (expanded) •
Cleaned and Bagged for OX Service • Bronze Trim • Blowout-Proof Stem



600 PSI/41.4 bar non-shock cold working pressure
200 PSI/13.8 bar for medical gas

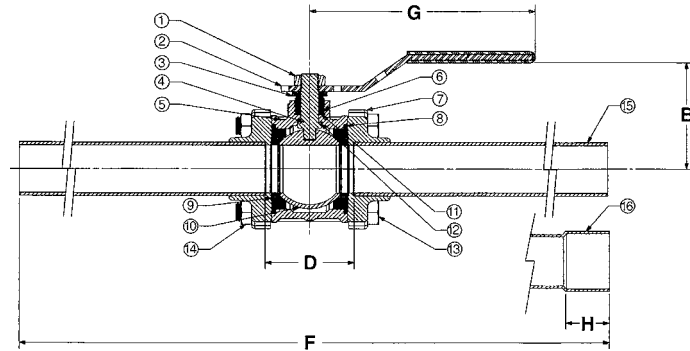
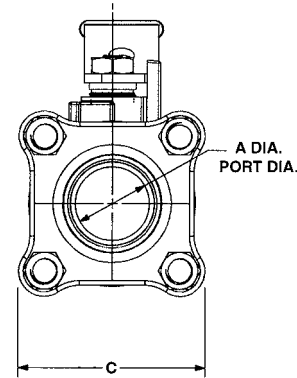
CONFORMS TO MSS SP-110

MATERIAL LIST

PART	SPECIFICATION
1. Handle Nut	Zinc Plated Steel
2. Handle	Zinc Plated Steel Clear Chromate Plastisol Coated
3. Threaded Pack Gland	Brass ASTM B 16 Alloy C36000
4. Stem	Silicon Bronze ASTM B 371 Alloy C69430 or ASTM B 99 Alloy C65100
5. Body	Bronze ASTM B 584 Alloy C84400
6. Packing	PTFE
7. Body End (2)	Bronze ASTM B 584 Alloy C84400
8. O-Ring Seal (2)	Fluoroelastomer Rubber
9. Seat Ring (2)	PTFE
10. Ball	Brass ASTM B 124 Alloy C37700 or ASTM B16 Alloy C36000 EACH with Hard Chrome Plate
11. Ground Washer	Stainless Steel ASTM A 167 Type 304
12. Thrust Washer	Reinforced PTFE
13. Body Bolts	Zinc Dichromate Plated Steel ASTM A 449 Grade 5
14. Body Nuts	Zinc Dichromate Plated Steel ASTM A 449 Grade 5
15. Straight Stub Out (2)	6" Copper Tube Type K
16. Expanded Stub Out (2)	6" Copper Tube Type L (Specify EC)



CS-595-YX-EC
Copper Stub Ends



CS-595-YX/CS-595-YX-EC
CSE x CSE

Note: valves are static grounded by a grounding washer. (not shown)

Testing

The CS-595-YX series are tested to MSS SP-110. For applications that require a 150 PSI dry nitrogen test, please contact NIBCO Technical Services.

MSS SP-110 Test parameters are as follows:

Shell Test = 80 PSI air under water for 5 seconds or 1.5 x CWP hydrostatic for 15 seconds.

Seat Test = 80 PSI air under water for 5 seconds or 1.1 CWP hydrostatic for 15 seconds.

Oxygen Cleaning

NIBCO's internal cleaning procedure for cleaned and bagged bronze ball valves meets the requirements of NFPA99 and CGA Pamphlet G-4-1.

Medical Gas Service

NFPA 99 sets a maximum operating limit for medical gases of 185 PSI.

DIMENSIONS—WEIGHTS—QUANTITIES

Size	Dimensions												CS-595-YX/EC	Master Ctn. Qty.				
	A	B	C	D	F	G	H	Lbs.	Kg.									
In. mm.	In. mm.	In. mm.	In. mm.	In. mm.	In. mm.	In. mm.	In. mm.	In. mm.	In. mm.	In. mm.	In. mm.	In. mm.	In. mm.	In. mm.				
½	15	50	13	1.69	43	1.81	46	1.11	28	13.11	333	3.91	99	.50	13	1.22	.55	10
¾	20	.75	19	2.00	51	1.94	50	1.41	36	13.41	341	4.66	118	.75	19	2.25	1.02	10
1	25	1.00	25	2.25	57	2.50	64	1.81	46	13.81	351	4.66	118	.91	23	3.23	1.47	10
1¼	32	1.25	32	2.75	70	2.69	68	1.96	50	13.96	355	6.69	170	.97	25	4.41	2.00	4
1½	40	1.50	38	2.97	75	3.00	76	2.39	61	14.39	366	6.69	170	1.09	28	6.61	3.00	4
2	50	2.00	51	3.63	92	4.00	102	3.04	77	15.04	382	6.69	170	1.34	34	11.67	5.29	4

**OXYGEN
SERVICE
OPTION
AVAILABLE**

Visit our website for the most current information.