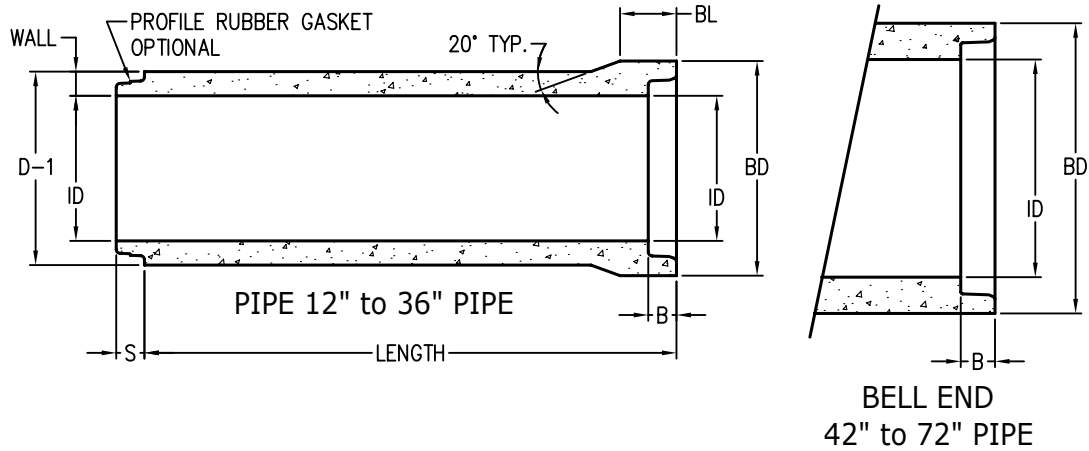


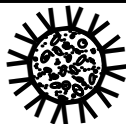
Reinforced Concrete Pipe SPECIAL ORDER SIZES



SIZE (ID)	WALL (in)	LENGTH	BL (in)	B (in)	S (in)	D-1 (in)	BD (in)	TONS/8' LG	LBS/8' LG
12	2	8'-0"	6 1/2	3 1/2	3 1/2	16	19 5/8	.41	820
15	2 1/4	8'-0"	6 1/2	3 1/2	3 1/2	19 1/2	23 1/8	.61	1,220
18	2 1/2	8'-0"	6 1/2	3 1/2	3 1/2	23	26 5/8	.78	1,560
24	3	8'-0"	7	3 1/2	3 1/2	30	32 5/8	1.25	2,500
30	4 1/4	8'-0"	5 1/2	3 1/2	3 1/2	38 1/2	42 1/2	2.10	4,200
36	4 3/4	8'-0"	7	3 1/2	3 1/2	45 1/2	50 1/4	2.84	5,680
42	4 1/2	8'-0"	—	4 1/4	4 1/4	51	51	3.0	6,000
48	5 3/4	8'-0"	—	4 1/4	4 1/4	59 1/2	59 1/2	4.46	8,920
60	6 3/4	8'-0"	—	4 3/4	4 3/4	73 1/2	73 1/2	6.45	12,900
72	7 3/4	8'-0"	—	5	5	87 1/2	87 1/2	8.89	17,780

12" WALL B - CLASS II & III	SPECIAL ORDER
15" WALL B - CLASS II & III	SPECIAL ORDER
18" WALL B - CLASS II & III	SPECIAL ORDER
24" WALL B - CLASS II & III	SPECIAL ORDER
30" WALL C - CLASS II & III	SPECIAL ORDER
36" WALL C - CLASS II & III	SPECIAL ORDER
42" WALL B - CLASS II, III, IV & V	SPECIAL ORDER
48" WALL C - CLASS II, III, & V	SPECIAL ORDER
60" WALL C - CLASS II, III, & V	SPECIAL ORDER
72" WALL C - CLASS II, III, IV & V	SPECIAL ORDER

PIPE CONFORMS TO - ASTM C76 & AASHTO M170
RUBBER GASKET CONFORMS TO ASTM C443



UNITED CONCRETE PRODUCTS INC.

173 CHURCH STREET
YALESVILLE, CT 06492

TEL. (800) 234-3119
TEL. (203) 269-3119

FAX. (203) 265-4941
WWW.UNITEDCONCRETE.COM