

Super-Vee™

The Small Drain Specialist

The Super-Vee offers you a complete system for cleaning drain lines through 3" in diameter. With a variety of cables, cutter and accessories available, you have the right combination for any clogged drain problem.

The Super-Vee is built to clear clogged drains for a decade or more. And our Dyna-Thrust™ bearing system is one reason why. It helps carry the weight of the drum, significantly reducing wear on the motor shaft bearing and extending the life of the tool.

Of course the cables are Flexicore® – with an integral wire rope center. Nobody makes cables like General.

Slide Action Chuck: With a quick movement of the Grip Shield, you release or engage the cable – without the need for a chuck, and with automatic adjustment for different cable diameters. As a result, you get your cable into the line faster, pull it out faster, and have full control at all times. Because the Slide Action Chuck is linked to the Grip Shield, handling is easy and comfortable.

Slide shield **BACK**
to grip cable...



Slide Grip Shield **FORWARD**
to release cable...

It's that quick!

Quick-Change Cable Cartridges: To switch to a different diameter cable (or even connect two 3/8" cables together), you just loosen three screws, pull the front of the drum off the cable, and load another cartridge. Changing takes less than a minute and turns what could be a messy job into a clean one. The tough plastic cartridges are so inexpensive, you'll probably want to store all of your Super-Vee cables in them.



The toughest tools down the line.™

General / **General Wire Spring Co.**
PIPE CLEANERS

1101 Thompson Avenue • McKees Rocks, PA 15136 USA
800-245-6200 or 412-771-6300 • Fax: 412-771-2771
www.drainbrain.com • e-mail: info@drainbrain.com

Continued next page

Super-Vee Units

Complete and Ready to Operate

SV-A-WC with case, 25 ft. x 1/4" (25HE1),
25 ft. x 3/8" (25HE2) cables,
HECS cutter set and cartridges. Boxed wt. 32 lbs.

SV-B-WC with case, 25 ft. x 1/4" (25HE1),
35 ft. x 3/8" (35HE2) cables,
HECS cutter set and cartridges. Boxed wt. 35 lbs.

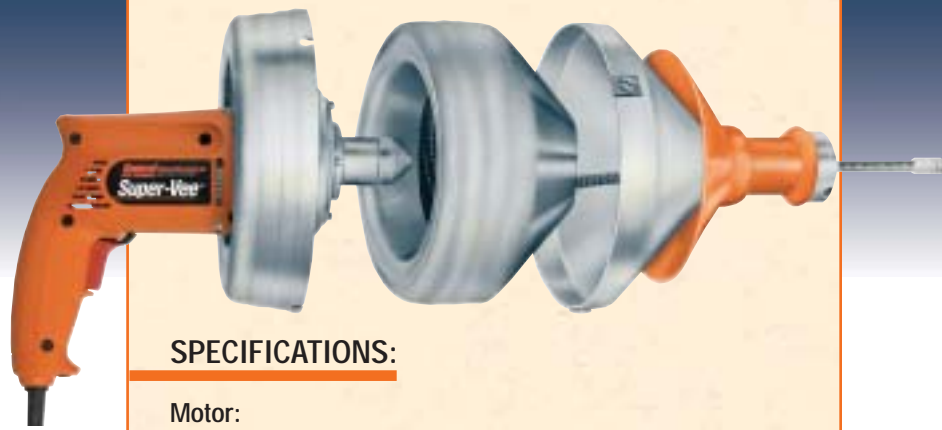
SV-C-WC with case, 50 ft. x 1/4" (50HE1),
35 ft. x 3/8" (35HE2) cables,
HECS cutter set and cartridges. Boxed wt. 39 lbs.

SV-D-WC with case and 25 ft. x 5/16" (25HE1-A) cable.
Boxed wt. 25 lbs.

SV-F-WC with case and 25 ft. x 1/4" (25HE1) cable.
Boxed wt. 21 lbs.

To order without case, delete suffix "WC", as SV-A.

220/230 & 240 Volt/50 Hz and Cordless units are available.



SPECIFICATIONS:

Motor:

All ball-bearing, double-insulated, reversible motor with variable speed control; 0 – 500 rpm.

Drum:

Heavy gauge stamped aluminum with inner drum to prevent cable tangling.

Capacity:

50 ft. of 1/4" or 5/16" cable; 35 ft. of 3/8" cable. All cables are left hand wound and reinforced with a wire rope center.

Cutter Set:

See below.

Cable Cartridges:

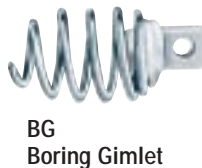
Light weight, impact resistant plastic.

Slide Action Chuck:

Grip shield moves back to engage cable, forward to release it. Automatically adjusts for different diameter cables.

 LISTED and CSA APPROVED

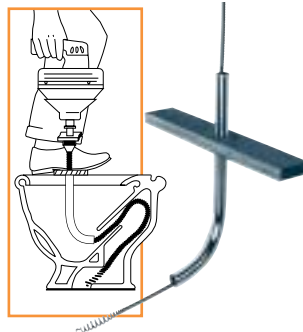
5-Piece Cutter Set *For Use Only With Cables Having Connectors*



Options



CAA
Closet Auger Attachment
Guides 1/4" or 5/16"
cable into bowl



The toughest tools down the line.™

General / **General Wire Spring Co.**
PIPE CLEANERS

1101 Thompson Avenue • McKees Rocks, PA 15136 USA
800-245-6200 or 412-771-6300 • Fax: 412-771-2771
www.drainbrain.com • e-mail: info@drainbrain.com