

Yorkshire Technical Specification

Robe Hook

5303

Stock Numbers:

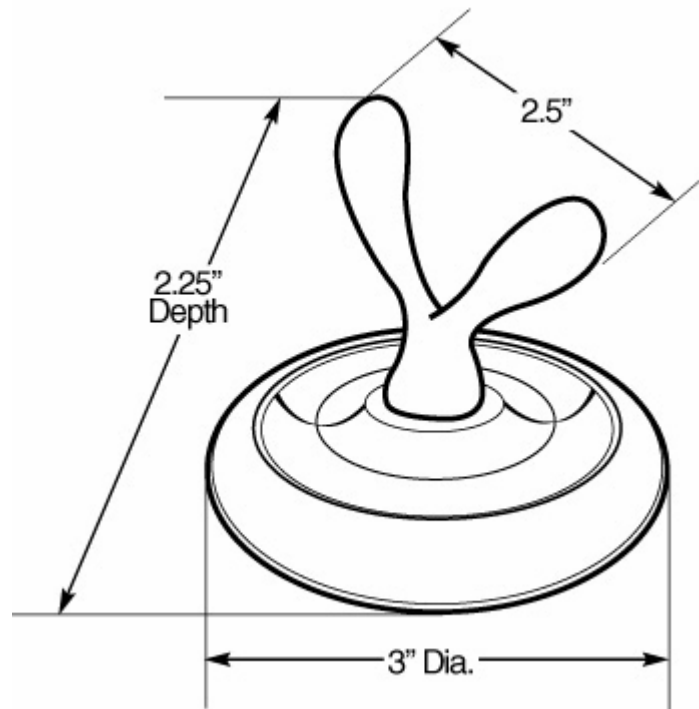
- q **5303PB – Robe Hook**
Polished Brass Finish
Concealed Screw Mounting
- q **5303CH – Robe Hook**
Polished Chrome Finish
Concealed Screw Mounting
- q **5303CB – Robe Hook**
Chrome & Brass Finish
Concealed Screw Mounting
- q **BP5303SN – Robe Hook**
Satin Nickel Finish
Concealed Screw Mounting

“BP” skus in wholesale packaging

Materials:

Robe Hook is die cast from highest quality zinc alloy (zamac). Castings are triple plated in a polished brass, polished chrome or combination chrome and brass finish.

Dimensions:



Installation Instructions:

1. Position the mounting plate on the wall at desired location with “UP” facing you.
2. One at a time, place each anchor screw through the mounting plate, centered in each large hole. Using a Phillips screwdriver, turn the anchor screw while applying pressure. Screw will self drill and tap into drywall. Do not over tighten.
3. Place assembly over the mounting plate, setscrew facing down.
4. Tighten setscrew.

Cleaning Instructions:

To preserve the fine finish of this product, clean only with a soft damp cloth. Dry well. Do not use commercial or abrasive cleaners.

Stock Number: _____ **Robe Hook**
By CSI Bath Furnishings

