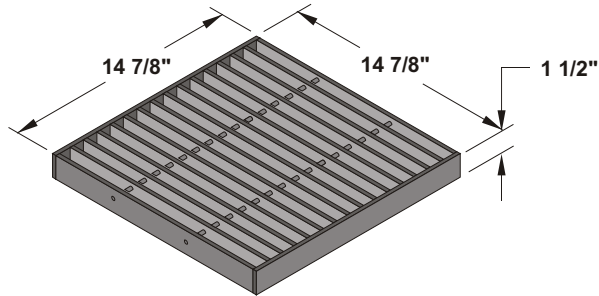


1212 CAST IRON GRATE

PARKWAY ONLY 28 lbs.

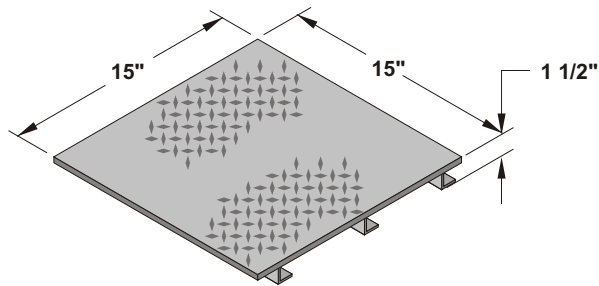
1212 STEEL GRATES

PARKWAY 16 lbs.
TRAFFIC 18 lbs.



1212 STEEL COVER

PARKWAY 22 lbs.
TRAFFIC 25 lbs.



NOTES:

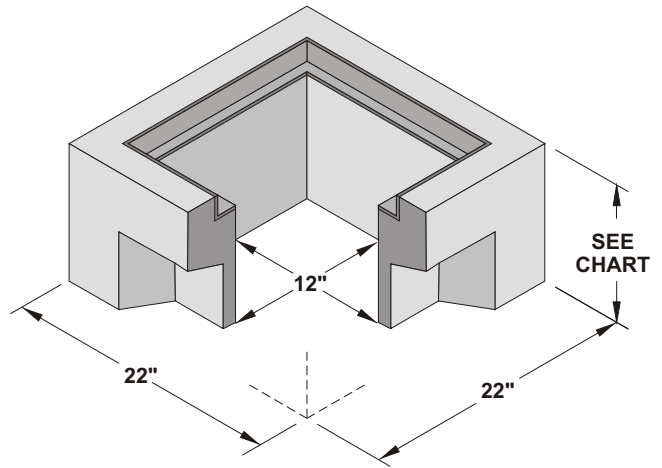
1. GRATES AND COVERS AVAILABLE PAINTED BLACK OR GALVANIZED
2. "ADA" GRATES AVAILABLE IN PARKWAY & TRAFFIC
3. "HEEL PROOF" GRATES AVAILABLE IN PARKWAY & TRAFFIC
4. A TOP SECTION WITH FRAME MUST BE USED IF BOLT DOWN REQUIRED

TOP SECTION	HT.	LBS	KNOCK-OUT
1212 T6	6"	170	NONE
1212 T12	12"	275	(4) 5" x 10"
1212 T18	18"	270	(4) 8" x 12"
1212 T24	24"	430	(4) 8" x 15"
1212 T28	28"	380	(4) 8" x 22"

EXTENSION SECTION	HT.	LBS	KNOCK-OUT
1212 E6	6"	170	NONE

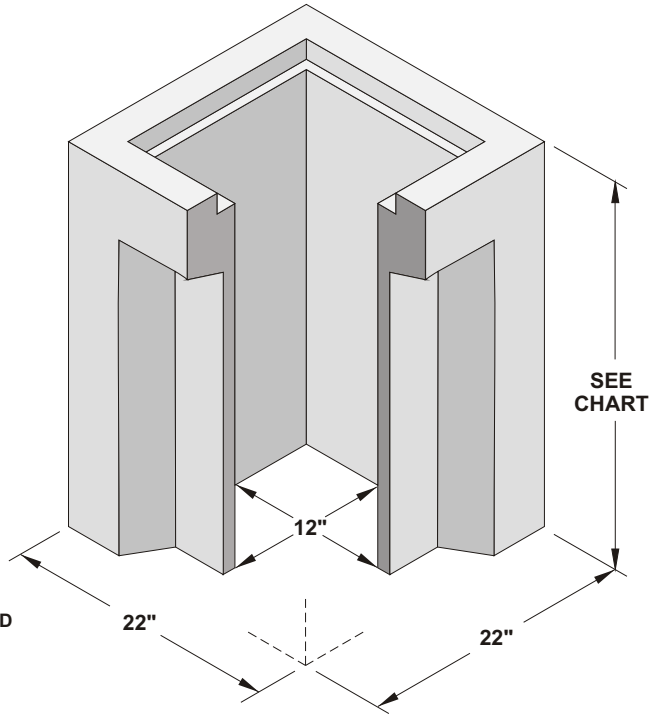
LOWER SECTION	HT.	LBS	KNOCK-OUT
1212 L12	12"	275	(4) 5" x 10"
1212 L18	18"	270	(4) 8" x 12"
1212 L24	24"	430	(4) 8" x 15"
1212 L28	28"	380	(4) 8" x 22"

1212 TOP SECTION (WITH GALVANIZED FRAME)



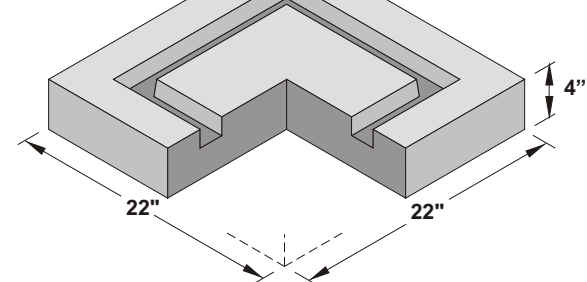
1212 LOWER SECTION (NO FRAME)

NOTE: USE 12", 18", 24", 28" LOWERS TO INCREASE DEPTH UP TO A MAXIMUM OF 72"



1212 BASE

WT. 165 lbs



<p>12" x 12" CATCH BASIN</p>		
<p>ORG. DWG. DATE 04-20-95</p>	<p>REV. DWG. DATE 05-18-00</p>	
<p>1212 CB</p>		

7
-
0
1