

Features

- Without overflow.
- Drilled for concealed arm carrier.
- With hanger.
- Single-hole faucet drilling.
- Soap dispenser hole on left.
- 20-3/4" (527 mm) x 18-1/4" (464 mm).

Material

- Vitreous china.

Installation

- Wall-mount

Recommended Accessories

K- 8998 P-Trap

Optional Accessories

K- 1808-P Bathroom Sink Brackets

Components

Additional included component/s: Hanger (2 Required).



ADA

Codes/Standards

ASME A112.19.2/CSA B45.1
ADA
ICC/ANSI A117.1

KOHLER® One-Year Limited Warranty

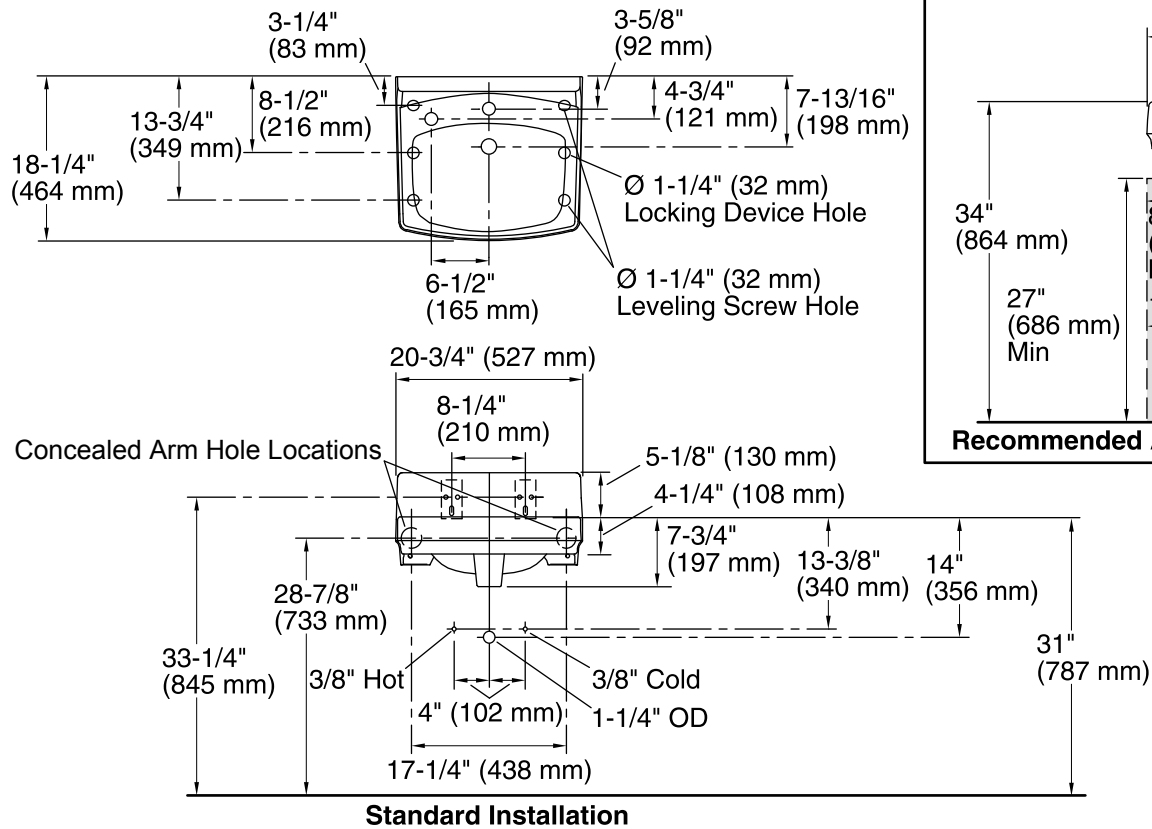
See website for detailed warranty information.

Available Color/Finishes

Color tiles intended for reference only.

| Color | Code | Description |
|-------|------|-------------|
|-------|------|-------------|

| | | |
|--|---|-------|
|  | 0 | White |
|--|---|-------|



Technical Information

All product dimensions are nominal.

| | |
|-----------------------|--|
| Bowl configuration: | Single |
| Installation: | Wall-mount |
| Bowl area (Only) | Length: 10" (254 mm) Width: 15" (381 mm) With overflow: Yes Water depth: 3-1/4" (83 mm) |
| Bowl area | With overflow: Yes |
| Number of deck holes: | 2 |
| Faucet hole(s): | 1-3/8" (35 mm) |
| Soap/Lotion hole: | 1-1/4" (32 mm) |
| Drain hole: | 1-3/4" (44 mm) |

Notes

Install this product according to the installation guide.

ADA compliant when installed to the specific requirements of these regulations.