



**Staccato™**  
Top-mount Kitchen Sink  
**K-3369-1**

**Features**

- 36-inch minimum base cabinet width.
- Double-equal bowls.
- 8" Basin depth.
- Single faucet hole.
- SilentShield® sound-absorption technology offers quieter performance.
- Includes hardwood cutting board.
- Includes installation hardware.

**Material**

- Premium 18-gauge stainless steel.

**Installation**

- Top-mount.

**Recommended Products/Accessories**

- K-5117 Right-Bowl Sink Rack
- K-5119 Left-Bowl Sink Rack
- K-8801 Sink Strainer
- K-8799 Sink Strainer
- K-23726 Drain treatment
- K-23729 Stainless steel cleaner

**Optional Products/Accessories**

- K-3370 Cutting Board
- K-8813 Manual Sink Strainer with Tailpiece
- K-11352 Disposal Flange with Stopper

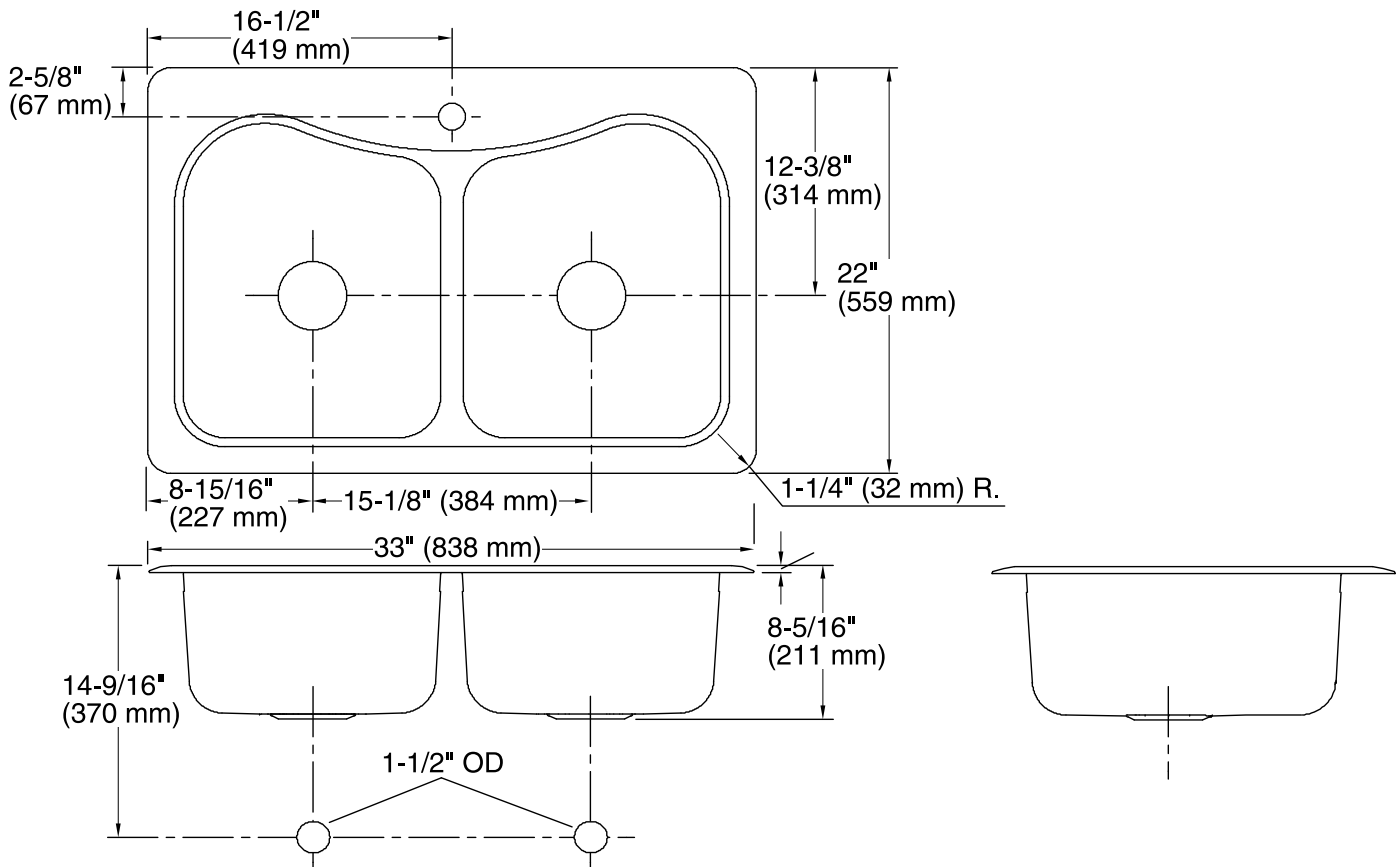


**Codes/Standards**

ASME A112.19.3/CSA B45.4

**Lifetime Limited Warranty for  
KOHLER® Stainless Steel Sinks**

See website for detailed warranty information.



## Technical Information

All product dimensions are nominal.

Bowl configuration:	Double equal
Installation:	Top-mount
Cutout:	Top-mount, 32-1/2" x 21-1/2" (826 mm x 546 mm) with 1" (25 mm) radius corners
Min. base cabinet width:	36" (914 mm)
Bowl area (Left):	Length: 17-1/16" (433 mm) Width: 13-15/16" (354 mm) Bowl depth: 8-5/16" (211 mm) Water depth: 8" (203 mm)
Bowl area (Right):	Length: 17-1/16" (433 mm) Width: 13-15/16" (354 mm) Bowl depth: 8-5/16" (211 mm) Water depth: 8" (203 mm)
Number of deck holes:	1
Faucet hole(s):	1-7/16" (37 mm)
Drain hole:	3-5/8" (92 mm)

## Notes

Install this product according to the installation instructions.