

Features

- Brass construction
- Available with cross or lever handles
- Push-button diverter
- 35° and 90° spouts

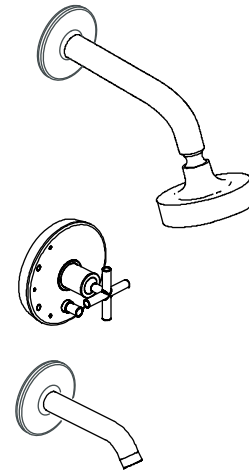
**BATH & SHOWER TRIM SET
K-T14420**

ALSO K-T14421, K-T14422, K-T14423

Codes/Standards Applicable

Specified model meets or exceeds the following:

- ASME A112.18.1/CSA B125.1
- ASSE 1016



Colors/Finishes

- CP: Polished Chrome
- Other: Refer to Price Book for additional colors/finishes

Accessories

- CP: Polished Chrome
- Other: Refer to Price Book for additional colors/finishes
- NA: None applicable

Specified Model

Model	Description	Colors/Finishes	
K-T14420-3	Bath & shower trim set, cross handle and 35° Spout (shown)	<input type="checkbox"/> CP	<input type="checkbox"/> Other ____
K-T14420-4	Bath & shower trim set, lever handle and 35° Spout	<input type="checkbox"/> CP	<input type="checkbox"/> Other ____
K-T14421-3	Bath & shower trim set, cross handle and 90° Spout	<input type="checkbox"/> CP	<input type="checkbox"/> Other ____
K-T14421-4	Bath & shower trim set, lever handle and 90° Spout	<input type="checkbox"/> CP	<input type="checkbox"/> Other ____
K-T14422-3	Shower only trim, cross handle	<input type="checkbox"/> CP	<input type="checkbox"/> Other ____
K-T14422-4	Shower only trim, lever handle	<input type="checkbox"/> CP	<input type="checkbox"/> Other ____
K-T14423-3	Non-Diverter valve only trim, cross handle	<input type="checkbox"/> CP	<input type="checkbox"/> Other ____
K-T14423-4	Non-Diverter valve only trim, lever handle	<input type="checkbox"/> CP	<input type="checkbox"/> Other ____
K-T14501-3	Valve W/diverter only trim, cross handle	<input type="checkbox"/> CP	<input type="checkbox"/> Other ____
K-T14501-4	Valve W/Diverter only trim, lever handle	<input type="checkbox"/> CP	<input type="checkbox"/> Other ____
K-14426	35° Bath spout	<input type="checkbox"/> CP	<input type="checkbox"/> Other ____
K-14427	90° Bath spout	<input type="checkbox"/> CP	<input type="checkbox"/> Other ____

Product Specification

The Rite-Temp® pressure-balancing single-handle bath & shower trim set shall be made of brass construction. Bath and shower trim shall include showerhead with arm and flange, non-diverter spout with NPT connection, and faceplate with handle and push-button diverter. Shower only trim shall include showerhead with arm and flange, and faceplate with handle. Valve only trim shall include faceplate with handle. Faucet shall be K-____-____-____ OR K-____-____, and Rite-Temp® valve shall be K-____-____-NA.

PURIST®

Required Accessories

K-304-*	Rite-Temp® valve OR	<input type="checkbox"/> NA
K-2971-KS	HiFlow Rite-Temp valve with stops OR	<input type="checkbox"/> NA
K-11748-K	Rite-Temp valve with diverter OR	<input type="checkbox"/> NA
K-11748-KS	Rite-Temp valve with diverter and stops	<input type="checkbox"/> NA

* For a complete listing of all the Rite-Temp valves, refer to the K-304-* Specification Sheet or Roughing-In Sheet.

Optional Accessories

88526	HiFlow Rite-Temp® thin wall installation kit	<input type="checkbox"/> CP	Other ____
1016154	Deep roughing-in kit for Rite-Temp® valve (lever and cross handles)	<input type="checkbox"/> CP	Other ____

Installation Notes

Install this product according to the installation guide.

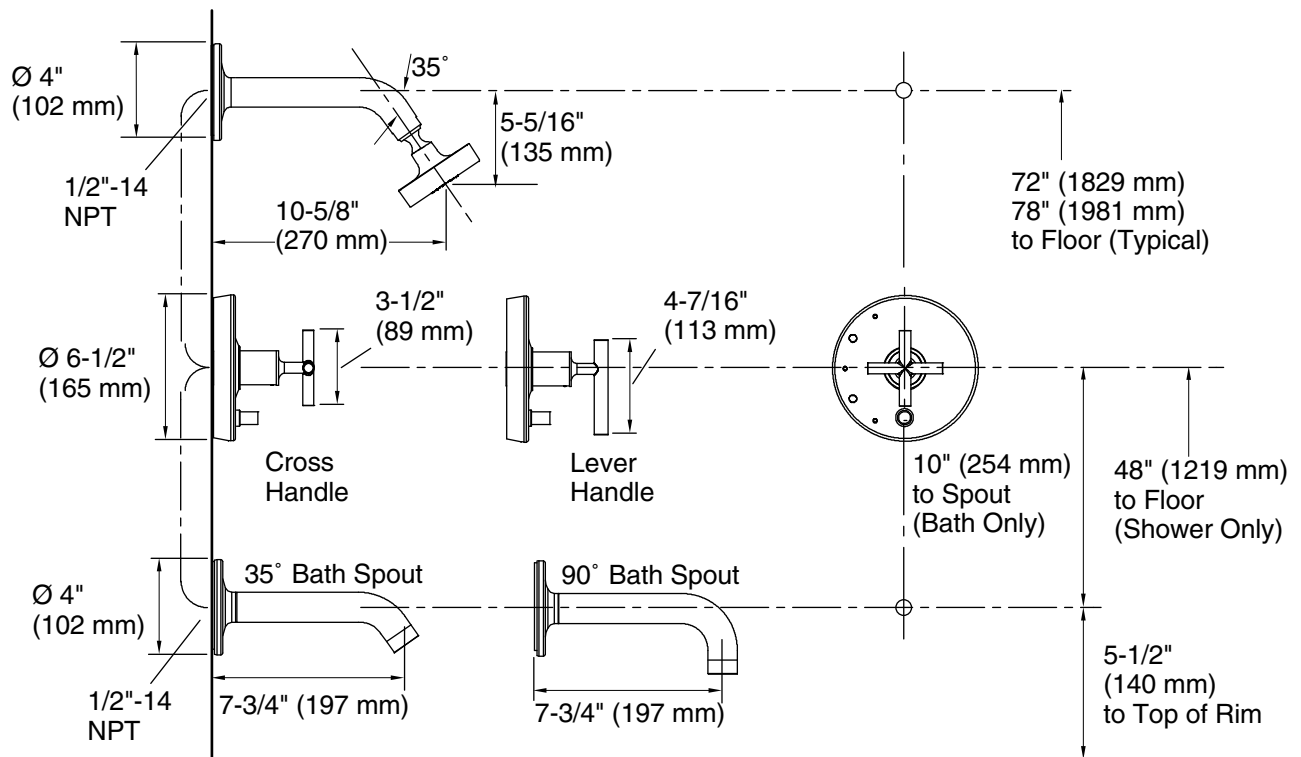
NOTICE: Risk of product damage. Long screws, for installing trim, can damage the K-2971-KS valve. Consult the trim installation guide to verify if the thin wall installation kit (88526) is needed.

Install this product according to the installation guide.

Avoid cross-flow conditions. Do not install shut-off device on either valve outlet.

Cap shower outlet if deck-mount spout, diverter, or handshower is connected to spout outlet.

Install straight pipe or tube drop of 7" (178 mm) to 18" (457 mm) with single elbow between valve and wall-mount spout.



Product Diagram