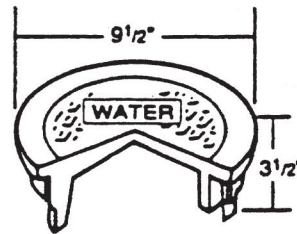


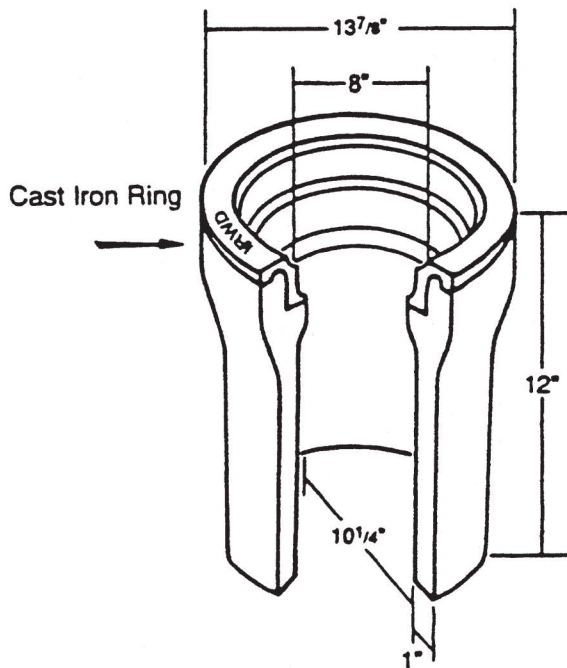
714 South Fee Ana St., Placentia, CA 92870
 (714) 993-1706 • FAX (714) 993-6197

10 Valve Box Series
 10¹/₄" I.D.

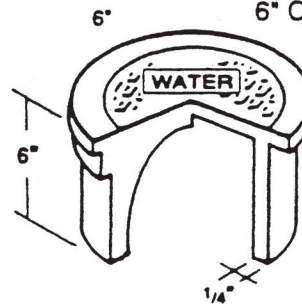
W10VC
 Cast Iron Cover
 13 lbs.



W10VB
 Valve Box
 75 lbs.



W106C
 6" Cast Iron Cover
 28 lbs.



STANDARD VALVE BOX MARKINGS:

- IRWD
- YLWD
- BLANK

SPECIAL MARKINGS ON REQUEST

STANDARD COVER MARKINGS:

- C.O.
- Ground
- Reclaimed Water
- Sewer
- Water
- Blank

SPECIAL MARKINGS ON REQUEST