

# Bronze Ball Valves

Two-Piece Body • Full Port 1/4"-1" • Conventional Port 1 1/4"-3" •  
Bronze Trim • Blowout-Proof Stem

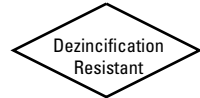
**600 PSI/41.4 bar non-shock cold working pressure**  
**150 PSI/10.3 bar saturated steam\***

CONFORMS TO MSS SP-110

## MATERIAL LIST

PART	SPECIFICATION
1. Handle Nut	Zinc Plated Steel
2. Handle	Zinc Plated Steel Clear Chromate Plastisol Coated
3. Threaded Pack Gland	Brass ASTM B 16 Alloy C36000
4. Packing	PTFE
5. Stem	Silicon Bronze ASTM B 371 Alloy C69430 or ASTM B 99 Alloy C65100
6. Thrust Washer	Reinforced PTFE
7. Ball	Brass ASTM B 124 Alloy C37700 or ASTM B16 Alloy C36000 EACH with Hard Chrome Plate
8. Seat Ring (2)	Reinforced PTFE
9. Body	Cast Red Bronze ASTM B 584 Alloy C84400
10. Body End Piece	Cast Red Bronze ASTM B 584 Alloy C84400

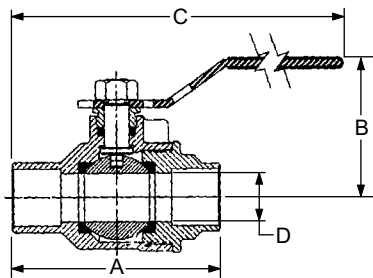
1/4" size only has a 304 stainless steel grounding washer.



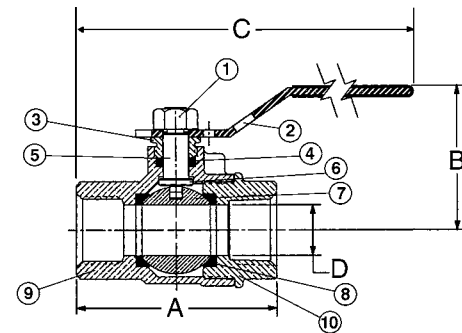
**T-580-70**  
Threaded



**S-580-70**  
Solder



**S-580-70**  
C x C



**T-580-70**  
NPT x NPT

## DIMENSIONS—WEIGHTS—QUANTITIES

Size	Dimensions												T-580-70		S-580-70		Master Ctn. Qty.	
	A	A	B	C	C	D	Lbs.	Kg.	Lbs.	Kg.	Lbs.	Kg.						
† 1/4	8	2.00	51	1.75	44	1.75	44	5.00	127	4.75	121	.38	10	.45	.21	.42	.19	100
† 3/8	10	2.00	51	1.84	47	1.75	44	5.00	127	4.81	122	.38	10	.45	.21	.42	.19	100
† 1/2	15	2.44	62	2.56	65	1.88	48	5.19	132	5.25	133	.50	13	.64	.29	.60	.27	100
† 3/4	20	2.94	75	3.25	83	2.25	57	6.25	159	6.25	159	.75	19	1.33	.60	1.27	.58	50
† 1	25	3.34	85	3.75	95	2.38	60	6.44	164	6.63	168	1.00	25	1.79	.81	1.72	.78	40
1 1/4	32	3.94	100	4.00	102	2.63	67	6.75	171	6.75	171	1.00	25	2.17	.98	1.78	.81	20
1 1/2	40	4.31	109	4.44	113	3.00	76	8.88	226	9.00	229	1.25	32	3.27	1.48	2.87	1.30	20
2	50	4.63	118	5.50	140	3.16	80	9.06	230	9.50	241	1.50	38	5.09	2.31	4.60	2.08	10
2 1/2	65	5.84	148	7.28	185	3.50	89	9.66	245	10.38	264	2.00	51	8.25	3.74	8.18	3.71	6
3	80	7.09	180	8.78	223	4.41	112	11.53	293	12.38	314	2.50	64	15.65	7.10	14.86	6.74	4

† NIBCO supplies full port T or S-585-70 on this size.

Note: solder end is designed to be soft-soldered into lines using solders with the melting point not exceeding 500°F. Higher temperature solders will damage the seat material. See installation sheet packaged with valves.

♦ For detailed operating pressure, refer to pressure temperature chart on page 42.

\*Weighted average lead content ≤ 0.25%

**LEAD FREE\*  
OPTION  
AVAILABLE**

**OXYGEN  
SERVICE  
OPTION  
AVAILABLE**

Visit our website for the most current information.