



# PRECISION PLUMBING PRODUCTS, INC.

MEETS A.S.S.E. STANDARD 1066



UNITED STATES TESTING COMPANY, INC.

TS91-0293



ISO 9001: 2000  
QUALITY CERTIFIED



PPP TEMPERA VALVE

## INSTALLATION INSTRUCTIONS

The Tempera Valve is a highly sensitive pressure balancing valve that holds a selected water temperature to within  $\pm 3^\circ$  F degrees. It responds instantly to all line pressure loss on either the hot or cold side.

Tempera Valves may be installed in any position or at any angle. They must be installed ahead of the control valve(s). The flow pattern is indicated by arrows imprinted in the valve body.

Tempera Valves should be provided with some type of access for servicing if necessary.

Avoid high temperatures in direct contact with the valve body.

The internal parts of the Tempera Valve are stainless steel with only one moving part. The pressure differential sensing piston is constantly responding to any system pressure changes.

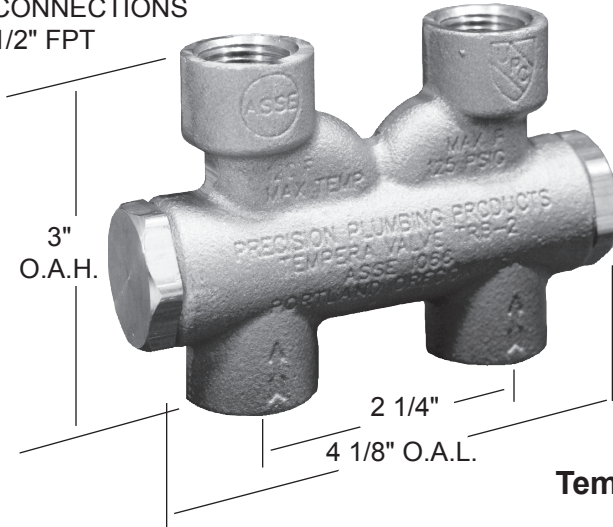
We require only Teflon tape be used for the female N.P.T. pressure connection. Pipe dope and liquid thread sealants will affect the balance valves operation. Failure to follow these instructions will void any product warranty.

**The Tempera Valve was cold water supply failure tested and reduced flow to 0.5 gpm in one (1) second.**

[www.pppinc.net](http://www.pppinc.net)

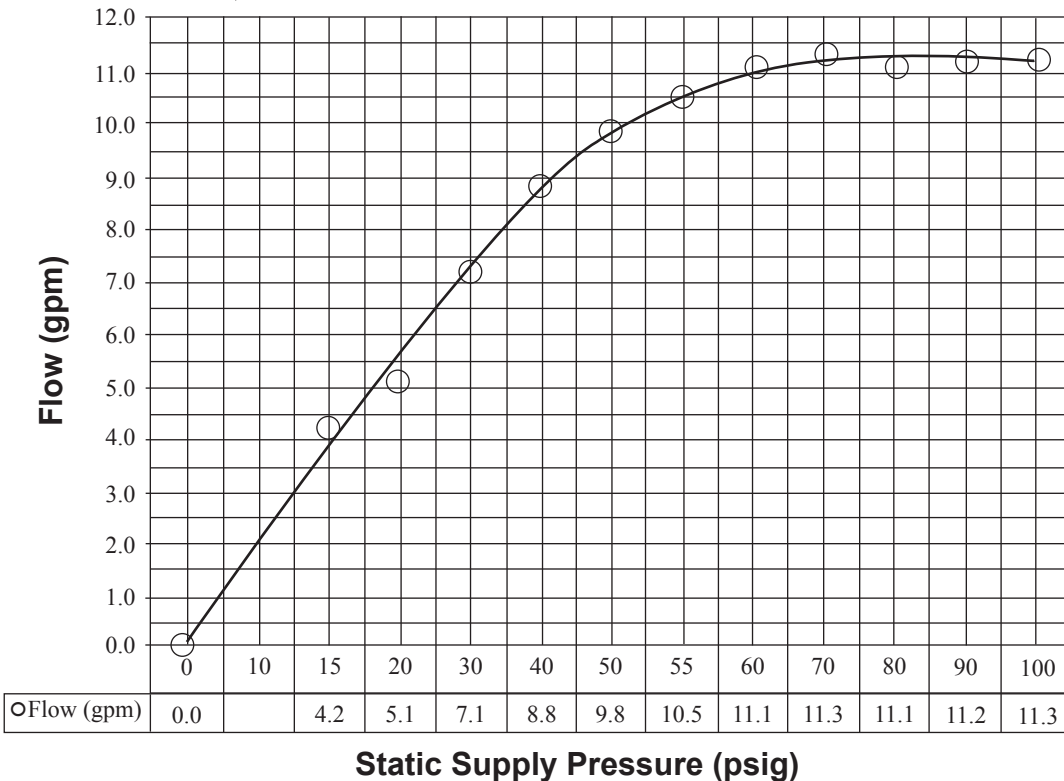
## TEMPERA VALVE

CONNECTIONS  
1/2" FPT



Prevents Thermal Shock

## Tempera Valve Flow Rate



“Specify with confidence - Install with pride”.<sup>®</sup>

### PRECISION PLUMBING PRODUCTS

Division of JL industries, inc.

Airport Business Center • 6807 N.E. 79th Court Suite E

Portland, Oregon 97218 • (503) 256-4010

FAX: (503) 253-8165



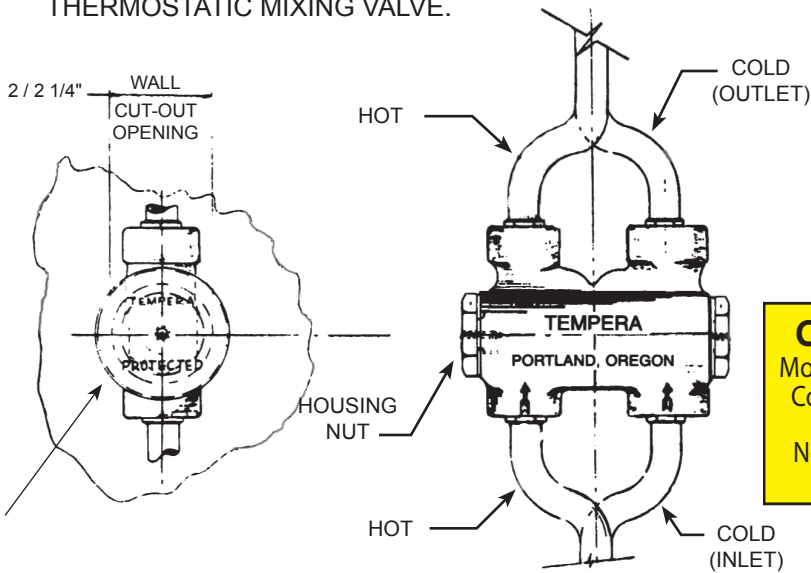
# TEMPERA<sup>®</sup> VALVE

## SPECIFICATIONS INSTALLATION INSTRUCTIONS

THE TEMPERA AUTOMATIC PRESSURE COMPENSATING VALVE WAS PERFORMANCE TESTED BY UNITED STATES TESTING COMPANY, INC. AND WAS FOUND TO COMPLY WITH THE REQUIREMENTS OF A.S.S.E STANDARD 1066 FOR INDIVIDUAL IN-LINE PRESSURE BALANCING VALVES.

THE TEMPERA VALVE IS INTENDED TO BE USED WITH EXTERNAL DOWNSTREAM HOT AND COLD WATER FLOW CONTROL VALVES. THE TEMPERA VALVE IS NOT A THERMOSTATIC MIXING VALVE.

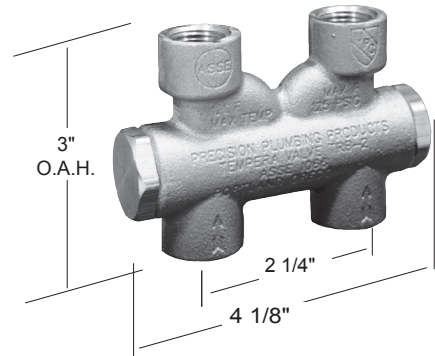
**TUV** USA  
**ISO 9001: 2000**  
 QUALITY CERTIFIED



Part Number TRB-2 Rough Brass  
 Part Number TCP-2 Polished Chrome

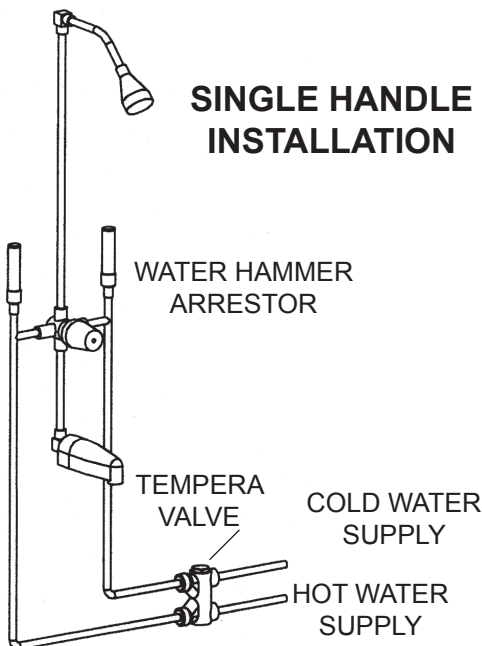
**CAUTION:**  
 Model Plumbing Codes Require Hot Water Not To Exceed 120°F.

CONNECTIONS  
 1/2" FPT

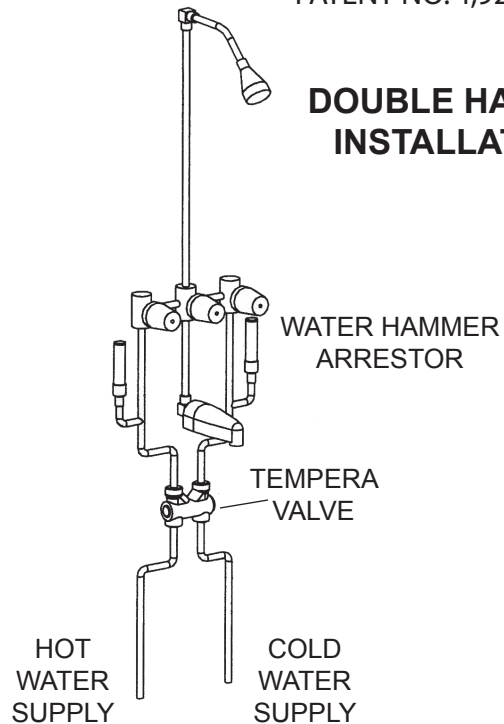


*Inlet check valves are required.*

PATENT NO. 4,926,897



### SINGLE HANDLE INSTALLATION



### DOUBLE HANDLE INSTALLATION